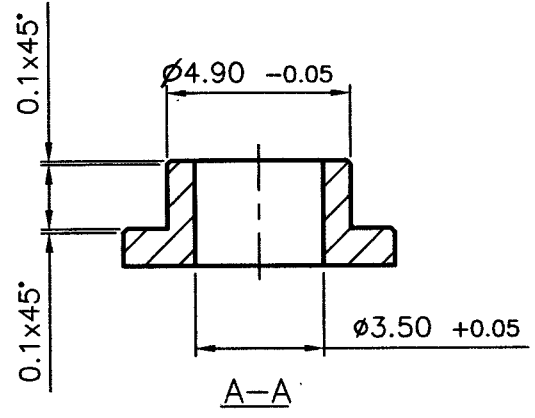
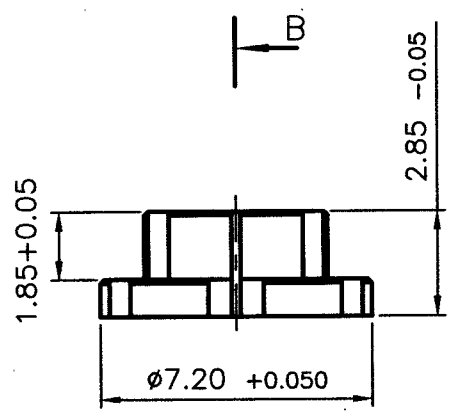
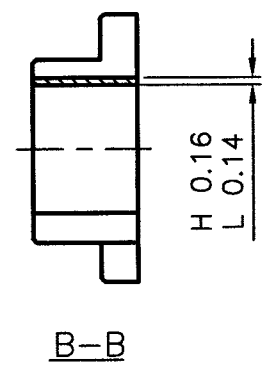
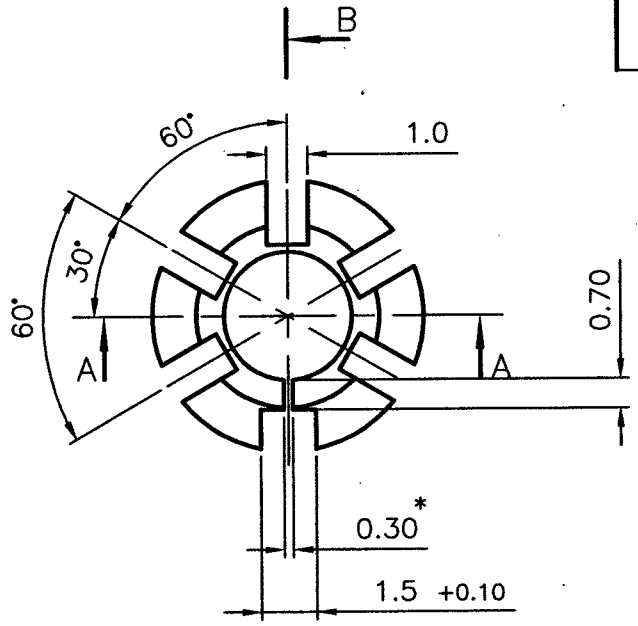


DRG. NO : FS-2479 A

TOLERANCE ON UNTOLERATED DIMNS. ARE AS PER IS: 2102, MEDIUM CLASS

PROVISIONAL

A M E N D M E N T S			
REV.	DATE	DESCRIPTION	SIGN.
A 249 2014	20/10/14	CHROMATED SPECIFICATION IS: 11232-1985 CLASS-3. ADDED. DRG. ADV. TO 'A'	<i>[Signature]</i> S.DIR/ ODC



* SLIT AFTER ALL OPERATIONS AND INSPECTIONS.

MATERIAL: AL. ALLOY: SPECN.
BS 1474:1987 Grade 2014A
IN T6 CONDITION
CHROMATED TO IS: 11232-1985, CLASS-3
BURRS/SHARP EDGES NOT PERMITTED.

3.2

DIMENSIONS ARE IN mm			MATERIAL : AS ABOVE		ORDNANCE FACTORY AMBAJHARI
THIRD ANGLE PROJECTION			NOMENCLATURE :		
SCALE : 5 : 1			SAFETY LOCK		DRG. NO : FS-2479 A
2004	NAME	DATE			SHEET NO : 1
DRAWN	<i>Primal</i>	02/03/04			NO. OF SHEETS : 1
TRACED					OPERATION NO :
CHECKED	<i>Primal</i>	03/03/04	MACHINE :	COMPT. : FUZE M859	
JWM/CDD	<i>Primal</i>	03/03/04	STORE :		
APPVD.	JGM/R&D	<i>[Signature]</i>	AMMN. 20mm AMR SAPHEI		