

UN CONTROLLED COPY
CERTIFIED CORRECT COPY OF APPROVED
DRAWINGS AT THIS DATE: 21/05/2018
DESIGN & DRAWING OFFICE, 620 016,
ORDNANCE FACTORY, TIRUCHIRAPPALLI

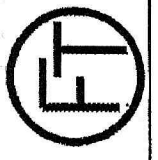
Front
K-2043 Insert

SECTION B-B

DA.No. 17/22	SIG.
DI. 18/02/22	& DATE
DA.No. 02/21	
DI. 06/01/21	
DA.No. 24/19	
DI. 24/7/19	
Sl. No. (ir)	
AMENDMENTS	

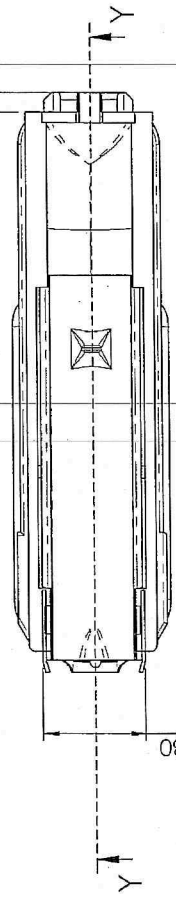
Material:
 ③ 30% Glass Fibre Reinforced Polyamide
 Nylon-6 (or) 66
 Melting Point Not less than 200 Deg.C
 Finish:
 Black Matt Finish
 Untolerated Dimens. as per IS:2102 (MED)

SIGNATURE & DATE.	SCALE NTS
TRACED	QPG 1
DRAWN	Weight (g)
CHECKED	DRG. No.: TAR-K-2041 *43
OIC/D&DO	DES. REF. NO. K-2041
OFFICER/PRODN.	ORDNANCE FACTORY TIRUCHIRAPPALLI-16.
DIV. OFFICER/D&DO	SHEETS: 1
APPROVED ON. 17/09/2018	SHEET No.: 1

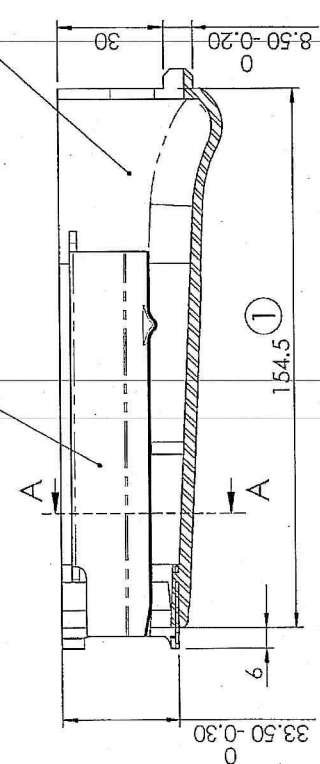


6 5 4 3 2 1

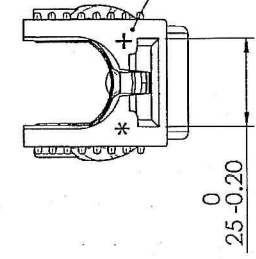
Untolerated dimensions are as per IS:2102(Med)



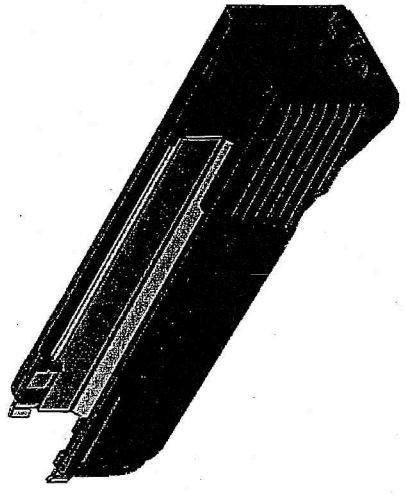
K-2042*3 Reflector



SECTION Y-Y



SECTION A-A



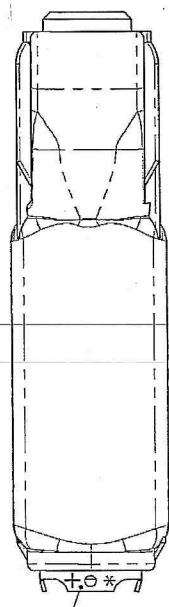
⑤

MARKING:-

- * MANUFACTURER CODE
 - + BATCH / YEAR OF MANUFACTURE
 - ⑦ ENGRAVING DEPTH 0.3mm & HEIGHT 3mm
- (Marking may be done either by Engraving or by Laser on the Location mentioned)

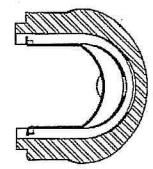
LOCATION FOR LASER MARKING

⑦



UN CONTROLLED COPY
 CERTIFIED CORRECT COPY OF APPROVED DRAWINGS AS THIS DATE 12.01.22
Handwritten signature
 DESIGN & DRAWING OFFICE,
 ORDNANCE FACTORY, TIRUCHIRAPPALI - 620 015

2	K-2042*3 Reflector	1
1	K-2041*3 Lower Hand Guard	1
ITEM NO.	PART NUMBER	QTY.



SECTION A-A

④	DA.No.02/21 Dt.: 06/01/21	③	DA.No.48/20 Dt.: 17/8/2020	②	DA.No.47/20 Dt.: 10/8/2020	①	DA.No.24/19 Dt.: 24/7/2019	SIGN & DATE	DWG Details	
									3rd Angle	SIGN DATE
									FOR: General Assy.	Scale NTS
									PROJ.: TRICHY ASSAULT RIFLE	All Dimensions are in mm
									Design Ref K-2040	
									DWG. No.: TAR-K-2040*7	A4 QPG-1
									ORDNANCE FACTORY TIRUCHIRAPPALI-16.	Wt. (Appx) gm
									APPROVED ON. 17/09/2018	SHEET: 1 OF 1

6

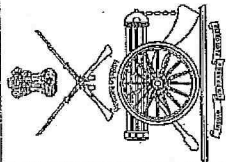
5

4

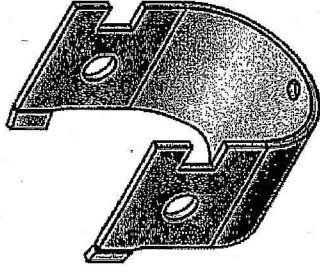
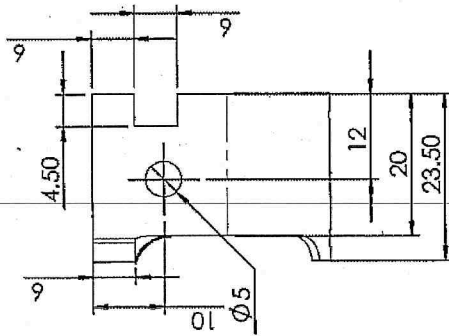
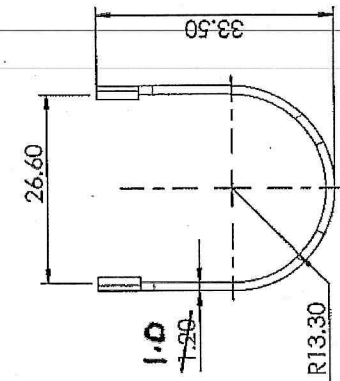
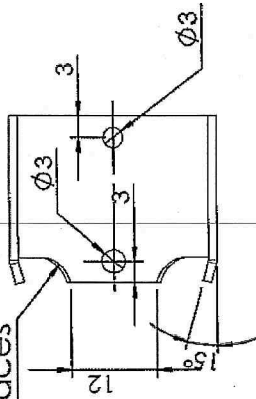
3

2

1



R5
4-Places



Material : Steel Sheet 1.0 mm
 BS:1449 Pt.1 1983 Gr. CS40 Sec-4
 (or) BS:1449 Pt.1 1983 Gr. CS50 Sec-4
 (or) BS:1449 Pt.1 1983 Gr. CS60 Sec-4
 (or) BS:1449 Pt.1 1983 Gr. CS70 Sec-4
 (or) BS:1449 Pt.1 1983 Gr. CS80 Sec-4

Hardened and Tempered to : 300-375 HV

Protective Finish :
 Accelerated Phosphating to Specn.
 0465-01-1994 Class II Oil Finish

Blunt Sharp Edges to 0.4 R

UN CONTROLLED COPY

CERTIFIED CORRECT COPY OF APPROVED
 DRAWINGS AT THIS DATE 07/05/2020

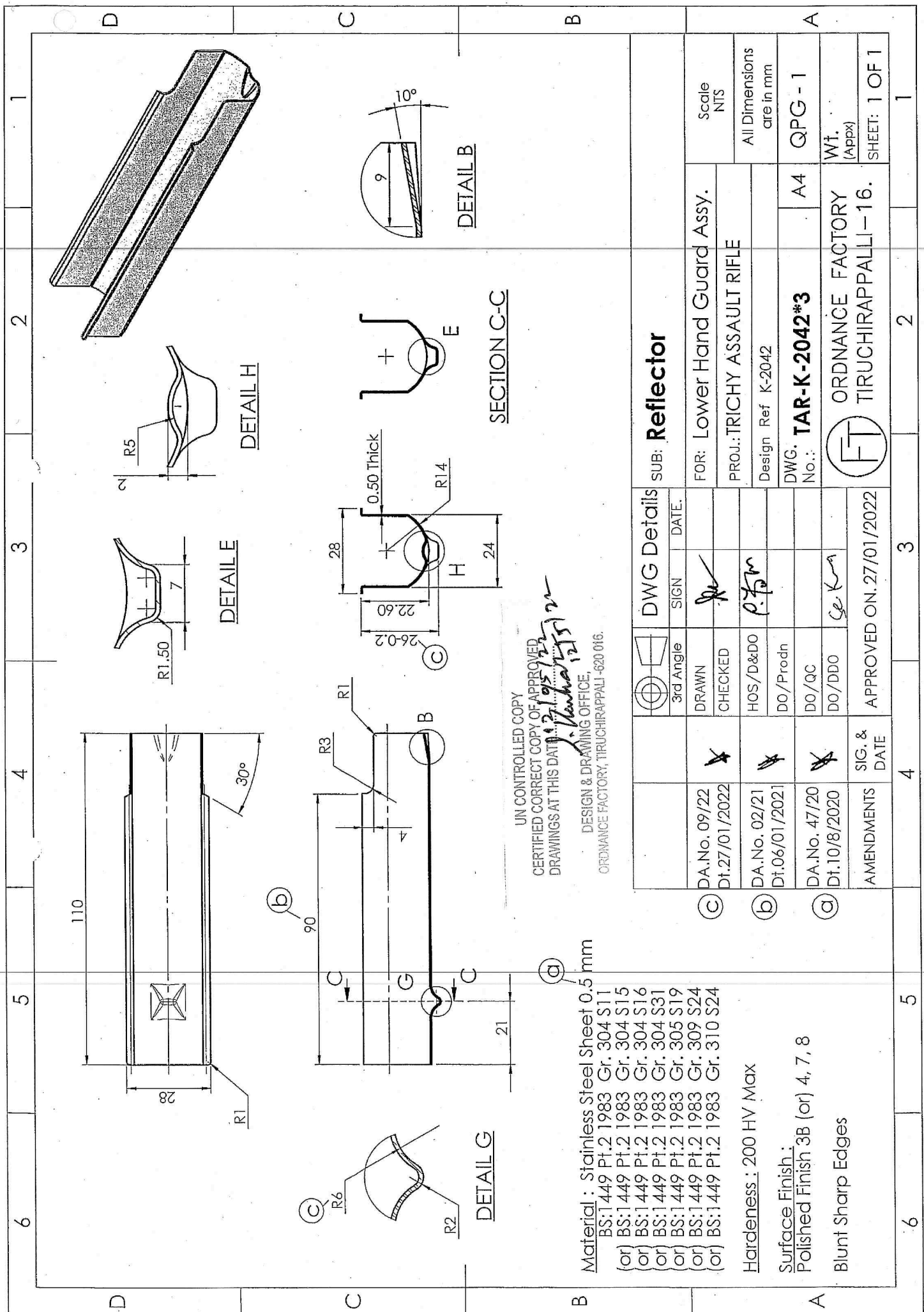
DESIGN & DRAWING OFFICE,

ORDNANCE FACTORY, TIRUCHIRAPPALI - 620 016.

Signature
 07/05/2020

AMENDMENTS & DATE
 DA.No. 48/20
 Dt. 17/18/2020

TRACED DRAWN CHECKED OIC/D&DO OFFICER/ PRODN. DIV. OFFICER/ D&DO APPROVED ON. 17/09/2018	SIGNATURE & DATE.		SUB: Front Insert FOR: Lower Hand Guard OF: TRICHY ASSAULT RIFLE DES. REF. NO. K-2043 DRG. No.: TAR-K-2043 * ORDNANCE FACTORY TIRUCHIRAPPALI-16.	SCALE NTS
	<i>P. Forth</i> <i>Se K A</i>			Weight (g) QPG 1
DA.No. 48/20 Dt. 17/18/2020		SHEETS: 1 SHEET No.: 1		



UN CONTROLLED COPY
 CERTIFIED CORRECT COPY OF APPROVED
 DRAWINGS AT THIS DATE: 21/05/2022
(Signature)
 DESIGN & DRAWING OFFICE,
 ORDNANCE FACTORY, TIRUCHIRAPPALI - 620 016.

Material : Stainless Steel Sheet 0.5 mm
 BS:1 449 Pt.2 1983 Gr. 304 S11
 (or) BS:1 449 Pt.2 1983 Gr. 304 S15
 (or) BS:1 449 Pt.2 1983 Gr. 304 S16
 (or) BS:1 449 Pt.2 1983 Gr. 304 S31
 (or) BS:1 449 Pt.2 1983 Gr. 305 S19
 (or) BS:1 449 Pt.2 1983 Gr. 309 S24
 (or) BS:1 449 Pt.2 1983 Gr. 310 S24

Hardness : 200 HV Max
Surface Finish :
 Polished Finish 3B (or) 4, 7, 8
 Blunt Sharp Edges

DWG Details		SUB: Reflector		Scale NTS	
3rd Angle	SIGN	DATE	FOR: Lower Hand Guard Assy.		
<input checked="" type="checkbox"/>	<i>(Signature)</i>		All Dimensions are in mm		
DRAWN			PROJ.: TRICHY ASSAULT RIFLE		
CHECKED			Design Ref K-2042		
HOS/D&DO			DWG. No.: TAR-K-2042*3		
DO/Prodn			A4		
DO/QC			QPG - 1		
DO/DDO			Wt. (Appx)		
AMENDMENTS	SIG. & DATE	APPROVED ON. 27/01/2022	ORDNANCE FACTORY TIRUCHIRAPPALI-16.		
(c) DA.No. 09/22 Dt.27/01/2022	<i>(Signature)</i>		SHEET: 1 OF 1		
(b) DA.No. 02/21 Dt.06/01/2021	<i>(Signature)</i>				
(a) DA.No. 47/20 Dt.10/8/2020	<i>(Signature)</i>				