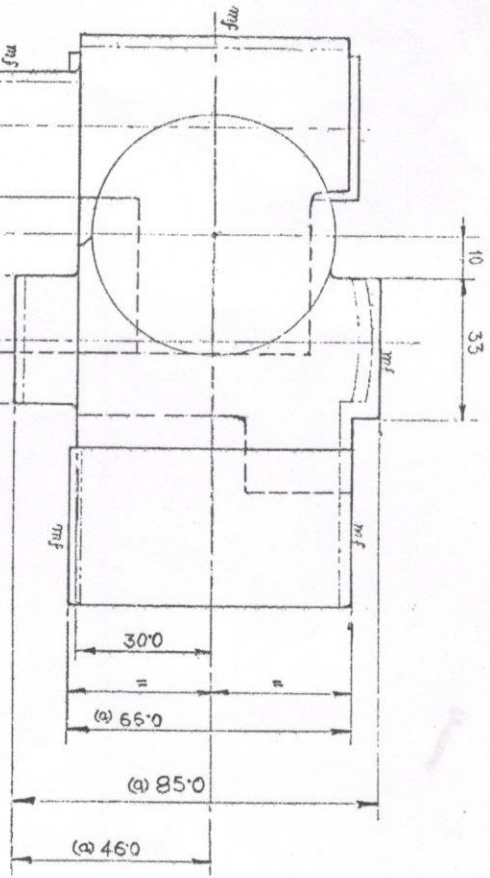


①

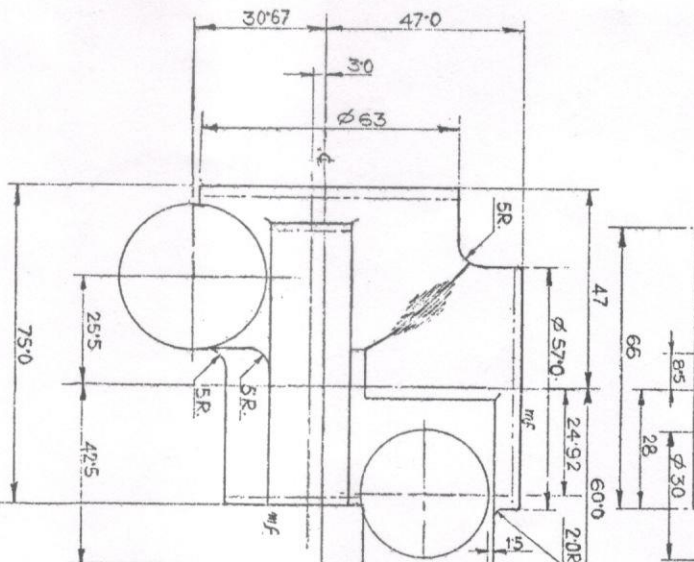


NOTE - (i) MACHINING ALLOWANCE IS INCLUDED IN THE DRAWING, BUT SHRINKAGE ALLOWANCE IS NOT INCLUDED IN THE DRAWING.

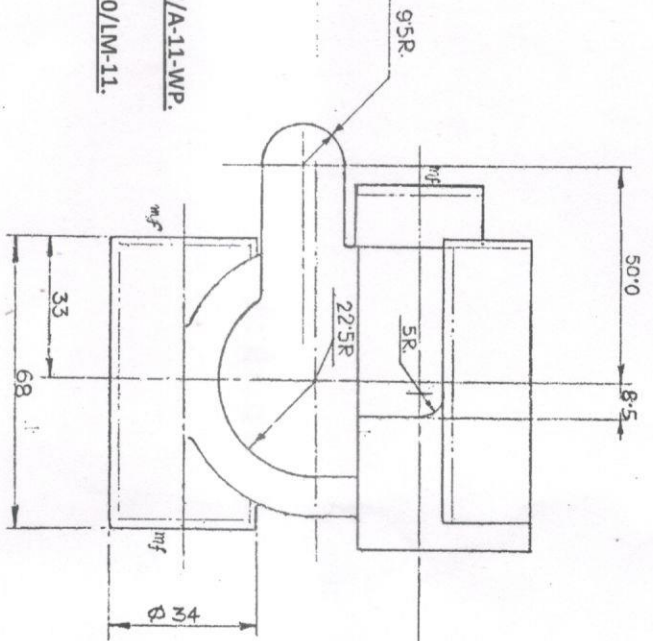
(ii) COMPONENT DRAWING SHOWN IN CHAIN DOTTED LINES

(iii) *m/f* INDICATES MACHINING.

(iv) ALL DIMENSIONS ARE IN MM.



(b) MATL :- ALUMINIUM ALLOY, IS:617/A-11-WP.
OR
ALUMINIUM ALLOY, BS:1490/LM-11.



FOR TRADE ONLY
Date of Issue 11/05/22

ORDNANCE FACTORY

DEHRADUN

DR. Sd+++ C.B. RAJU
TR. Sd++ C.B. RAJU
CH. Sd++ R.H. SINGH
Sd++ S.M. RAZDAN
D.G.M.

SIGHT UNIT CASSED 102A

BODY

(SAND CASTING)

ALTERNATIVE DESIGN OF IRDE-1076/1, IRDE-1076/3, & IRDE-1076/5

DRG. No. :-
MC/313 (ITEM No.-1)

DT :- 20.8.1975 SCALE :- NTS

MATL AS ABOVE TREAT AS ABOVE

SHEETS :- 1 SHEET No. :- 1

(b) D.A. No. - 53/2015, Dt. - 05/12/2015
(c) D.A. No. - 41/83, Dt. - 20/7/83
DIMNS. 56, 55&44 WERE 54, 53&45
AMENDMENTS
OFD/DO/002

DRAWING NO. :-
ODD/C/536/2