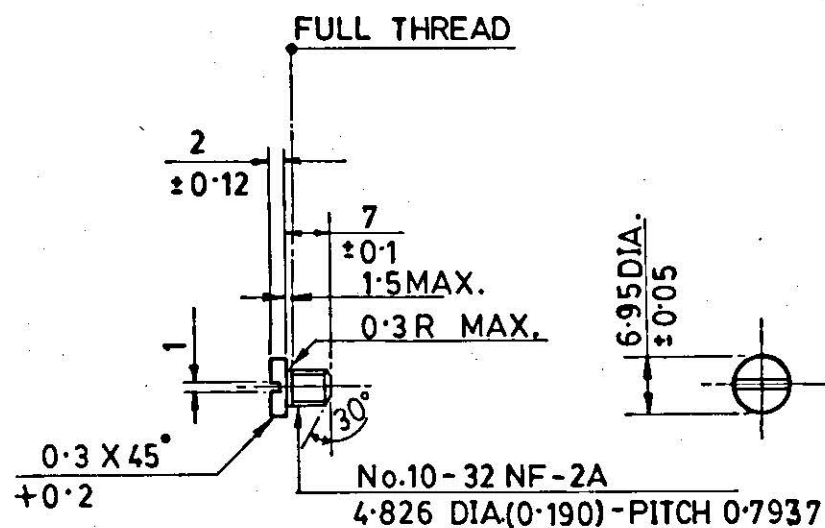
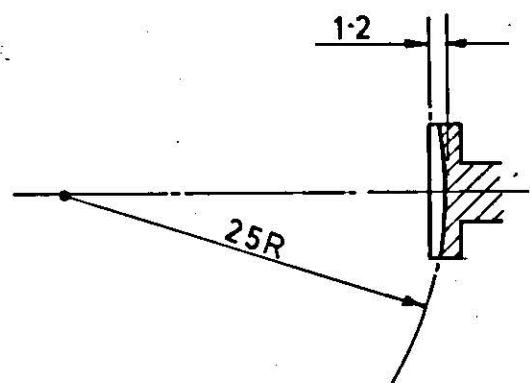


D.S.CAT. 5305-011218

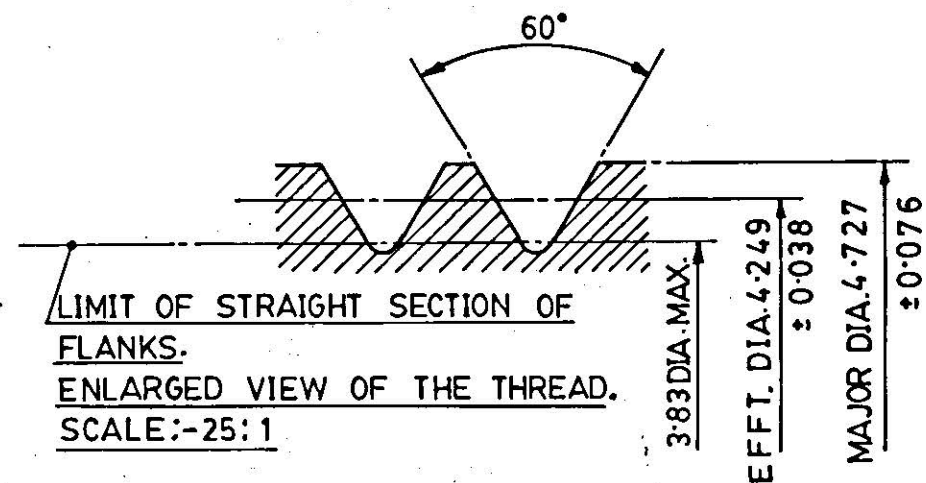
DIMNS. ARE IN m.m.



SURFACE FINISH
AS PER IS:3073,
EVERY WHERE SPECIFIED SHOULD BE W



SCALE:- 2:1



LIMIT OF STRAIGHT SECTION OF
FLANKS.
ENLARGED VIEW OF THE THREAD.
SCALE:-25:1

DC No. 27020-SA, DT. 28-01-2017 - MATERIAL AMENDED				DRN.	CHD.	TRD. <i>Datta</i>	COMP. <i>N. Banerji</i>	AHSP. CQA(SA), ICHAPUR
30.04.2002. 25349-SA RECORD OF RECEIPT CANCELLED AND DRG. SEALED AFRESH				SCALE:- 1:1, 2:1, 25:1		EST. MASS.		ASSY. 1005-006560, 1005-006565, 1005-006566.
14-7-2000 24775-SA PROFORMA CHANGED, SURFACE FINISH & DIMENSIONS AMENDED, IN ASSY. COLUMN D.S.CAT. NOS. ADDED, NEG. RE-TRACED AND DRG. RE-SEALED AS A RECORD OF RECEIPT.				<i>Ans</i> CD	<i>Mud</i> DAC	APPROVED. DT. 14-7-2000 <i>Anil</i> I/C.D.O.		NEG. RE-TRACED.
PREVIOUS D.C.Nos. 15606-SA, 21283-SA, 22698-SA, 22729-SA.				COPY	COPY	MATERIAL :- IS: 5517-1993 DESIGNATION 40C8.		DGNER'S REF.
DATE	AUTHY.	BRIEF RECORD	ZONE	I/C,D.O.	G.O.	H.T/HARDNESS :-		PART No. 3/01/1201/X00
SEALED :- D.C.No. 25349-SA DT. 30.04.2002.				SIGN.		PROTECTIVE PHOSPHATE TO SPECN. JSS:0465-01:1988		DRG.No. A 481
NOMENCLATURE SCREW MACHINE FOR PLUG OBTURATIVE HOLE FOR INFRARED RAY PROTECTOR SUPPORT SCREW.				FINISH:-		CLASS II (ACCELERATED), OIL FINISH.		D.S.CAT. 5305-011218 No.