

Washer 120φ --- 10; Item
Scheibe 120φ --- 10; Pos

Tube 69φ / 150φ --- 165 Item
Rohr 69φ / 150φ --- 165 Pos

Item
Pos. 4

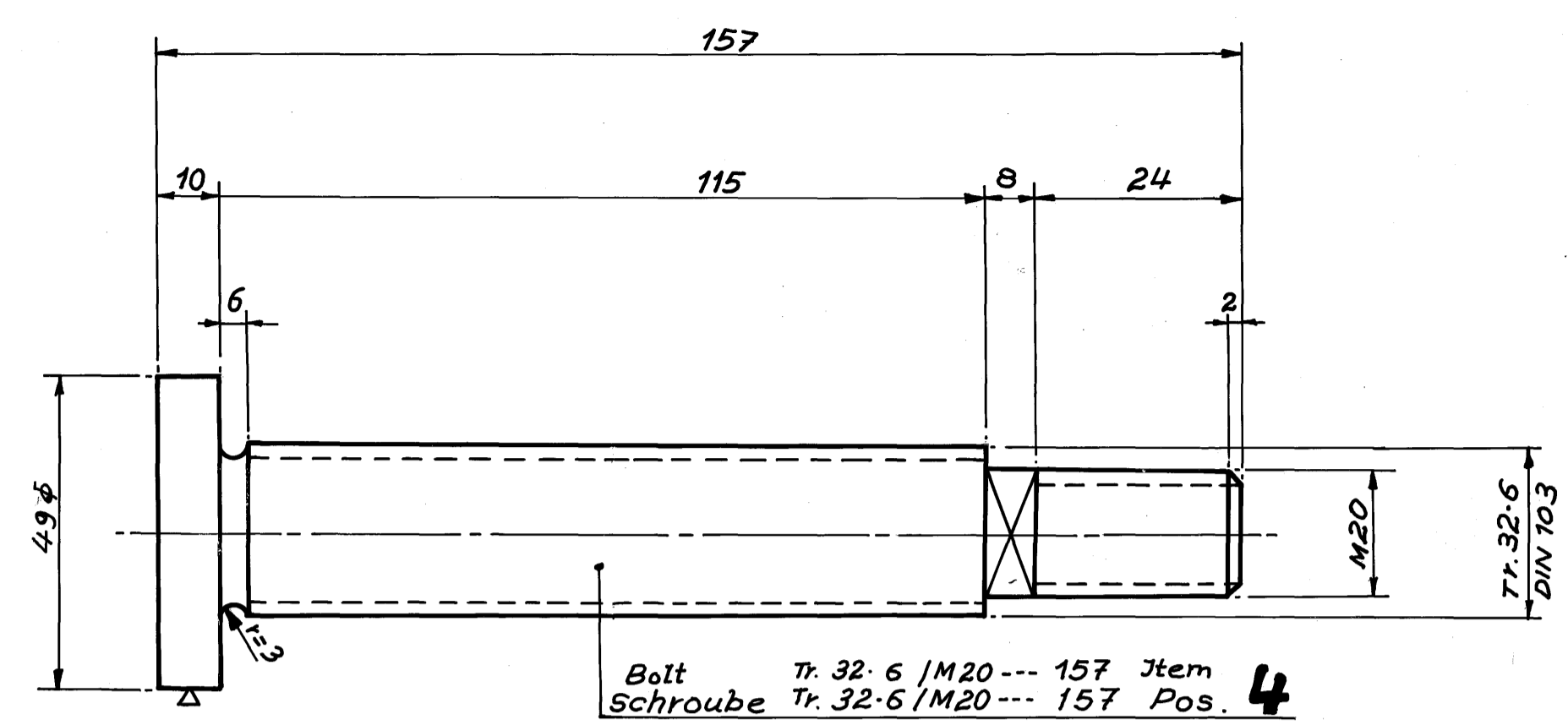
Item
Pos. 3

Hex nut M20 DIN 934 mg Item
Sechskantmutter M20 DIN 934 mg Pos. 5

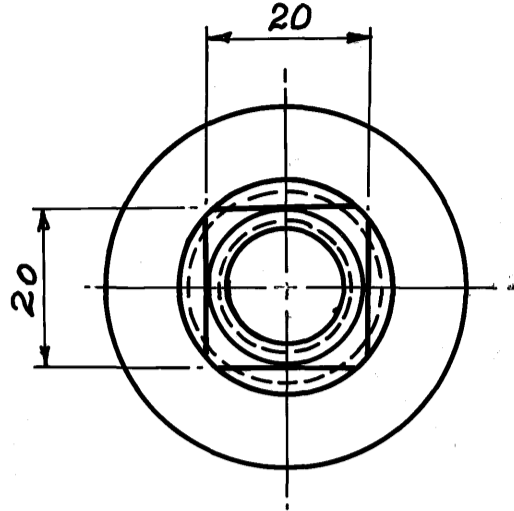
Lock nut M20 DIN 7967 Item
Sicherungsmutter M20 DIN 7967 Pos. 6
OR AS PER DRG. ISK-0354

Item
Pos. 1

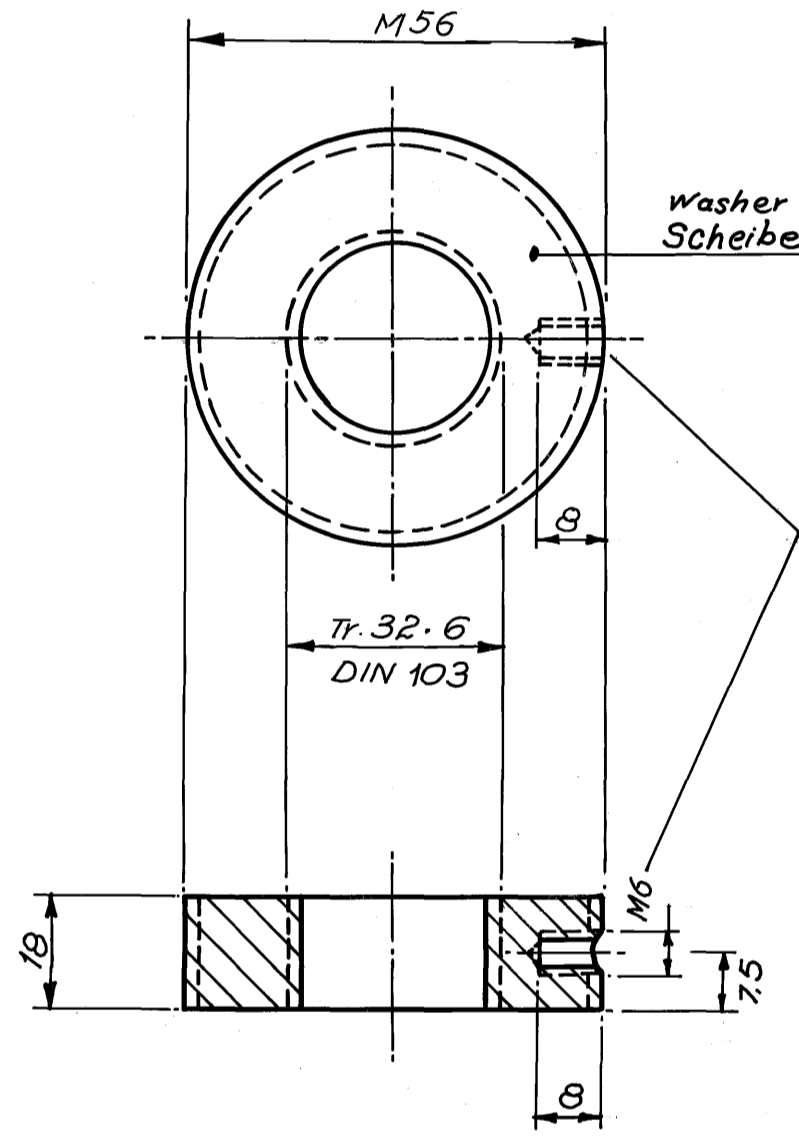
Threaded pin M6 x 15 DIN 551 Item
Gewindestift M6 x 15 DIN 551 Pos. 7
OR SCREW, GRUB, SLOTTED M6 x 16 AS PER
SPEC IS: 2388 TYPE A



Bolt Tr. 32.6 / M20 --- 157 Item
Schroube Tr. 32.6 / M20 --- 157 Pos. 4



Washer M56 / Tr. 32.6 --- 18 Item
Scheibe M56 / Tr. 32.6 --- 18 Pos. 3



Drill tap hole for threaded pin M6 from
boltard in washer Item 3
Gewindeloch für Gewindestift M6 vom
Poller aus in Scheibe Pos. 3 bohren.

Material: Item 1+2 Al Zn Mg 1
Bolt complete, Items 3+7 Cat No. 1240
Items 4+7 galvanized and chromated to 20-30mu
as per DIN 50951.
Curve all sharp edges
Grease all moving parts with Esso Rust-Bon No. 347
Weight as-finished 2,45kg

Material: Pos 1+2 Al Zn Mg 1
Schraube komplett Pos. 3+7 nach Katalog Nr. 1240
Pos. 4+7 galvanisch verzinkt und chromated out
20-30 Mue nach DIN 50951.
Alle scharfen Kerven Brecher.
Bewegliche Teile mit Esso Rust Bon Nr. 347 einfetten.
Fertig-Gewicht 2,45kg.

ES/14/326	D-5 GRUB SCREW NOTE ADDED. D-3 WORD TAP WAS TOPAFTER DRILL.	24-8-2008	C-7 ITEM NOS. NOTE OR AS PER DRG. ISK-0354 ADDED DRG. NO. ADVANCED TO/A.	DRG RETRACED. DATE 10-3-95	DRG PROVISIONALLY SEALED, DCC) No. ES/14/ 114 DATED ON 19-1-71	NATURE	SD/- SSO-II	SD/- SIGN	Art Name	Maßstab 1:1	Stil-Werknamen sind angewandt	Abteilung: Krupp-MAN	Baswerk: Light-Metal Float Bridge for India Leichtmetall-Schlauchbootbrücke für Indien	Zeichnungs-Nr. 14014	Blatt 14	1	2	4	0	8	5	8	1	0	4	14	A
-----------	---	-----------	--	-------------------------------	--	--------	----------------	--------------	-------------	----------------	----------------------------------	-----------------------------	---	-------------------------	-------------	---	---	---	---	---	---	---	---	---	---	----	---

RETRACED BY: [Signature] COMPD BY: [Signature] C'D/MAN: [Signature] 4-2-36