

P-4/69

DIRECTOR FIRE CONTROL NO. 7 MK-5 (CASED).

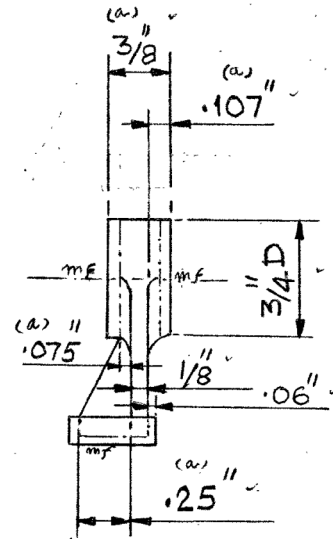
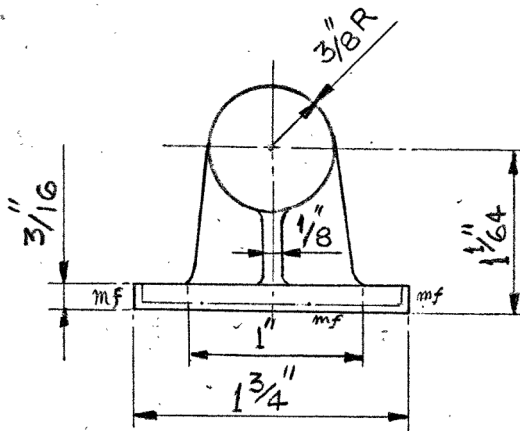
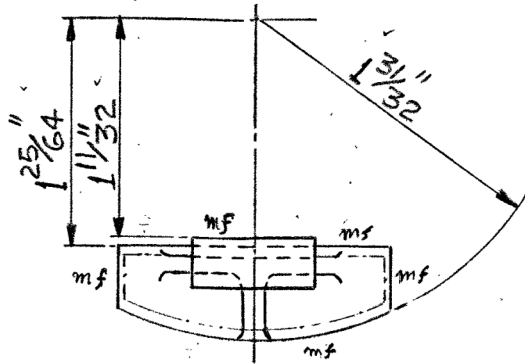
BEARING  
(CASTING DRAWING)

PART. NO. O.S. 12313

EXT. N<sup>o</sup> 9367DD.

THIRD ANGLE PROJECTION.

ODD/c/125/1



NOTE:- SHRINKAGE ALLOWANCES ARE NOT INCLUDED  
IN THE DIMENSIONS BUT MACHINING ALLOW-  
ANCES ARE INCLUDED.  
SURFACES MARKED 'f' TO BE MACHINED.  
COMPT. DRG. SHOWN IN CHAIN DOTTED LINES.

ORDNANCE FACTORY DEHRADUN

		D/7-4-63	SCALE: 1:1
		MATL.	TREAT.
(a) D.A. NO. 152/80 DIMNS 3/8 WAS 5/16 .075 WAS .08 & .107 & .25 ADDED	DR. Sd. A.K. GHOSH	GUNMETAL (NONMAGNETIC STA 7/662 IS-306 *	
	TR. Y.S. TOMARCH	REF. DRG. NO.	
	CH. Sd. G.L. JETHI	SHEETS- 1	SHEET NO. 1
* D.A. NO. 76/77	APPROVED	DRG. NO.	
AMENDMENTS.	VIDE C.I.I. NO. 081962	O.D.D/C/125/1	
	DATE- 20 5/63		