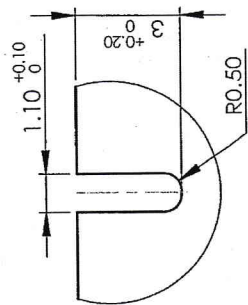
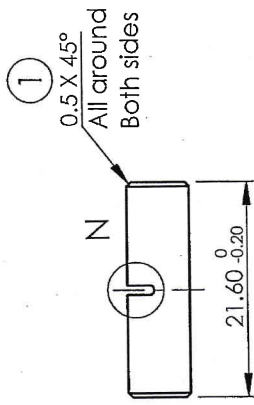


MIM S7 Composition

Element	C	Mn	Si	Cr	Ni	Mo	S	P
Min (%)	0.45	-	0.2	2.5	-	1.0	-	-
Max (%)	0.7	0.5	1.0	3.5	0.3	1.8	0.05	0.05



DETAIL N



Material: MIM S7

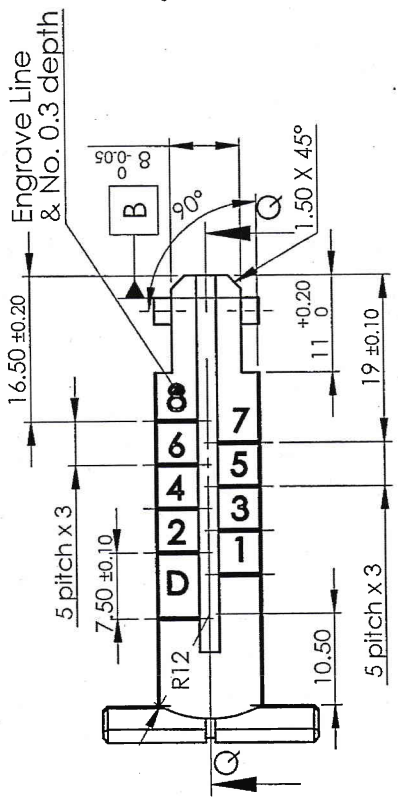
Hardness: 400-450 HV

Protective Finish: Black Oxide

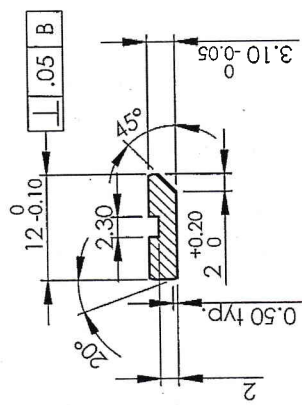
Untolerated Dimension IS:2102 Medium

MARKING:

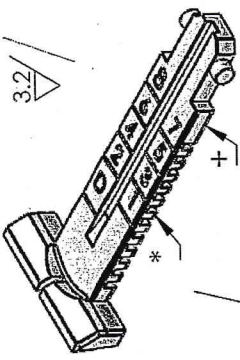
* Manufacturer Code
+ Batch / Year of Manufacture
Engraving Depth 0.1mm & Height 2.5 mm



SECTION Q-Q



SECTION M-M



CERTIFIED CORRECT COPY
 OF APPROVED DRAWINGS
 AT THIS DATE
 Design & Production Office
 Ordnance Factory,
 Tiruchirappalli-620016

UN CONTROLLED COPY

SCALE	NTS
	QPG 1
SUB: Rear Sight Leaf	FOR: Reciver Assy
	OF: TRICHY ASSAULT RIFLE
DES. REF. NO. K-2021	
DRG. MIM-K-2021-01	
No.:	ORDNANCE FACTORY TIRUCHIRAPPALLI-16.
SIGNATURE & DATE:	
TRACED	
DRAWN	
CHECKED	
OIC/D&DO	
OFFICER/PRDN.	
DIV.OFFICER/D&DO	
APPROVED ON:	
AMENDMENTS & DATE	
DA.No. 25/21	
Dt.: 23/03/21	
SIG.	

Weight (g)	16.07
SHEETS:	1
SHEET No.:	1