

D.C.(1)-1234-I(P), 5+24-I., 7128-I

ALS 24

АЧ8.934.008

-27-

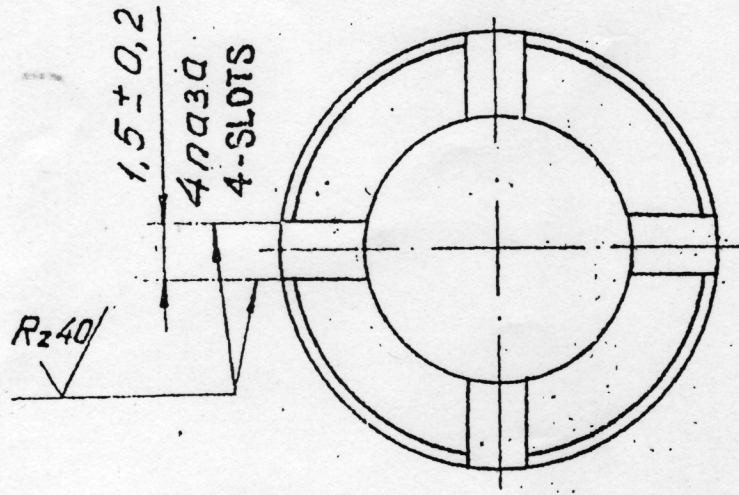
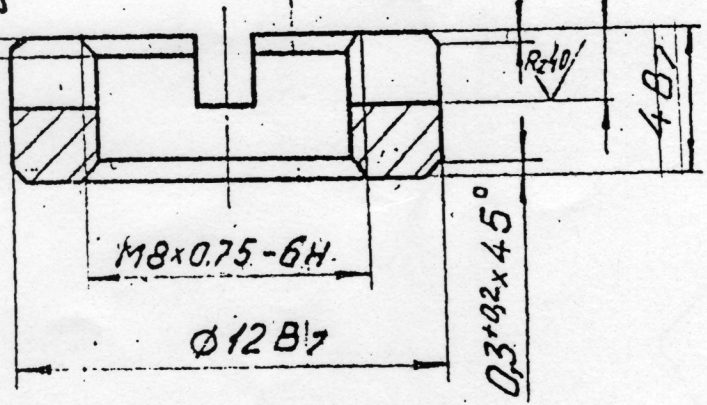
Rz20

Перв. примен.  
АЧ4.496.007

Справочный №

0,5<sup>+0,3</sup> x 45°  
2 ЧАМФЕРА  
2-CHAMFERS

0,3<sup>+0,2</sup> x 45°  
2 ± 0,2



FOR TRADE ONLY  
Date of Issue 24/02/2021  
Рож

Покрытие ЦБ.хр. (a) ALT. EQUIV. MATL.  
 COATING: ZINC PLATING 6 MICRONS WITH CHROMATISING.  
 IS: 4431-78, STEEL DESIGNATION: 14C14S14

UPDATED UP TO 31.5.89.00 (O.L.F.)

DRG. No. AU8.934.008 AL-5

ISSUE	DATE	REFERENCE	SHEET	MASS	SCALE
5.08.16	DC: 7128-I	ALT. EQUIV. MATL. ADDED	1 of 1	0.0017	5:1
5.10.90	D.C.(1)-5424-I	DRG. SEALED.			
3.12.87	D.C.(1)-1234-I(P)	DRG. PROV. SEALED			
APPROVED			MATERIAL: STEEL A12		
CHECKED			GOST 1414-75		
DRAWN			HEAVY VEHICLES FACTOR		
			AVADI		

ВЗН. ИЛ. № 145 № 2401. ПОДП. И ДАТА  
15333-29

ПОДП. И ДАТА  
ИЛ. № ПОДП.