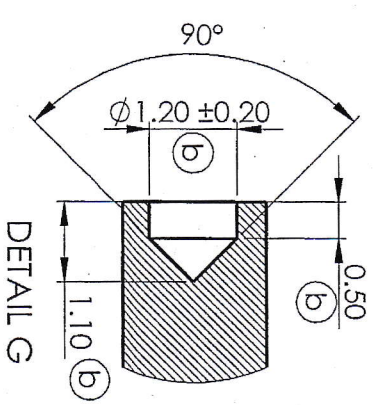
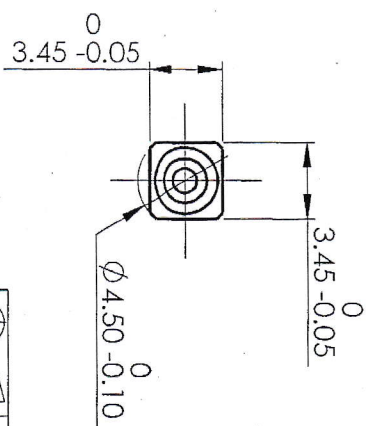
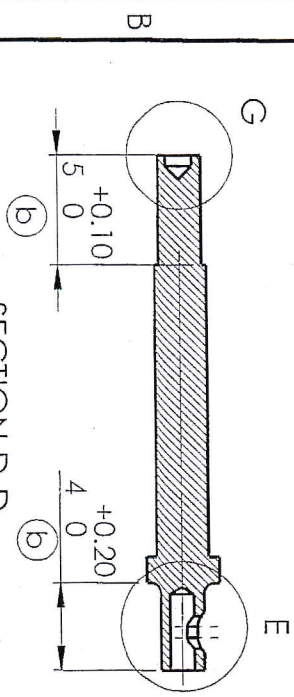
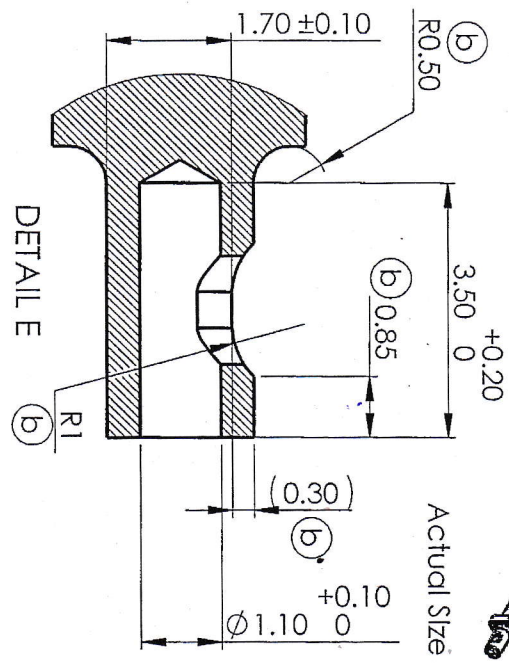
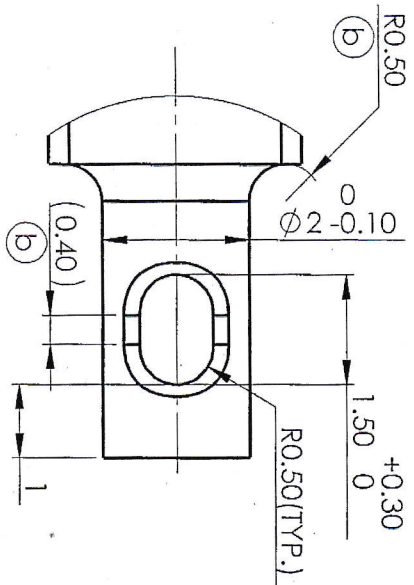
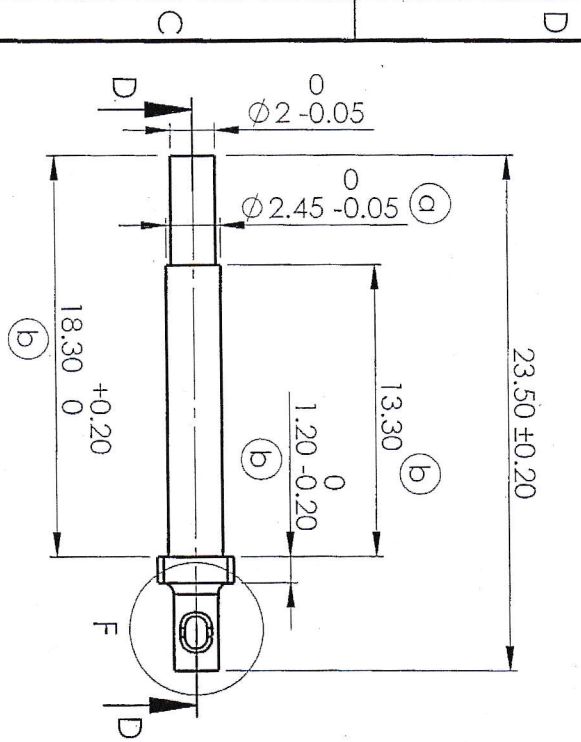




UN CONTROLLED COPY  
 CERTIFIED CORRECT COPY OF APPROVE  
 DRAWINGS AT THIS DATE: 21/06/23

DESIGN & DRAWING OFFICE  
 ORDNANCE FACTORY, TIRUCHIRAPPALLI-620 016



SECTION D-D

DETAIL F

DETAIL E

DETAIL G

**Material : Steel**  
 BS:970 Pt.1 1983 Sec.3 Gr.080 M40 (or) EN8  
 BS:970 Pt.1 1983 Sec.3 Gr.709 M40 (or) EN19  
 BS:970 Pt.1 1983 Sec.3 Gr.708 M40 (or) EN19A

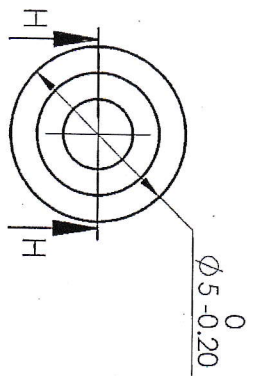
**Hardness: 30 - 35 HRC**

**Protective Finish :**  
 Phosphating to Specn. 0465-01-1994 Class II Oil Finish

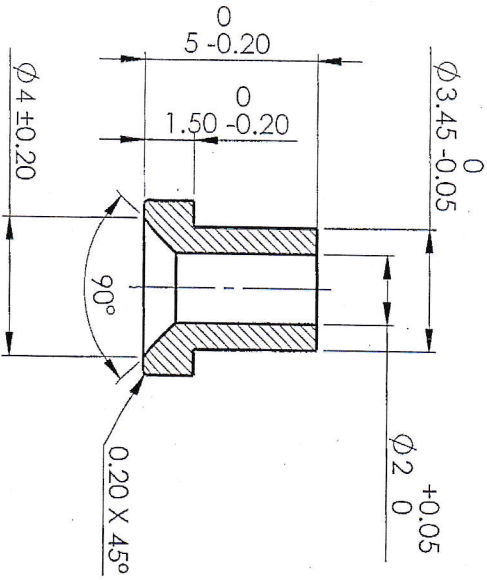
DA.No.:40/22	DA.No.:54/21	DA.No.:16/19	DA.No.:14/06/19	AMENDMENTS	SIG. & DATE	APPROVED ON: 01/05/2018	SCALE: NTS
Di.: 22/09/22	Di.: 12/11/21	Di.: 14/06/19	Di.: 14/06/19				1
TRACED	CHECKED	OIC/D&DO	OFFICER/PRODN.				Weight(g)
DRAWN			DIV/OFFICER/D&DO				
SUB: Front Sight	FOR: Front Sight Assy. (TFS)	OF: Trichy Assault Rifle	DES.REF.NO. K-1032	DRG. No.: TAR-K-1032*3	ORDNANCE FACTORY TIRUCHIRAPPALLI-16.	SHEETS: 1	SHEET No.: 1

6 5 4 3 2 1





Actual Size



SECTION H-H

UN CONTROLLED COPY  
 CERTIFIED CORRECT COPY OF APPROVED  
 DRAWINGS AT THIS DATE: 21/06/23  
 DESIGN & DRAWING OFFICE,  
 ORDNANCE FACTORY, TIRUCHIRAPPALLI-620 016.

**Material:** Steel  
 BS:970 Pt.1 1983 Sec.3 Gr.080 M40 (or) EN8  
 BS:970 Pt.1 1983 Sec.3 Gr.709 M40 (or) EN19  
 BS:970 Pt.1 1983 Sec.3 Gr.708 M40 (or) EN19A

**Hardness:** 30 - 35 HRC

**Protective Finish:**  
 Phosphating to Specn. 0465-01-1994 Class II Oil Finish

TRACED DRAWN CHECKED OIC/D&DO OFFICER/ PRODN. DIV/OFFICER/ D&DO	SIGNATURE & DATE	APPROVED ON. 01/05/2018	SUBJ: Sleeve Front Sight FOR: Front Sight Assy. (TFS) OF: Trichy Assault Rifle DES. REF. NO. K-1033 DRG. No.: <b>TAR-K-1033*</b>	SCALE NTS QPG 1 Weight(g) SHEETS: 1 SHEET No.: 1
	DA.No.: 40/22 Dt.: 22/09/2022	SIG. DATE		



ORDNANCE FACTORY  
 TIRUCHIRAPPALLI-16.

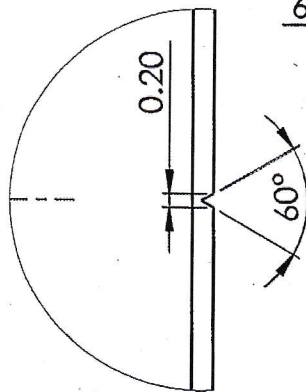
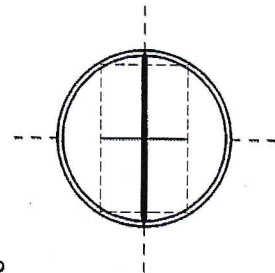
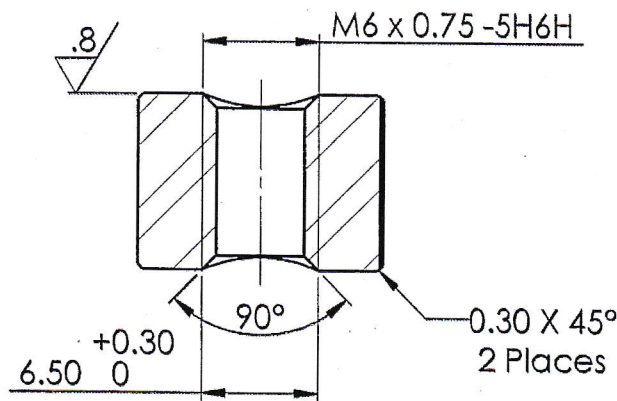
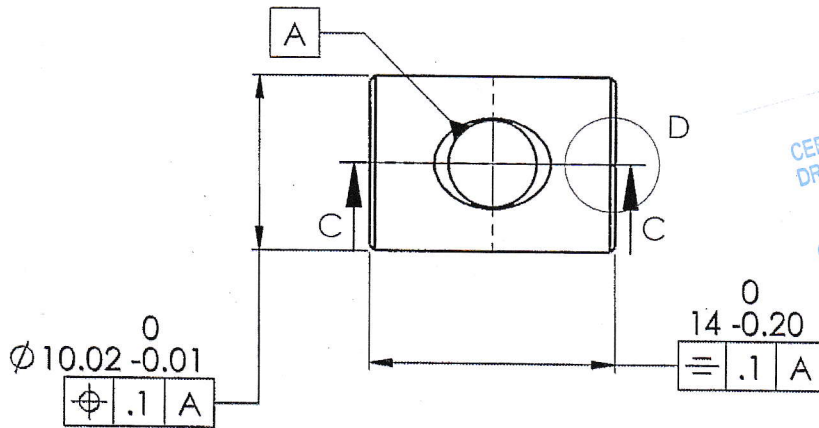
DIMENSIONS ARE IN mm.

UNTOLERATED DIMNS. AS PER IS : 2102 (MED)

MARK DRAWING No.



UN CONTROLLED COPY  
 CERTIFIED CORRECT COPY OF APPROVE  
 DRAWINGS AT THIS DATE: 21/06/23  
 DESIGN & DRAWING OFFICE,  
 ORDNANCE FACTORY, TIRUCHIRAPPALI - 620 016.



Material :

Steel

BS:970 Pt.1 1983 Sec.3 Gr.709 M40 (or) EN19

Alt. Matl.

BS:970 Pt.1 1983 Sec.3 Gr.708 M40 (or) EN19A

Hardness: 39 - 46 HRC

Protective Finish :

Accelerated Phospating to Specn. 0465-01-1994 Class II  
 Oil Finish

DA.No.:19/2023 (Sl.No.:2) Dt.:05/06/2023 AMENDMENTS	SIG. & DATE	SIGNATURE & DATE.	SUB: <b>Front Sight Adjusting Block</b>	SCALE NTS
		TRACED	FOR: Barrel Assy	QPG 1
		DRAWN <i>[Signature]</i>	OF: TRICHY ASSAULT RIFLE	Weight(g) 7.11
		CHECKED	DES. REF. NO. K-1023 / K-1023-EXP	SHEETS: 1
		HOS/D&DO <i>[Signature]</i>	DRG. No.: <b>TAR-K-1023*</b>	SHEET No.: 1
		DIV.OFFICER/ D&DO <i>[Signature]</i>	ORDNANCE FACTORY TIRUCHIRAPPALI-16.	
APPROVED ON. 05/06/2023				