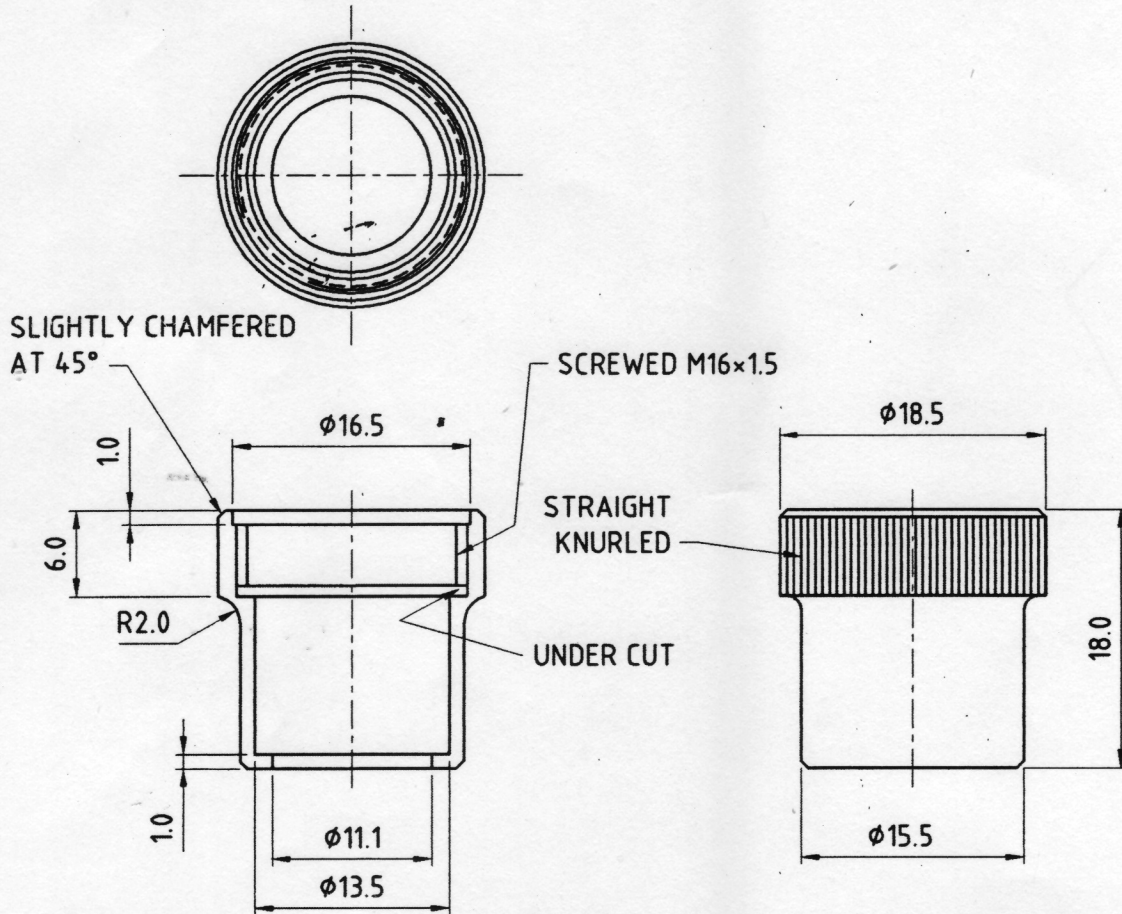


DEVICE F.C. ILLUMINATION 4A NUT, CLAMP

DRG. No. :- CII-187/1.

MCT-3111

ORDNANCE FACTORY, DEHRADUN.



MATL. :- BRASS HT 1 TO IS:320-1980.
FINISH :- TO BE DULL BRONZED BLACK TO IS:1378-1979.

FOR TRADE MARK
Date of Issue: 02/04/21
ajp

ALL DIMENSIONS ARE MM.
IMPORTANT DIMENSIONS MARKED THUS ●
INFORMATION MARKED THUS † TO BE MARKED ON.

	DR.- R.K.SHARMA	DT.-11.01.2011	SCALE- 2:1
	TR.-	MATL. AS ABOVE	TREAT. -
	CH.- <i>ajp</i>	SHTS.- 1	SHT. NO.- 1
	APPROVED.	DRAWING No.- <u>MCT-3111</u>	
AMENDMENTS.	<i>ajp</i>		
OFD/DO/002	JWM/DO. AWM/P ₁		