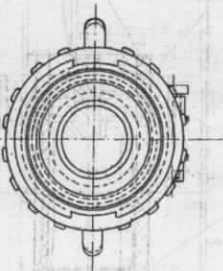


Date: 16-06-21
 for JWR/MCDD
 (Signature)
 (Signature)

PART LIST		NOMENCLATURE		EGA (REVISED)	
ITEM NO.	DRG/PART NO.	NO TO A SET		AMENDMENTS	(SHEET 2 OF 2 SHEETS)
1			WIRE BUNDLE STR. BUNDLE WITH RUBBER HOSE	D-2(1)	NATURE
2	4551/B	-	CONNECTOR END (METALLIC) BENT	24-11-70	PROVISIONALLY SEALED
3	4552/B	2	CAP METALLIC		
4	4553/A	-	CONNECTOR END (METALLIC) STRAIGHT		
5	4554/B	2	SEAL		
6		2	JUBILEE CLIP (NORMAL PATENT) TO SUIT 3/8" O.D. HOSE (ITEM 1)	QUEENING 18-10-72	SEALED

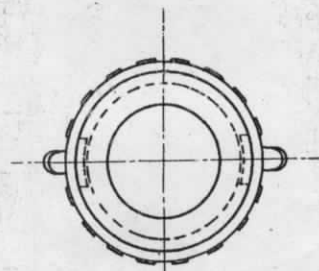
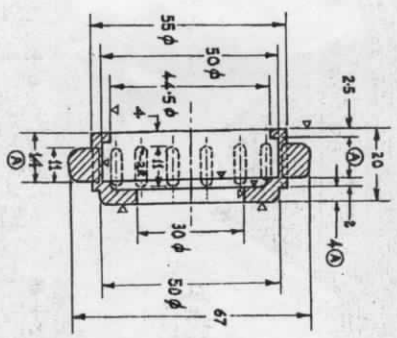
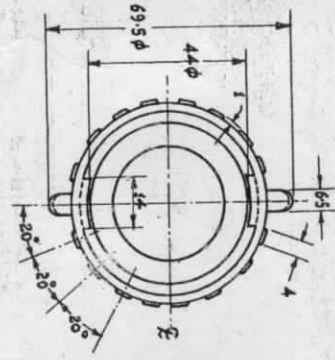


MATERIAL AS STATED	MACHINING	TREATMENT	FINISH	PERTAINS TO:-
				HOSE COMPLETE WITH CONNECTORS END
SCALE: 1:1		ALL THREADS TO CONFORM TO SPEC. DRG. NOT TO BE SCALED		
		ALL DIMENSIONS IN THIS UNIT, UNLESS OTHERWISE SPECIFIED.		
		THIRD ANGLE PROJECTION		
		ALL SHARP EDGES & CORNERS TO BE ROUNDED OFF.		
		ORIGINAL DATE:		
		DRN. DATED:		
		STAMP PART NO. MANUFACTURER'S NAME & YEAR OF MANUFACTURE.		
		TOLERANCE ON MACHINED DIMENS. UNLESS OTHERWISE SPECIFIED.		
		APPROVED:	GENERAL	DECIMAL AN-GUAR
		22 Jan 71		

C/D/NAN - [Signature] CHD BY: [Signature] COVD BY: [Signature]

RESEARCH & DEVELOPMENT ESTABLISHMENT (ENGRS)

DRG. CONVERTED INTO S UNIT AND DRG. NO. 216/79
 ADVANCED TO/A
 (ACIE/GRG)



Date 6-06-21 for JMIN/CDD

NOTE:- Δ Δ INDICATES MACHINING.

MATERIAL	MACHINING	TREATMENT	FINISH
PHOSPHOR BRONZE CASTING.	-	-	-

MATERIAL AS STATED	MACHINING	TREATMENT	FINISH
SCALE:- 1:1			
DRG NOT TO BE SCALED			
THIRD ANGLE PROJECTION			
ORIGINAL DATE:-			
DATE			
CD			
APPROVED			

RESEARCH & DEVELOPMENT ESTABLISHMENT (ENGINEERS)

C.D./M/N/I-1
CND BY:-
COVTD BY:-

EPD-4552/

AMENDMENTS
NATURE

PROVISIONALLY SEALED

DELETED DIMENSION 11
4 WAS 4.5 & 4 WAS
DRG NO. ADVANCED TO /A.

NO. 40-64M I
NO. 40-64M I

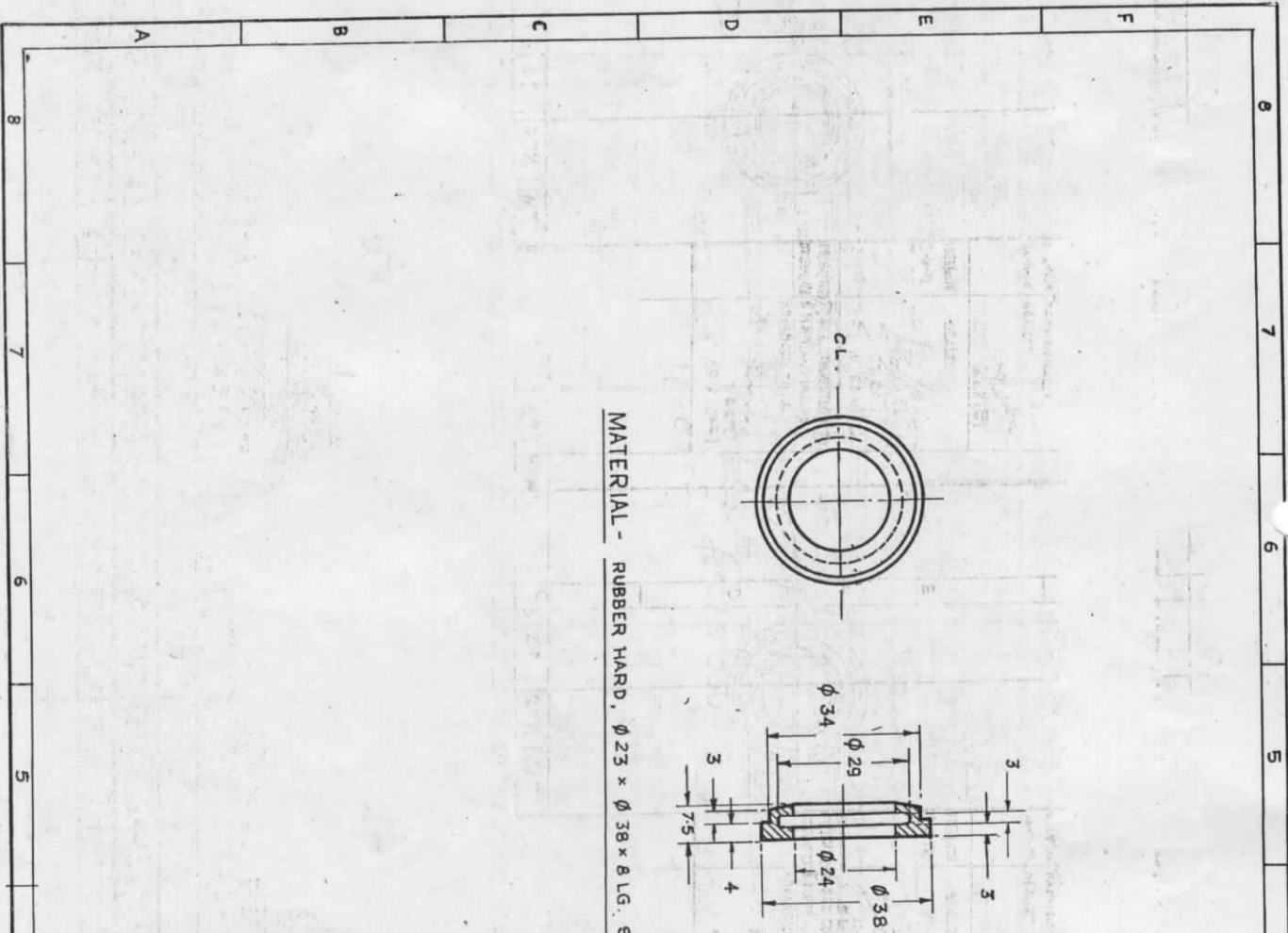
DRG. CONVERTED INTO SI UNIT AND DRG. NO. 21-6-79 IS URGENT TO /B

PERMITS TO-ESG-161 (SHEET 2 OF 2 SHEETS)

CAP METALLIC

RUE(ENGRS)DRG. NO. EPD-4552/

APPROVED



MATERIAL - RUBBER HARD, $\phi 23 \times \phi 38 \times 8$ LG. SHORE A50

DESIGNED BY
 DRAWN BY
 CHECKED BY
 DATE: 16-06-21
 APPROVED BY

SCALE :- 1:1	ALL DIMENSIONS IN mm UNLESS OTHERWISE SPECIFIED	PERTAINS TO EGA-16/A & EGA-16/B
THIRD ANGLE PROJECTION	ALL SHARP EDGES & CORNERS TO BE ROUNDED OFF	SEAL
ORIGINAL DATE	STAMP PART NO. MANUFACTURER'S NAME & YEAR OF MANUFACTURE	
DRN Sd/- xx	TCD Sd/- xx	R/E (ENGRS) DRG. NO. EPD-4554 (METRIC)
CKD Sd/- xx S.L.	PSD Sd/- xx PRD. OFFR.	
C/D/MAN	UNLESS OTHERWISE SPECIFIED	
APPROVED Sd/- xx ASST. DIRECTOR	GENERAL DECIMAL	
25-1-71	ANGULAR	

RESEARCH & DEVELOPMENT ESTABLISHMENT (ENGRS)

EPD - 4554 (METRIC)
AMENDMENTS
D.C.(1)
DRG. RETRACED WITH ALL AMENDMENTS UP TO/B D.C.(1) NO. ES/EZ/162 DT. 21-6-79
24-12-96 ACQA (DRG)

RETRACED BY - [Signature]
 CHKD BY - [Signature]
 COMPD BY - [Signature]