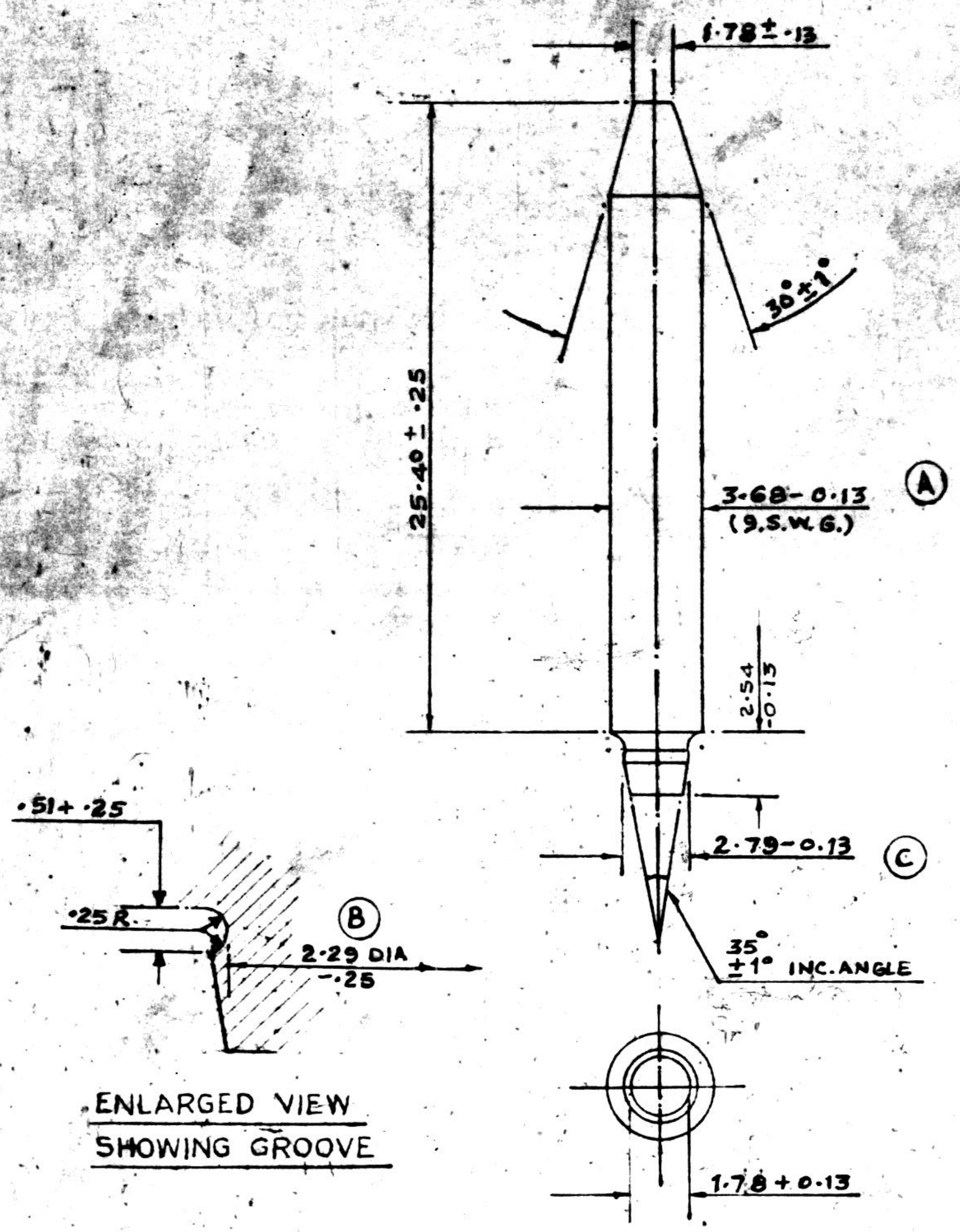


PART NO.  
**QX 1507**  
 D.C. 25478-A

FOR EXPLANATION OF DIMENSIONING ETC. SEE  
 THIRD ANGLE PROJECTION. DIMENSIONS ARE IN mm.



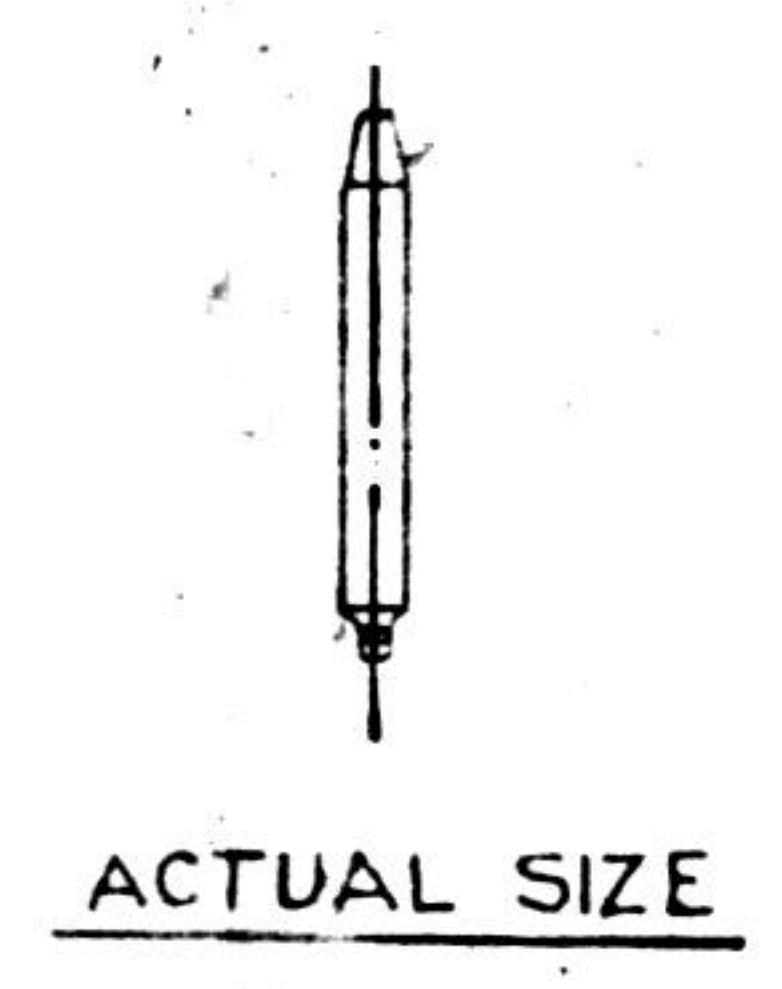
**NOTE**

TO BE PASSIVATED IN ACCORDANCE WITH SPECN. L 10205 AMENDED TO DATE

A) TOLERANCE ON UNTOLERANCED DIMENSIONS  
 FOR ONE DECIMAL PLACE ± 0.13  
 FOR TWO OR MORE DECIMAL PLACES ± 0.05

B) TOLERANCES ON UNTOLERANCED ANGLES GIVEN IN DEGREES ± 30'  
 & GIVEN IN DEGREES & MINUTES ± 5'

DIA. (B) & (C) CONC. TOL. 0.002 DIA. MMC. DATUM DIA. (A)



DATE	AUTHORITY	ZONE	NATURE	SIG.	SIG.
AMENDMENTS				ANSP	D.O.
30-12-92	D.C. 35434-A		DIM'S AMENDED UP TO .2 DECIMAL POINTS & ASSY DRG REF ADDED		
28-3-90	D.C. 34831-A		MATERIAL PB3 WAS 3PB & (LATEST ISSUE) ADDED		
29-1-83	D.C. 33517-A		MATL. CZ 121 3 PB WAS CZ 121		
3-5-78	D.C. 32648-A		MATERIAL AMENDED		
3-1-76			RETRACED WITHOUT CHANGE		
PREVIOUS D.C. L. NO. 25478-A, 27393-A, 29959-A, 30649-A & 30873-A.					

DRG SEALED: 28-10-59

PROTECTIVE FINISH: NONE	MATERIAL: BRASS B S 28% CZ 121 (PB3) MM	ASSLY DRG QX 35 GE
	CONDITION (LATEST ISSUE)	INSP INSTRS
ESTIMATED MASS:		DRAWN CHECKED TRACED
SCALE: 4/1 & 10/1		SD/ SD/ H.F.
	CHIEF D'MAN	GROUP OFFICER

**DETENT**  
 FOR  
 MK 8 (M-2)

APPROVED  
 DATE: 25-3-58  
 DESIGNER'S REF  
 L 5/8678/E/70  
 DETAIL NO  
 PART NO  
**QX 1507**  
 C.F.(A).KIRKEE