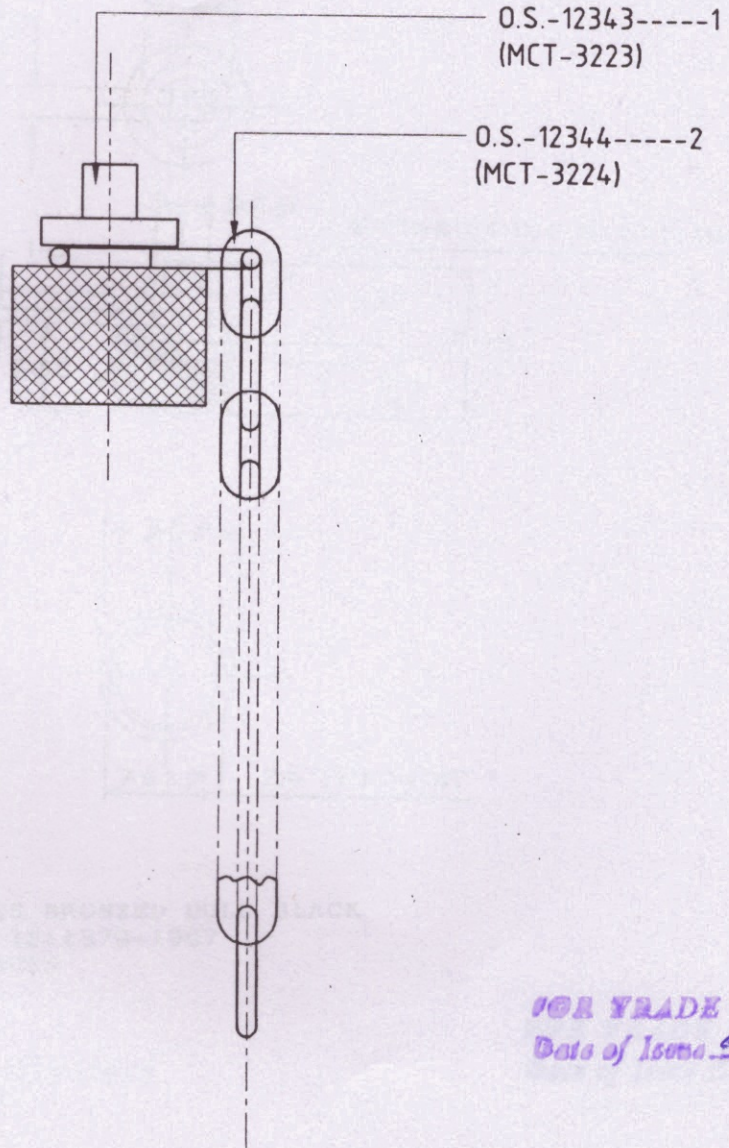


DIRECTOR FIRE CONTROL No.7
CAP, COMPASS CORRECTION

DRG. No. :-

OS-1005 S.A.

ORDNANCE FACTORY, DEHRADUN.



FOR TRADE COPY
Date of Issue 04/01/21
Raj

ALL DIMENSIONS ARE MM.
IMPORTANT DIMENSIONS MARKED THUS ●
INFORMATION MARKED THUS † TO BE MARKED ON

		DT.-02.02.2012	SCALE- N.T.S.
	DR.- R.K.SHARMA	MATL.	TREAT
	TR.-	AS ABOVE	AS ABOVE
	CH.-	SHTS.- 1	SHT. NO.- 1
	APPROVED.	DRAWING No.- <u>MCT-3222</u>	
AMENDMENTS.	<i>[Signature]</i>		
OFD/DO/002	JWM/DO. <i>[Signature]</i> AWM/ASSY.		

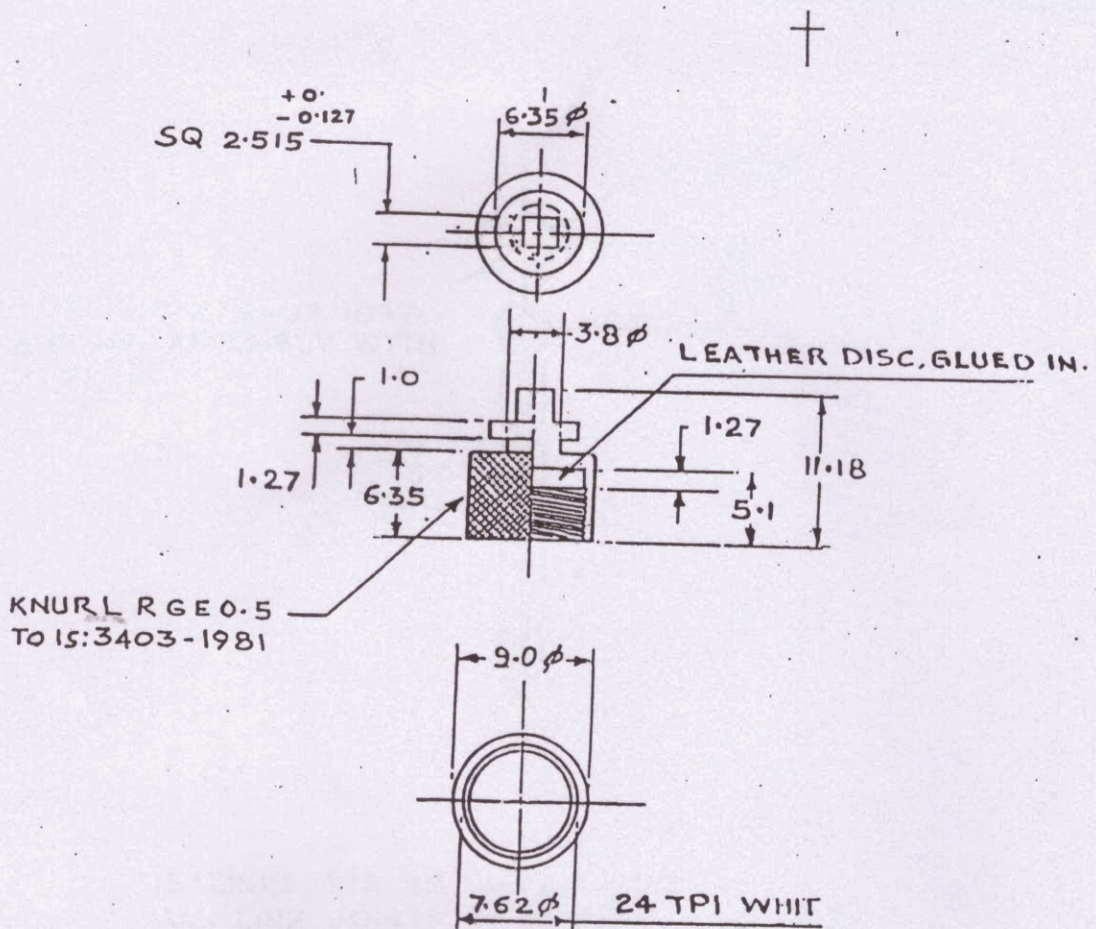
DIRECTOR FIRE CONTROL No.7

CAP

DRG. No. :-

O.S.-12343

ORDNANCE FACTORY, DEHRADUN.



FINISH:-

ALL EXTERIOR SURFACES BRONZED DULL BLACK
38µm (MIN. THICK) TO IS:1378-1987
EXCEPT BEARING SURFACES

MATL:-

BRASS ROD GdeI, HB TO IS:319-1989
(Fe NOT MORE THAN 0.05%)

FOR TRADE CHM
Date of Issue 04/01/24
Raj

ALL DIMENSIONS ARE MM.
IMPORTANT DIMENSIONS MARKED THIS ●
INFORMATION MARKED THIS † TO BE MARKED ON.

		DT.-02.02.2012	SCALE- N.T.S.
	DR.- R.K.SHARMA	MATL. AS ABOVE	TREAT AS ABOVE
	TR.-		
	CH.-	SHTS.- 1	SHT. NO.- 1
APPROVED.		<p style="font-size: 1.2em; font-weight: bold;">DRAWING No.-</p> <p style="font-size: 1.5em; font-weight: bold;">MCT-3223</p>	
AMENDMENTS.			
OFD/DO/002			
 JWM/DO		 AWM/ASSY.	

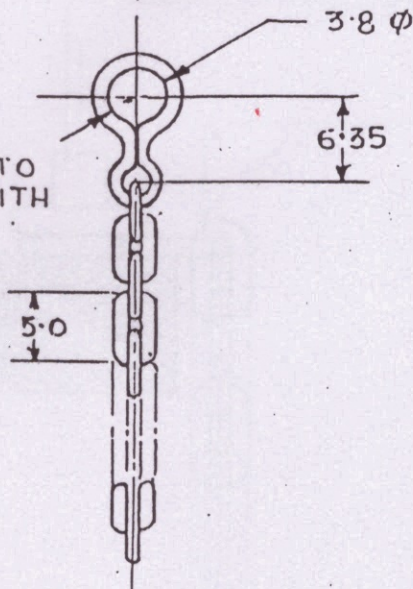
DIRECTOR FIRE CONTROL No.7
CHAIN

DRG. No. :-

O.S.-12344

ORDNANCE FACTORY, DEHRADUN.

SWIVEL LINK SHUT INTO
3.8 φ, ON ASSEMBLY WITH
O.S. 12343



15 LINKS, DIA. OF WIRE = 0.90
ALL LINK JOINTS TO BE HARD SOLDERED
END LINK SECURED TO O.S. 13577
A SIMILAR TRADE ARTICLE CHAIN MAY BE USED

MATL:-

BRASS CuZn 37 HB OF IS:4413-1981

FINISH:-

BRONZED BLACK OF IS:1378-1987

FOR TRADE USE
Date of Issue 04/01/21
Raji

ALL DIMENSIONS ARE MM.
IMPORTANT DIMENSIONS MARKED THUS ●
INFORMATION MARKED THUS † TO BE MARKED ON

	DR.- R.K.SHARMA	DT.-02.02.2012	SCALE- N.T.S.
	TR.-	MATL. AS ABOVE	TREAT AS ABOVE
	CH.-	SHTS.- 1	SHT. NO.- 1
AMENDMENTS.	APPROVED. <i>[Signature]</i> AWM/DO.	DRAWING No.- MCT-3224	
OFD/DO/002			