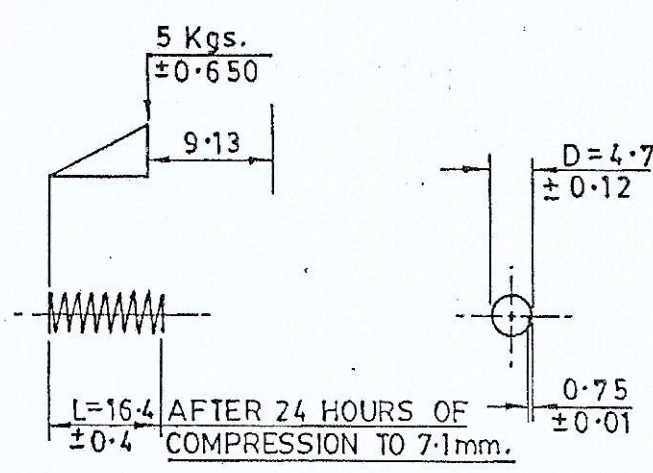


5360-003079

D.S.CAT. DIMNS. ARE IN mm.



LENGTH OF COILING 19

NUMBER OF ENTIRE COILS :- $8\frac{3}{4} \pm \frac{1}{4}$ (END COILS HAVE TO BE GROUND SQUARE TO ANY COILING DIRECTIONS FITS. AXIS.)

REMARK FOR THE USER :- WHEN UTILIZED, THIS SPRING MAY BE SOFTEN UNTILL THE LENGTH BE 13.85 mm. THE SPRING DIMENSIONS ARE CALCULATED SO AS TO ALWAYS GET A STRENGTH AS HIGH AS POSSIBLE. IN OTHER WORDS, THE SPRING WILL SOFTEN ONLY WHEN THE MOST FAVOURABLE CONDITIONS SHOULD NOT BE AVAILABLE.

Checked as correct copy
12.12.08
Sr. Works Manager

DC No. 27018-SA, DT. 27-01-2017, MATERIAL AMENDED

11-6-2002	25393-SA	RECORD OF RECEIPT CANCELLED AND DRG. SEALED AFRESH	STANDARD	CD	MAC
12.01.2000	24609-SA	PROFORMA CHANGED, D.S.CAT. NO. ADDED IN ASSY. COLUMN, NEG. RE-TRACED AND DRG. RE-SEALED AS A RECORD OF RECEIPT.	CD	CD	W
		PREVIOUS D.C. NOS. 15535-SA, 17601-SA & 21285-SA.	COPY	COPY	
DATE	AUTHY.	BRIEF RECORD	ZONE	VC;D.O.	G.O.

SEALED:- D.C.No. 25393-SA DT. 11-6-2002

DRN.	CHD.	TRD. Shandha	COMP. Hanlani	AHSP CQA(SA) ICHAPUR
SCALE:- 1:1		EST. MASS.		
DT. 12-1-2000	VC;D.O.	APPROVED	DT. NEG. RE-TRACED	ASSY. 1005-006560, 1005-006565 & 1005-006566.
MATERIAL :- IS: 4434 PT-1: 2001 GRADE DH. 0.75mm				

HT/HARDNESS:-	THE SPRING AFTER COILING ARE TO BE STRESS RELIEVED AT 260°C FOR 15 MINUTES.	UGNR'S REF.
PROTECTIVE FINISH		PART NO. 1030
ENCLOSURE:-	SPRING, BARREL LOCKING CATCH.	DRG. NO. A 1925
		D.S.CAT NO. 5360-003079