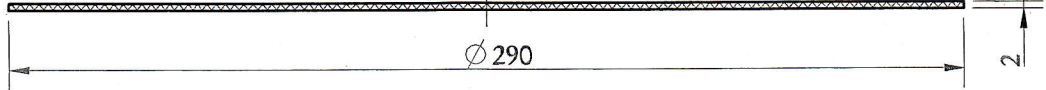
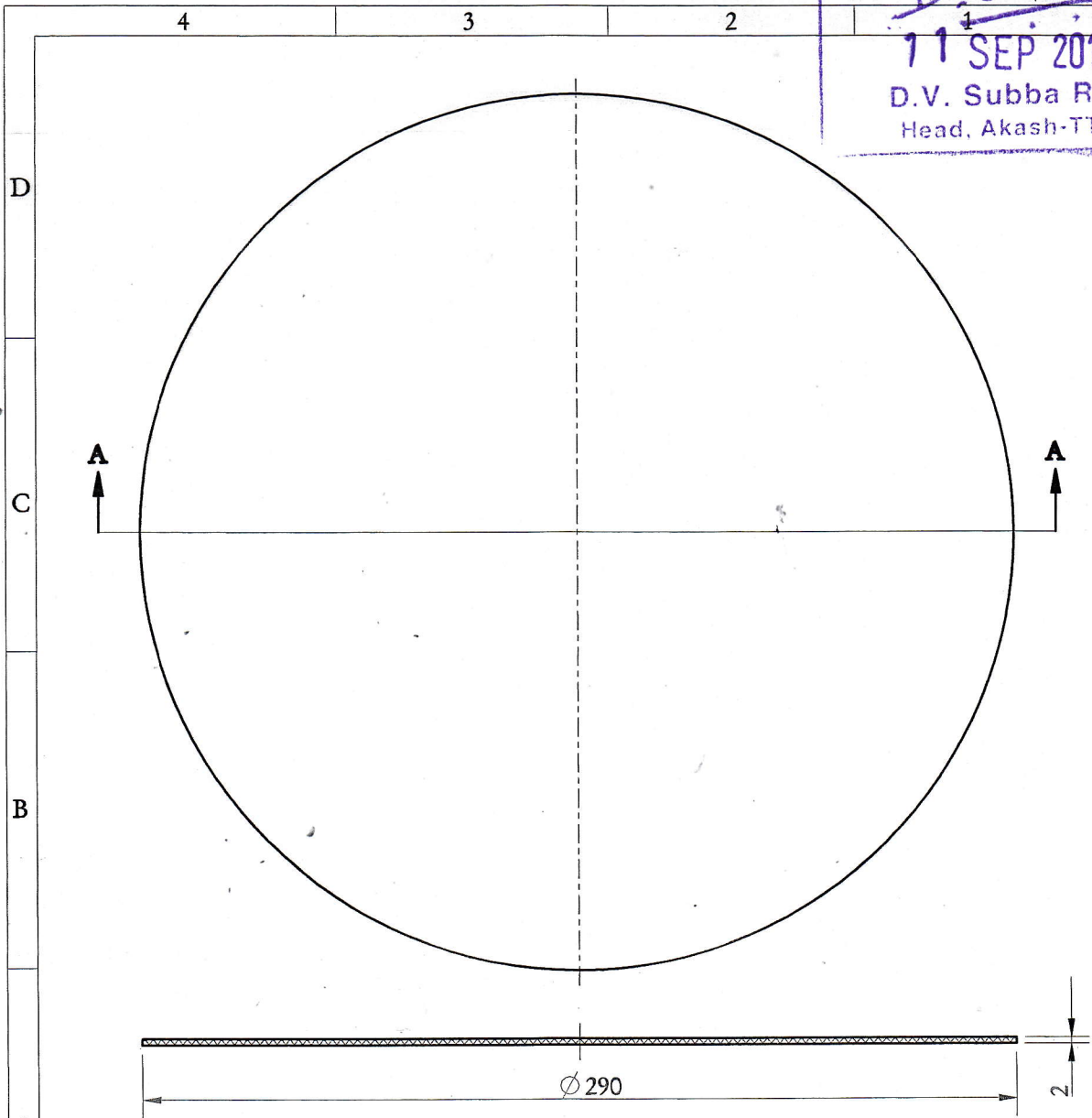


Certified for AKASH Production
and issued to BDL

D.V. Subba Rao
11 SEP 2014
D.V. Subba Rao
Head, Akash-TTG



SECTION A-A

REVISION	R.No.	DATE	AUTHORITY	ZONE	BRIEF RECORD	INITIALS
						<i>AB</i>

DEVIATION FOR UNTOLERANCED DIMENSIONS TO CONFORM TO SPEC. IS : 2102, MEDIUM (PART 1 & 2) : 1993			DRAWN TO SPEC. IS : 10714-1983(R 1999), IS : 10714 (PART 20) : 2001 & IS : 10714 (PART 21) : 2001 AND DRDL NOTE SHT. 1 & 2			
SCALE:1:2		MATL.:HYLUM				
DIMENSIONS ARE IN mm.		G. Satyanarayana TECH. OFFICER				
DRN	DATE	NAME	FINISH:		APPD (DGN) APPD (DRG)	
MASS :	0.186 kg	R. Satyanarayana APPD (DRG)				
HYLUM DISC			ASSY DRG No. RPD/AK/CA/00 00 00 00			
Defence Research & Development Laboratory HYDERABAD			DRG. No. RPD/AK/CA/00 00 00 02			