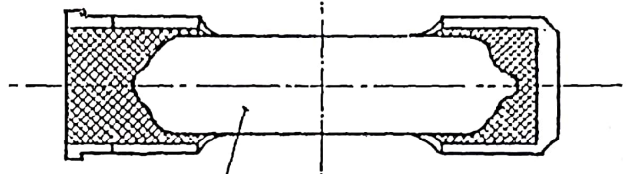
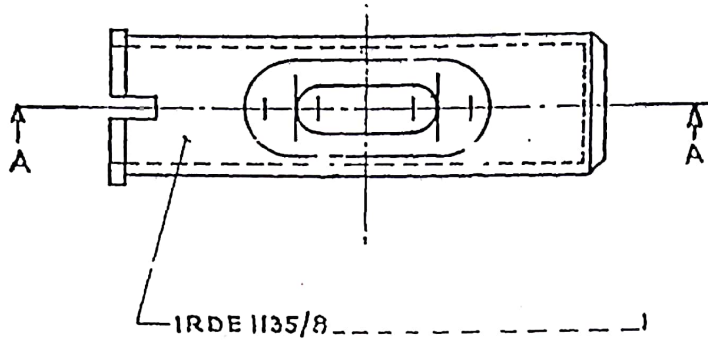


FOR EXPLANATION OF DIMENSIONING ETC. SEE QQAI(GUIDE-NO-001-92)  
THIRD ANGLE PROJECTION DIMENSIONS ARE IN MILLIMETRES.

POLYESTER NEGATIVE PREPARED AT CQA(I) D. DUN  
PREPARED BY:- *[Signature]*  
CHECKED BY:-  
DATE:- 24.6.93



FOR TRADE COPY  
Date of Issue 21/12/19  
*[Signature]*

SECTION AT 'A-A'

IRDE 180/15  
TO BE SECURED WITH PLASTER OF PARIS  
SHOWN IN HATCHED LINES AFTER PLACING  
IT CENTRALLY IN THE ELONGATED HOLES  
AS SHOWN.

(b)

NOTE:-  
CAT/PT. No. TO BE ENGRAVED ON MAIN BODY  
IN SUITABLE PLACE & CHARACTERS.

(b) D.C.:- 5927-I. NOTE ADDED		CHKD	5.8.93	URN	<i>[Signature]</i>	APPROVED
D.C.:- 5728-I. DRG. SEALED IN REPLACEMENT OF DILAPIDATED ONE.		<i>[Signature]</i>	5.8.93	TRCD	<i>[Signature]</i>	To: DIRECTOR
D.C. (U):- 5362-I DRG. SEALED.		<i>[Signature]</i>	2.4.90	CHKD	<i>[Signature]</i>	IRDE DEHRADUN
(3) D.C. (U):- 1211-I (P)1. CAT/P. No. / D.D.F.D.		<i>[Signature]</i>	2.3.87	CHKD		DATE:- 6-5-85
D.C. (U):- 1169-I (P)1 DRG. PROV. SEALED		<i>[Signature]</i>	5.12.85	USED ON		
SYM	AMENDMENTS	CHKD	DATE	BASED ON		
MATL & SPECN	SEE DETAILS			CAT PT. No.	1240-001792	
FINSH	SEE DETAILS			DRG. No.	IRDE-1135/SA-1	
TITLE LEVEL, FIRE CONTROL INSTRUMENT				SCALE	2:1	SHEET - OF.

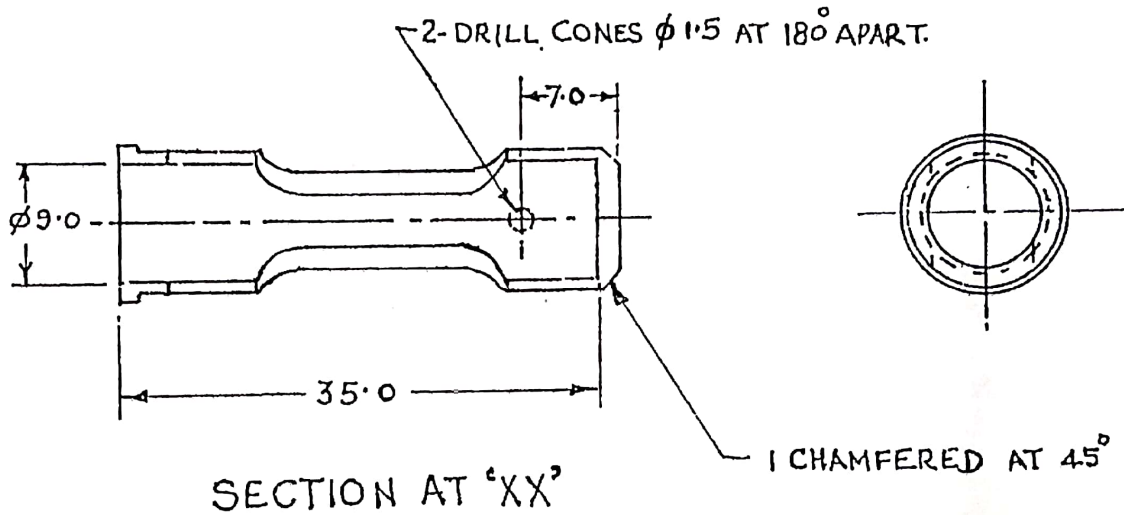
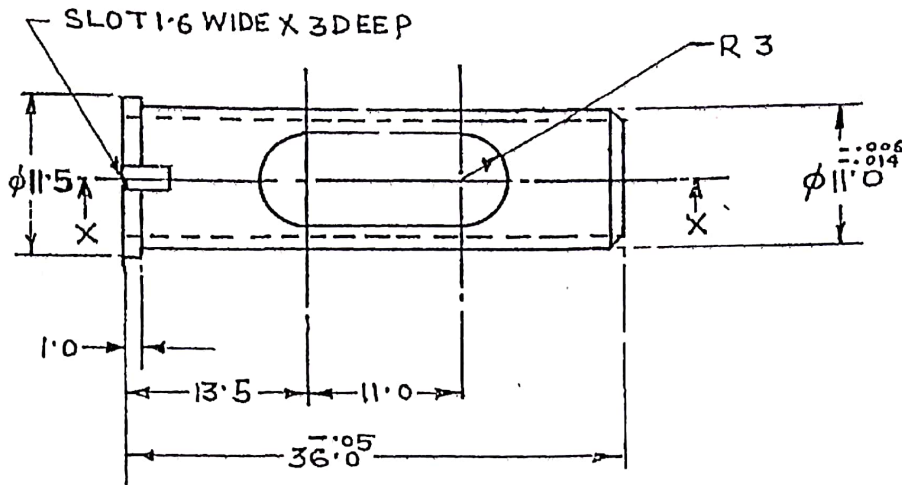
D.C. (U):- 1169-I (P), 1211-I (P), 5362-I, 5728-I, 5927-I.

POLYESTER NEGATIVE PREPARED AT CQA(I) D.SUN  
 PREPARED BY: *[Signature]*  
 CHECKED BY: *[Signature]*

D.C.(I)-1169-I(P), 1211-I(P), 5362-I, 5728-I, 5927-I.

DATE: -24.6.93

FOR EXPLANATION OF DIMENSIONING ETC, SEE CQA(I), GUIDE No.001-92  
 THIRD ANGLE PROJECTION  
 DIMENSIONS ARE IN MILLIMETRES.

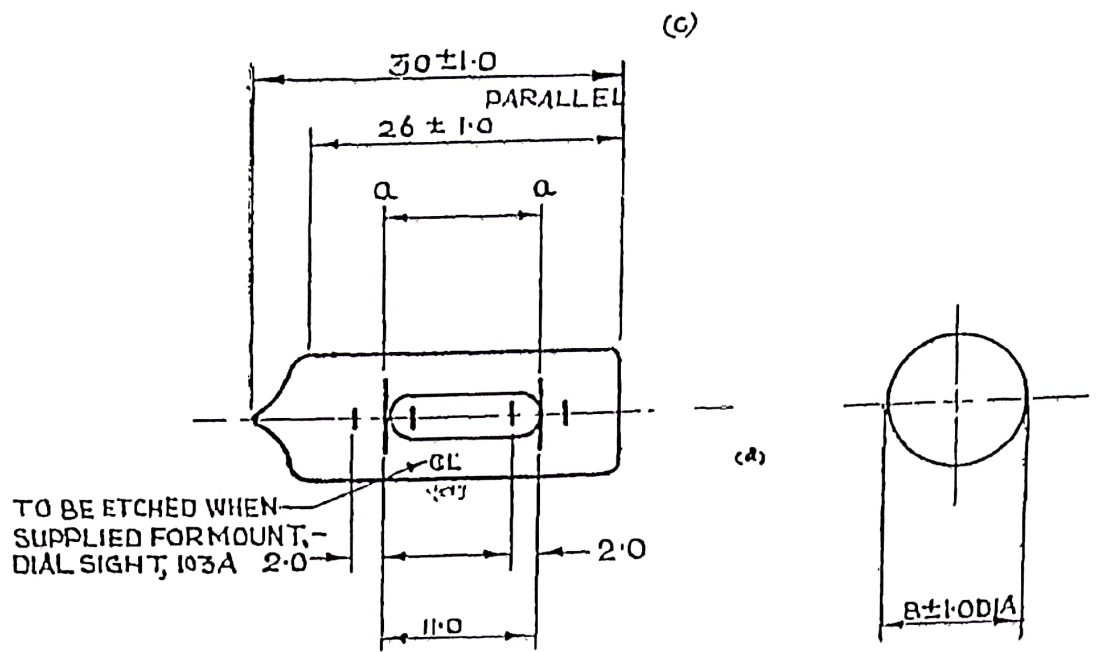


FOR TRADE ONLY  
 Date of Issue: 21/12/19  
*[Signature]*

(b) D.C.-5927-I, MATL. AMENDED.	<i>[Signature]</i>	<i>[Signature]</i>	28.95	DKN	<i>[Signature]</i>	APPROVED. <i>[Signature]</i> FOR DIRECTOR IRDE, DEHRADUN	
D.C.-5728-I DRG. SEALED IN REPLACEMENT OF DILAPIDATED ONE.	<i>[Signature]</i>	<i>[Signature]</i>	5.8.93	TRCL	<i>[Signature]</i>		
D.C.(I)-5362-I. DRG. SEALED.	<i>[Signature]</i>	<i>[Signature]</i>	2.4.90	CHKD	<i>[Signature]</i>	DATE: -6-5-85	
(a) D.C.(I)-1211-I(P)-NOM. AMENDED & CAT/PT. No. ADDED.	<i>[Signature]</i>	<i>[Signature]</i>	12.8.87	CHKD			
D.C.(I)-1169-I(P)-DRG. PROV. SEALED	<i>[Signature]</i>	<i>[Signature]</i>	5.12.85	USED ON			
SYM	AMENDMENTS		CHKD	SIG	DATE	BASED ON	
(b) MATL & SPECN	BRASS, Gde-I HB TO IS: 319-1989					CAT P. No.	1240-001794
FINISH	BRONZED					No.	IRDE 1135/8
TITLE (a)	CASE, VIAL LEVEL					SCALE	2:1 SH. O:

D.C.(I)-0059-I(P), 0152-I(P), 0335-I(P), 0356-I(P), 1974-I, 1974-I, 0356-I(P), 0356-I(P), 5732-I, 5732-I, 4416-I, 4416-I, 3830-I, 3830-I, 3247-I, 3247-I, 6788-I, 6788-I,  
 POLYESTER NEGATIVE PREPARED AT CQA(I) D.DUN  
 PREPARED BY: - *Nhr*  
 CHECKED BY: -  
 DATE: - 27-93

FOR EXPLANATION OF DIMENSIONING, ETC., SEE C.Q.A(I), GUIDE No. 001-92  
 THIRD ANGLE PROJECTION DIMENSIONS ARE IN mm.



TO BE ETCHED WHEN SUPPLIED FOR MOUNT, - DIAL SIGHT, 103A 2.0

**NOTES:-**

- LONG GRADUATIONS \_\_\_\_\_ 50
- SHORT GRADUATIONS \_\_\_\_\_ 2.0
- GRADS & CHARS TO BE ETCHED CLEARLY DEFINED AND FILLED IN WITH BLACK.
- DIMENSION 'a' REPRESENTS LENGTH OF AIR BELL AT 27°C.
- WIDTH OF GRADUATIONS TO BE 0.25 ± 0.05
- THE SENSITIVITY RANGE FOR 2.0 RUN OF THE AIR BELL IS 4'-0"

**TOLERANCE ON:-**

SENSITIVITY	± 20 SECONDS
CONSISTENCY	10 SECONDS
ROLL	10 SECONDS

THE BUBBLE SHOULD CONFORM TO I.S. 1632-1960 IN ALL OTHER RESPECTS.

MAX. DISPLACEMENT:-

(a)	30 SECONDS FOR 80° ROLL
-----	-------------------------

FOR TRADE ONLY  
 Date of Issue 21/12/19  
*Aj*

TRACED AT C.I.I. DEHRA DUN  
 TRACED BY: - *K.S. Chauhan*  
 CHECKED BY: - *S.P. Singh*  
 DATE: - 7.10.78

(c) D.C.:- 6788-I. VIEW & DIMENSION AMENDED.	<i>ds</i>	<i>M</i>	21.4.06	DRAWN	TRACED	APPROVED
(b) D.C.:- 6078-I. MATERIAL AMENDED	<i>ks</i>	<i>S.P.</i>	7-2-96	<i>Sd/-</i>	<i>Sd/-</i>	<i>Sd/-</i>
D.C.:- 5732-I. DRG. SEALED IN REPLACEMENT OF DILAPIDATED ONE.	<i>kd</i>	<i>W</i>	5-8-93	CHECKED		FOR DIRECTOR IRDE DEHRA DUN
(2) D.C. (1):- 4416-I. ETCHED CL WAS TE & 10" FOR 10° ROLL DELETED.	<i>l</i>	<i>H</i>	23.4.92	<i>Sd/-</i>	<i>Sd/-</i>	
D.C. (1):- 3830-I. DRG. TRACED INCORPORATING ALL THE PREVIOUS AMENDMENTS & SEALED IN SUPERSESSION OF EXISTING ONE.	<i>l</i>			SCALE:- 2:1		DATE:- 15.4.64
AMENDMENTS		SIG	DATE	DRG. NO. <b>IRDE 180/15</b>		
MATL:- GLASS TUBE			(b)	CAT/ PART NO. <b>124.0 - 000143</b>		
FINISH:- AS ABOVE				SHEETS		
<b>VIAL, LEVEL.</b>				SHEET		