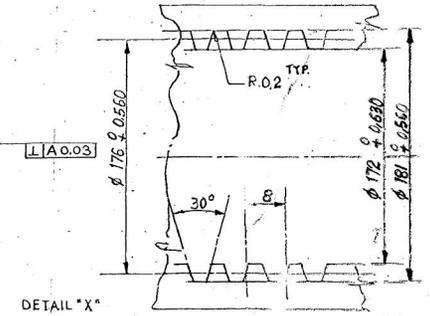
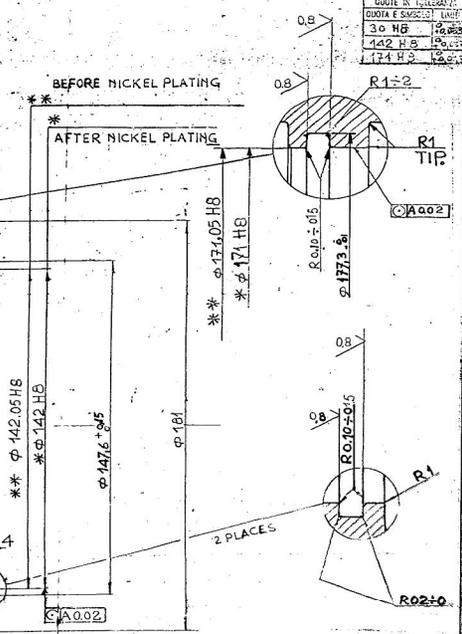
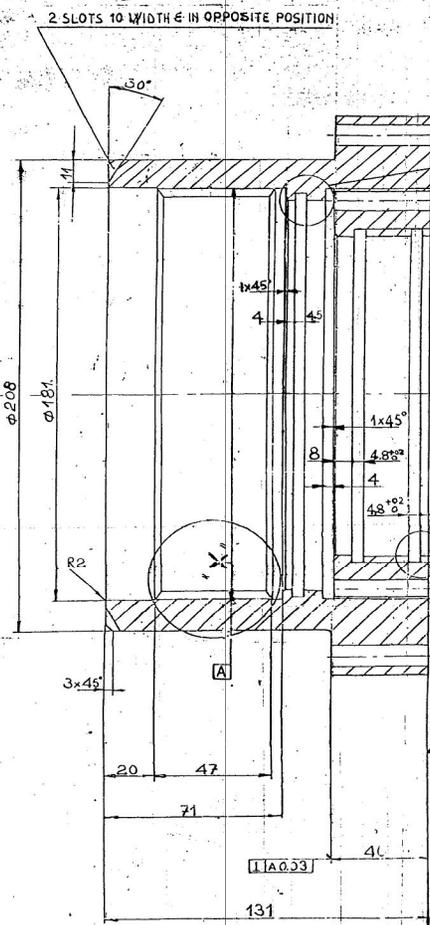
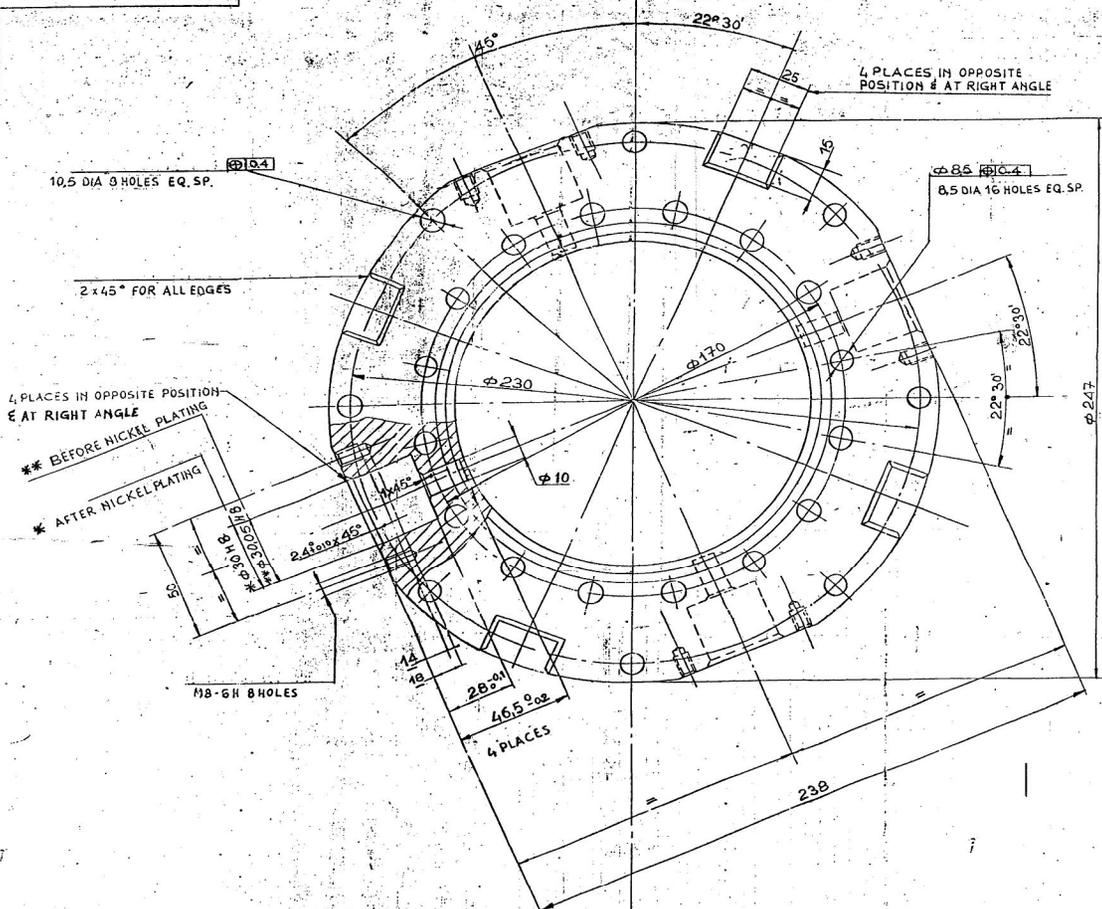


DRG No. SK-01295



MATL~ 30 NF. Cr Mo 12 UNI 5332 BON.  
ALT.MATL~ DEF STD 10-13/4, C-55

\* FINAL PROT. FINISH PER SPEC. RS 12

SECONDO TAB. (SO. UN. 201-71) 201-71  
\* CHEMICAL NICKEL PLATING

FORGING OR DROP FORGING

REV	DESCRIPTION	NO. OF	MATERIAL	TREATMENT	STD.
SCALE	1:1	COMPONENT	STORE-ORG. NO.		
DATE					
<p>FIELD GUN FACTORY KAN</p>					
<p>APPROV. )</p>					
<p>RING COUPLING (SRGM)</p>					
<p>ORG. NO. SK-01295</p>					
<p>SHTS 1 SHT 1/2</p>					