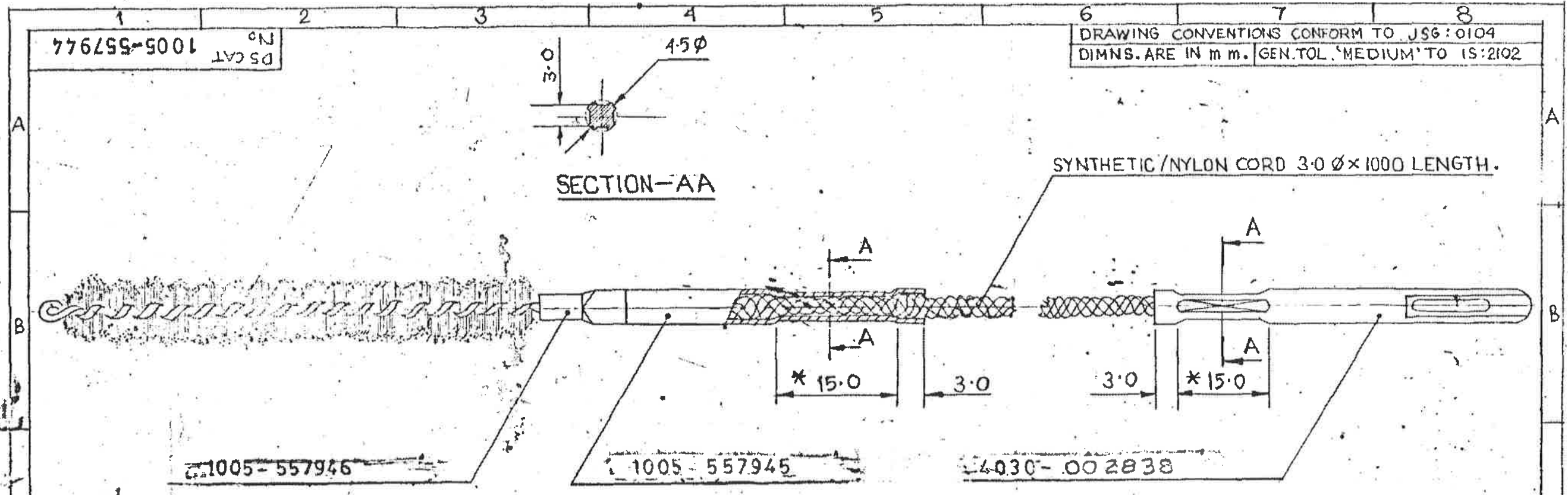


776299-9001
DSCAT
1005-557944

DRAWING CONVENTIONS CONFORM TO JS6:0104
DIMNS. ARE IN m.m. GEN. TOL. 'MEDIUM' TO IS:2102



NOTE:- FOR USE OF WEIGHT, PULL THROUGH CUM CLEANING PATCH ROD (CQA(SA)SK-369/2), REMOVE BRUSH ASSY FOR PULL THROUGH CQA(SA)SK-369/3

SYNTHETIC/NYLON CORD, ACCEPTANCE TEST :-

1. FLEXIBILITY :- THE SPECIMEN CORD (APPROX) 100 CM LENGTH SHALL MAINTAIN PERFECT FLEXIBILITY AFTER COLD AND HOT TEST NO SIGN OF CRACKING OR OTHER DETERIORATION SHALL BE VISIBLE AND THE SPECIMEN SHALL CONTINUE TO WITHSTAND PULL TEST OF 35 Kg.
2. BREAKING LOAD (15 cm BETWEEN THE GRIPS) :- MIN. 100 Kg.
3. COLD TEST :- THE SPECIMEN CORD TO BE PLACED IN A COLD CHAMBER FOR 6 HOURS MAINTAINED AT A TEMP. OF -40°C.
4. HOT TEST :- THE SPECIMEN CORD TO BE PLACED IN A HOT CHAMBER FOR 6 HOURS MAINTAINED AT A TEMPRATURE OF +60°C.
5. X SUITABLY SQUARE CRIMPED AS PER SECTION A-A TO WITHSTAND 35 KG PULL TEST

NSN: B1/1005-72-0000944

DATE	AUTHY.	BRIEF RECORD	ZONE	IC, DO	G.O.	SIGN.
30-7-10	26532-SA	NSN ADDED				
4-3-08	26403-SA	MATERIAL AMENDED.				
20-10-2000	24847-SA	NOMENCLATURE AMENDED AND D.S.CAT. NOS ADDED				
11-11-99	24583-SA	BREAKING LOAD INSERTED & TENSILE STRENGTH DELETED	5/D			
26-07-99	24438-SA	NOTE AMENDED.	C/1-4			
05-07-99	24423-SA	DRG. PROV. SEALED				
DATE AUTHY.		BRIEF RECORD	ZONE	IC, DO	G.O.	SIGN.
SEALED PROV.		DC NO. 24423-SA				
		DT. 05-07-99.				
NOMENCLATURE - PULL THROUGH 5.56mm I.A (NYLON)						

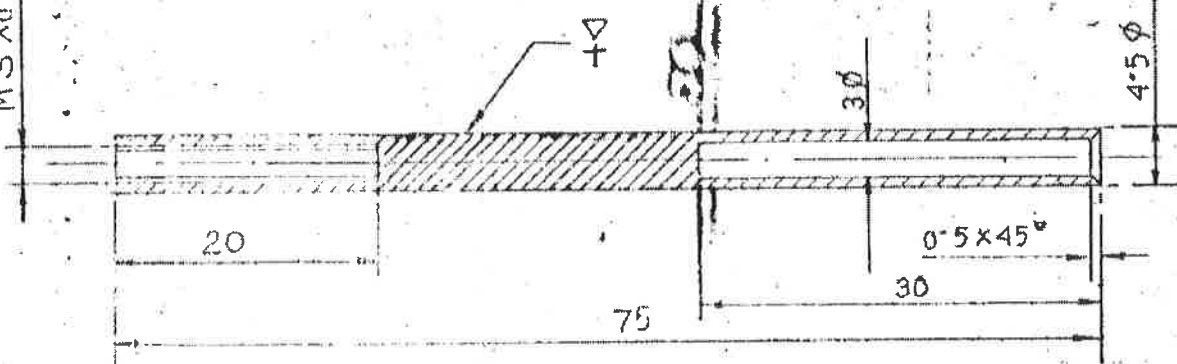
DRN.	CHD.	TRD.	COMP.
DRN. 21399	CHD. 21399	TRD.	COMP.
SCALE - NOT TO SCALE		EST MASS - APPROVED.	
DT. 01.5.99	IC, DO.	DT. 01.5.99	FOR CQA(SA)
MATERIAL - SYNTHETIC/NYLON CORD TO SPECN IS:4227:1998, VARIETY No.7.		DGNR'S REF. CQA(SA)SK-369	
HT./HARDNESS -		PART No.	
PROTECTIVE FINISH -		DRG. No.	
		DS CAT No. 1005-557944	

1005 557945

DS CAT

DRG CONVENTIONS CONFORM TO JSG:0104
DIM'S. ARE IN mm, GEN. TOL. 'MEDIUM' IS: 2102

M 3 X 0.5



MARKING BY ETCHING ON SAMPLE AS SHOWN
IN THE DRG.

- ▽ YEAR OF MANUFACTURE
- + MANUFACTURER'S CODE

26-07-03	25219-SA	MARKING NOTE AMENDED			<i>Andes</i> CD	<i>Mishra</i> DAC
05-05-03	25740-SA	MARKING NOTE ADDED & MARKING PLACE SHOWN ON DRG.			<i>Andes</i> CD	<i>Mishra</i> DAC
20-10-2000	24647-SA	D.S. MARKING 1005-557945 ADDED AND IN A SECT. COLUMN 1005-557945 WAS			<i>Andes</i> CD	<i>Mishra</i> DAC
11.11.99	24304-SA	THROUGH HOLE (3.0) AT 100.00 mm LENGTH	3/4-B		<i>Andes</i> CD	<i>Ram</i> DAC
05.07.99	24423-SA	DRG. PROV. SEALED			<i>Andes</i> CD	<i>Ram</i> DAC
DATE	AUTHY	DRG. RECD D.	ZONE	IC/DO.	G.O.	SIGN.
SEALED PROV. DC. NO. 24423-SA. DT. 05-07-99.						

DRN - 1005-557945	ICHD	TRD	CCD	AHSP - CQA(SA), ICHAPUR		
SCALE - 2:1	EST MASS		ASSY. 1005-557945			
DT 04.5.99	<i>Andes</i> IC/DO.	APPROVED	<i>Ram</i> IC/DO.	CQA(SA) SK-369/1		
MATERIAL BRASS TO IS:4170 - CuZn 30				PART No.		
HT/HARDNESS -				DRG No.		
PROTECTIVE FINISH				DS CAT. 1005-557945		
NOMENCLATURE SLEEVE CUM WEIGHT PULL THROUGH				No.		

1005-557946

DRAWING CONVENTIONS CONFORM TO JSG:0104
DIMNS. ARE IN mm. GEN. TOL. 'MEDIUM' 15:2102

1005-557947

SUITABLY HEX CRIMP TO WITHSTAND
35 KG. PULL TEST

1005-118588



92

20-10-2000

24847-SA

DS CAT No's ADDED

05-07-99

24423-SA

DRG. PROV SEALED.

DATE

AUTHY

BRIEF RECORD

ZONE

IC, DO

GO.

SEALED PROV. DC NO 24423-SA DT 05-07-99

SIGN

DRN

ICHO

TRD

COMP

ANSP: CQA(SA), ICHAPUR

SCALE - 2:1

EST MASS -

DT. 04.5.99

Ande
I/C, DO

APPROVED

DT 04.5.99

R...
FOR CRASH

ASSY. 1005-557944

MATERIALS

HT/HARDNESS -

PROTECTIVE FINISH

NOMENCLATURE - BRUSH ASSY. FOR PULLTHROUGH

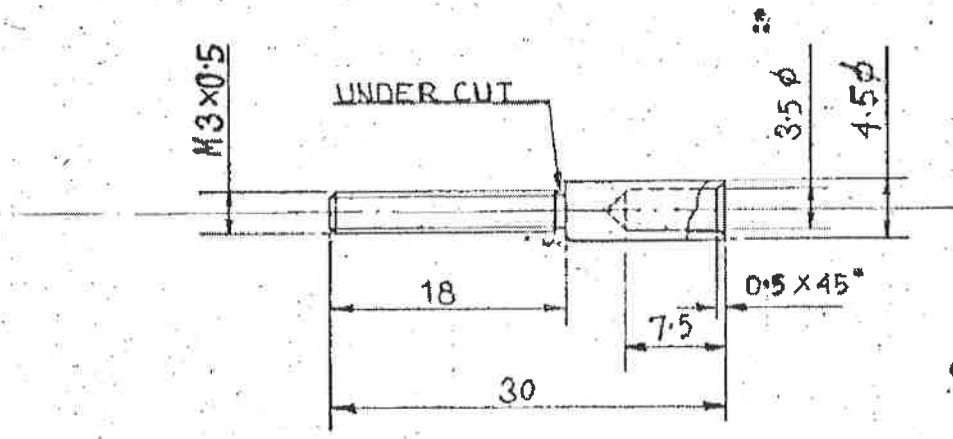
DGNRS REF. CQA(SA)SK-369/3

PART No.

DRG No.

DS CAT. No. 1005-557946

1 2 3 4
 1005-557947 DRG. CONVENTIONS CONFORM TO JSG: 0104
 DIMNS ARE IN mm GEN. TOL. 'MEDIUM' IS: 2102.

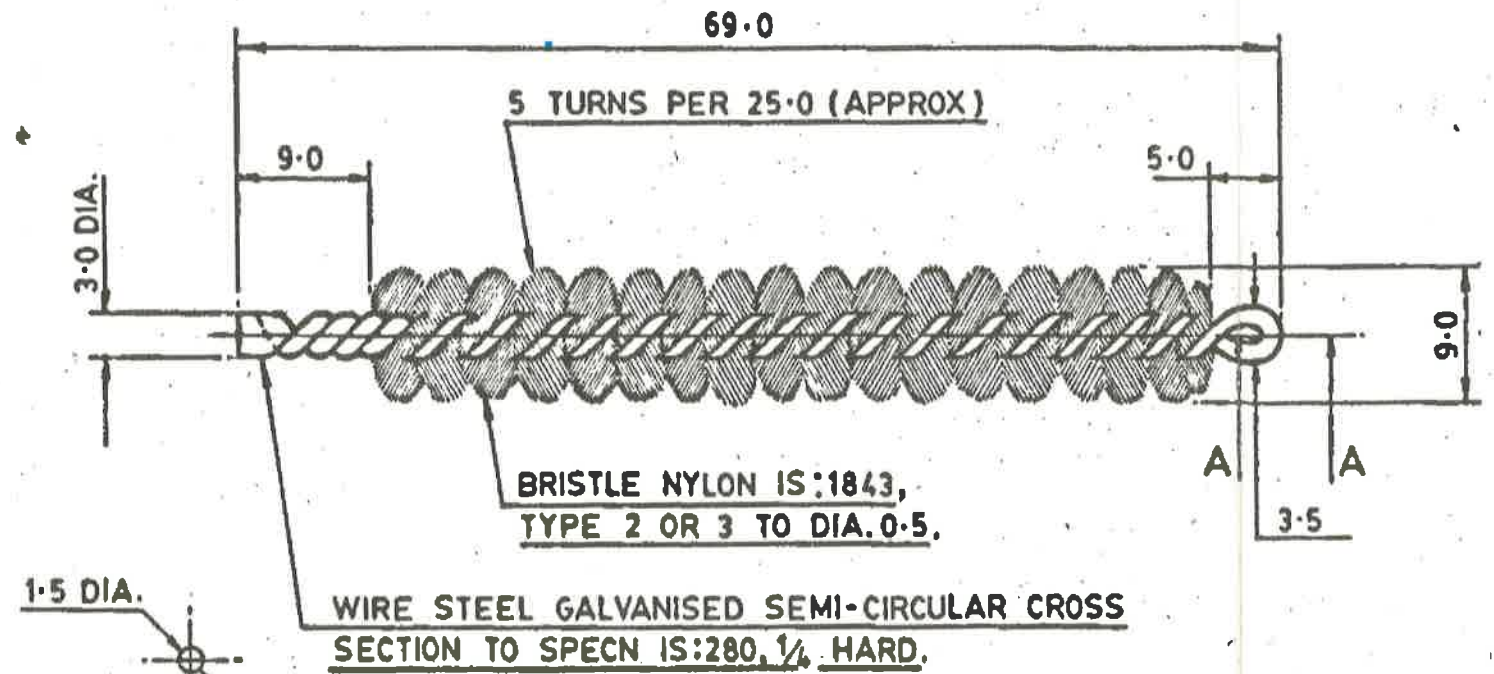


PROTECTIVE FINISH:-
 PHOSPHATE TO SPECN. JSS - 0465-01: 1988 CLASS-I,
 PAINT REF FINISHING, AMMUNITION STOVING BLACK SPRAYING
 FOR SMALL ARMS TO SPECN. JSS: 8010-37 MATT FINISH.
 THREADED PORTION AND HOLE TO BE PROTECTED FROM
 PAINTING OR NICKEL PLATED TO SPECN. IS: 1068 GRADE B
 OR ELECTROPLATED COATINGS OF ZINC AS PER SPECN. IS: 1573
 OF LATEST ISSUE.

20.10.2000	24847-SA.	DS CAT NO 1005-557947 ADDED AND IN ASSY. COLUMN 1005-557946 WAS CQA(SA)SK.369/3.			
25-07-99	24423-SA	PROTECTIVE FINISH ADDED			
05-07-99	24423-SA	DRG. PROV. SEALED			
DATE	AUTHY	BRIEF RECORD	ZONE	IC:DO	G.O.
SEALED PRDV. DC NO. 24423-SA DT. 05-07-99.			SIGN		
DRN - [Signature]	IC:DO	TRD	COMP	AHSP CQA (SA) ICHAPUR	
SCALE - 2:1	EST MASS	APPROVED.	DT. 04.5.99	ASSY. 1005-557946	
MATERIAL - STEEL BS:970 Pt-1, 1983 Gd.070, M-20.					
HT/HARDNESS -			DGNR'S REF CQA(SA)SK-369/3/1		
PROTECTIVE FINISH :- AS STATED.			PART No.		
NOMENCLATURE <u>STEM</u>			DRG No		
			DSCAT No. 1005-557947		

DS. CAT. 1005-118588

DRAWING CONVENTIONS CONFORM TO JSG:0104.
DIMNS. ARE IN mm. GEN. TOL. COURSE TO IS:2102.



PART SECTION A-A
SCALE-2:1

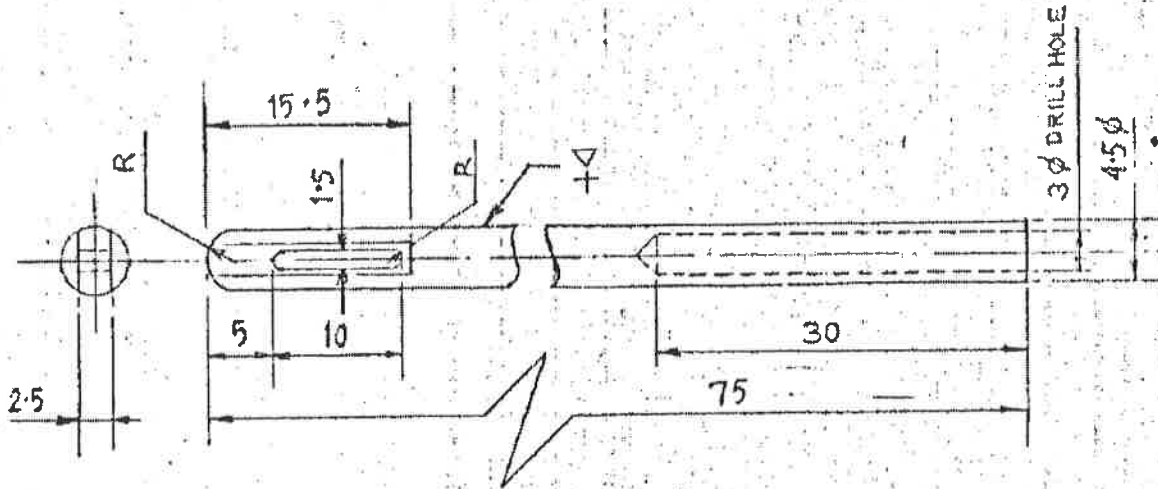
CERTIFIED COPY OF THE
STORE DRG/GAUGE DRG/Sch/
SPECN/NOTE SHT.
DATE: 24-03-10 FOR CD

				DRN.	CHD.	TRD. <i>Hyosam</i>	COMP. <i>Abanhai</i>	AHSP. CQA(SA), ICHAPUR
				SCALE:- 2:1		EST. MASS:		ASSY. DS. CAT. NO. 1005-557946
				DT. 07-12-2000		APPROVED, DT. 27-4-85 (NEGATIVE RE-TRACED)		
07-12-2000	24894-SH	PROFORMA CHANGED, DS. CAT. NOS. ADDED, NEGATIVE RE-TRACED AND DRAWING PROV. RE-SEALED.		<i>Aulay</i>	<i>M. DAG</i>	MATERIAL: AS STATED		DGNR'S ARDE TA/94/25/5 REF. 3 SHTS, SHT. NO. 2
		PREVIOUS D.C. NOS. 23725-SA, 24425-SA.		COPY	COPY	H.T./HARDNESS:		PART NO.
DATE	AUTHY.	BRIEF RECORD		ZONE	I/C/D.O.	SIGN.		ORG. NO.
SEALED:-		PROV. SEALED D.C. 23725-SA, DT. 12-3-97				PROTECTIVE FINISH:		DS. CAT. NO. 1005-118588
NOMENCLATURE: BRUSH (PULL THROUGH)								

4030-002838

ON
DIMS. ARE IN m.m.

DRG CONVENTIONS CONFORM TO JSG:010-1
GEN. TOL. 'MEDIUM' IS:2102.



MARKING BY ETCHING ON SAMPLE AS SHOWN
IN THE DRG.

▽ YEAR OF MANUFACTURE

† MANUFACTURER'S CODE

NSN: B1/4030-72-002838

24-8-09	26461-SA	NSN ADDED			
28-07-03	25819-SA	MARKING NOTE AMENDED			
6-5-03	25742-SA	MARKING NOTE ADDED & MARKING PLACE SHOWN ON DRG.			
20-10-2000	24847-SA	D.S. CAT NO. 4030-002838 ADDED AND IN ASSY. COLUMN 1005-557944 WAS CQA(SA)SK-369			
26-07-99	24423-SA	NOMENCLATURE AMENDED			
05-07-99	24423-SA	DRG. PROV. SEALED			
DATE	AUTHY	ERIEF RECORD	ZONE	UC:PO	G.O.

SEALED PROV. DC. NO. 24423-SA DT. 05-07-99

DRM. <i>ANIL</i>	TRD.	COMP	AHSP CQA(SA)-ICHAFUR
SCALE :- 2:1	EST MASS.		
DT. 04.5.99	APPROVED. <i>ANIL</i>	DT. 04.5.99	ASSY. 1005-557944
MATERIAL - BRASS TO IS:4170 - Cu zn 30.			
HT/HARDNESS			DG NR'S REF. CQA(SA)SK-369
PROTECTIVE FINISH			PART No.
NOMENCLATURE - WEIGHT, PULL THROUGH CUM CLEANING PATCH ROD.			DRG No.
			DS CAT No. 4030-002838