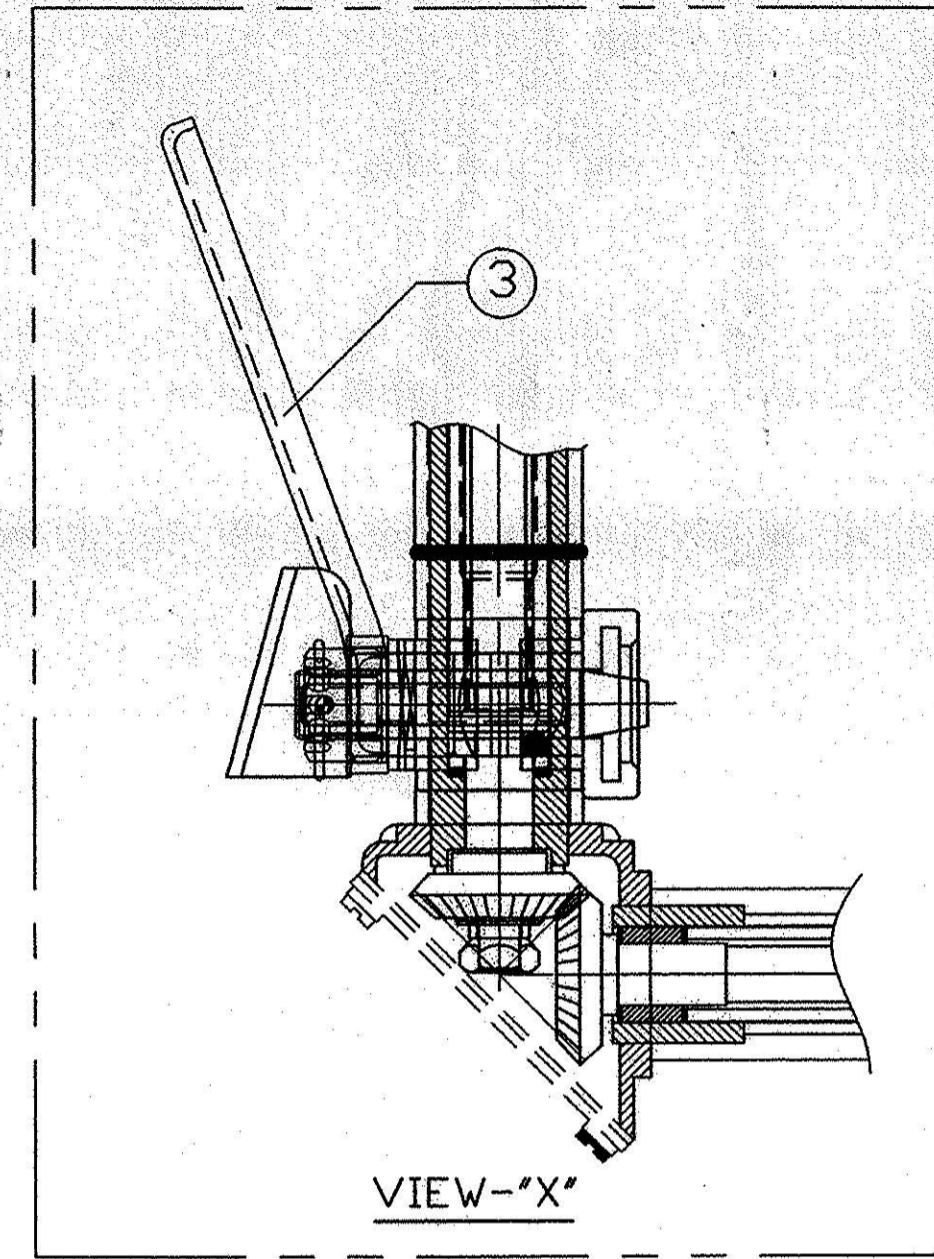
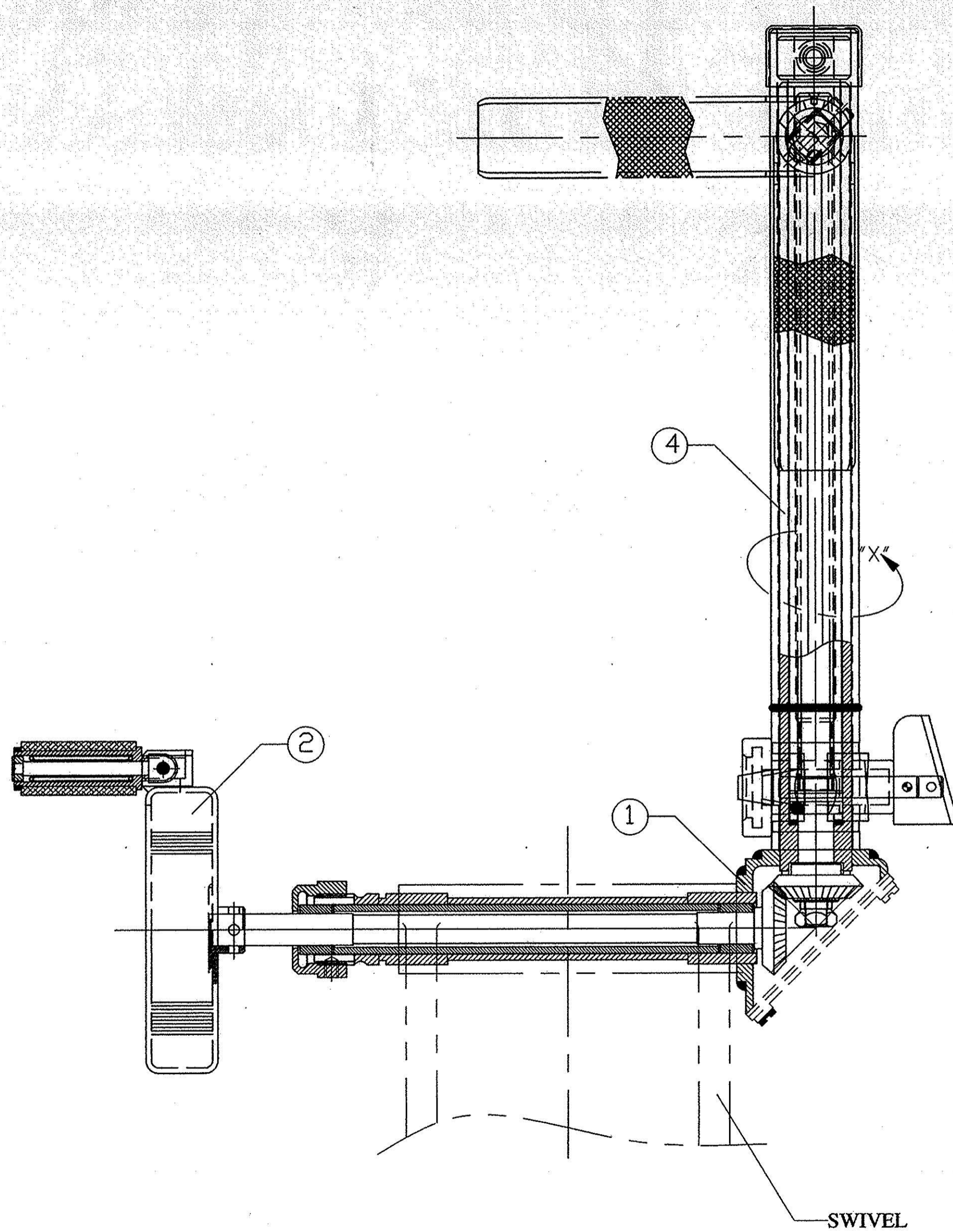


DO NOT SCALE THE DRAWING. IF ANY DOUBT ASK ORDNANCE DEVELOPMENT CELL.

UNSPECIFIED TOLERANCES CONFORM TO IS2102 MEDIUM CLASS.

REF. ASSEMBLY. DRG.NO-GL30 003GA
REF. SUB ASSY. DRG.NO-GL30

PROVISIONAL



ITEM NO	DESCRIPTION	DRAWING NO	QTY
4	ELEVATING PILLER	GL30 032A	1-UNIT
3	BRAKE ASSY.	GL30 031A	1-UNIT
2	ELEVATING WHEEL	GL30 030A	1-UNIT
1	HOUSING ASSEMBLY.	GL30 029A	1-UNIT

OFT DRG. No. 45P 6400

DIMENSIONS ARE IN MM.			
ITEM NO.	NO. OFF	MATERIAL	DESCRIPTION
LIST OF PARTS			
Schedule No.		Compl. : ELEVATING MECH. FOR	
Scale: 1:1		TRIPOD MOUNTING(GL 30 003GA)	
Projection Third Angle		St. Drg. No. : GL30 001	
Drawn By: S.K.SUR		ELEVATING MECHANISM	
Traced By:		DRG. NO.: GL30 013MA	
Checked By:		M/C:	
Approved By:		NO. OF SHEETS:	
DT. & SG.	DESCRIPTION	APPROVED BY:	G & S FY. COSSIPORE
DATE:	SIGR.:		SHEET NO.:

SWIVEL