

1) HANDLE CLIP

*MATERIAL: MS TO IS 513 -1996 COLD ROLLED AND ANNEALED TYPE 'D' BEST SURFACE.

2) HANDLE

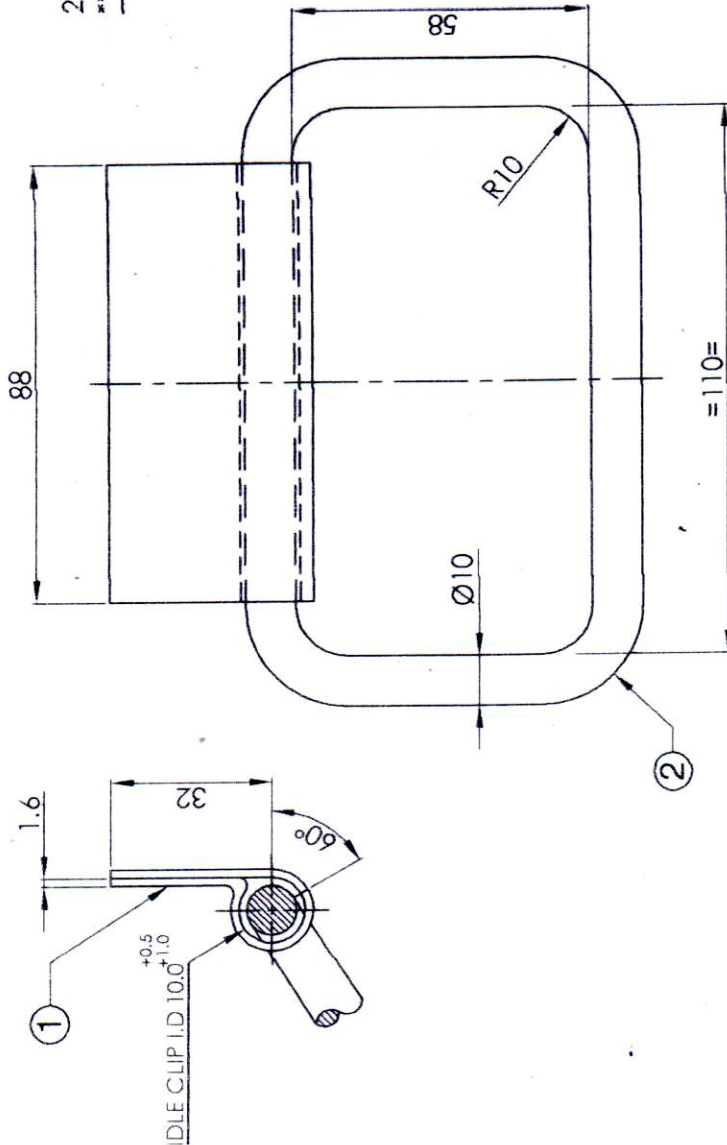
**MATERIAL: BAR STEEL TO SPEC IS 2062:1992 Gr. Fe 410 WB

NOTE:

i) THIS HANDLE WITH HANDLE CLIP ASS. USED IN BOX C48A, C38A, M35A, G70, C51A, C52A, C43A, C44A, CARRIER 6A/L, 7A/L, BOX 120MM ARJUN, M35, C38A, C43A, G70, SM987, SM651, SM205, SM601 & SM170, **SM 171L**, Box SM 642c.

ii) THESE DRGS ARE MADE AS PER STANDARDISATION PROPOSAL OF O.F. BHUSAWAL.

iii) THIS DRG. SUPERSEEDS DRG NO. OFB-C-1396



25 JUL 2014

आरेखन की नवीनतम प्रति आरेखन कार्यालय, आयुध विभागी, भुसावल द्वारा जारी की गई है।
Latest Copy of Drawing released by Drawing Office, Ordnance Factory, Bhusawal.

आरेखन कार्यालय,
Head of Section, Drawing Office,

| ITEM | DESCRIPTION | QTY. | MATL. | TREATMENT | REMARKS |
|--|-------------|------------|---|------------------|---------|
| TITLE:- | | | | | |
| HANDLE WITH HANDLE CLIP ASSEMBLY. | | | | | |
| HA1 | | | | | |
| (REF. PART NO. ISV-2091) | | | | | |
| NOTE:- 1) ALL DIMENSIONS ARE IN MM. 2) UNSPECIFIED TOLERANCES AS PER IS 2102 (MED). | | | | | |
| R.NO. | DATE | DC 36970-A | DRG SEALED & COMPONENTS STANDARDISED | SIGN. | |
| | | | REVISION | | |
| | | | DRG. SEALED :- | | |
| | | | SCALE: 1:1.5 | ORDNANCE FACTORY | |
| | | | | BHUSAWAL | |
| | | | ID NO: C/DRG_3/STD_COMP/HANDLE_CLIP_ASSY. | | |
| | | | DRG. NO: | OFB/C/1564 | |