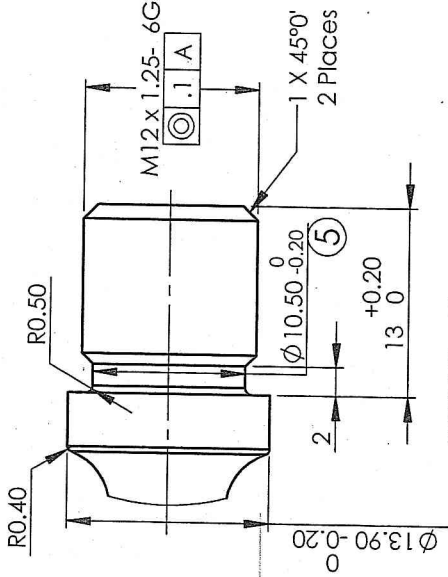
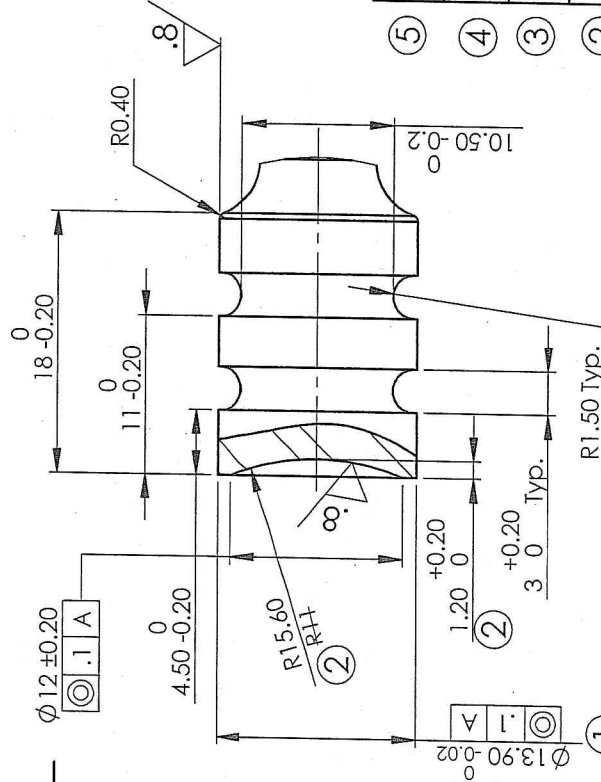


UN CONTROLLED COPY
CERTIFIED CORRECT COPY OF APPROVED
DRAWINGS AT THIS DATE. 09/19/21

DESIGN & DRAWING OFFICE,
ORDNANCE FACTORY, TIRUCHIRAPPALI-620 016.



DETAIL - K



DETAIL - L

Material : Steel BS:970 Pt.1,1983 Sec.5 420-S27 S37
(4) (or) En 56c

Macro Etch Test as per ASTM-381 with
i. Acceptance Std. C2 R2 S2
ii. NMIR Test as Per IS:4163-82

Hardness: 390-450 HV



DA.No. 48/21 Dt.: 08/09/21		SIGNATURE & DATE.	TRACED		SUB: GAS PISTON BLANK	SCALE NTS
DA.No. 30/21 Dt.: 22/04/21			DRAWN		FOR: Bolt Carrier Assy	QPG 1
DA.No. 66/20 Dt.: 30/10/20			CHECKED		OF: TRICHY ASSAULT RIFLE	Weight (g) 1
DA.No. 30/20 Dt.: 27/05/20			OIC/D&DO		DES.REF.NO: K-2002	
DA.No. 44/18 Dt.: 17/09/18			OFFICER/ PRODN. D&DO		DRG. TEND 2547* 2345	
AMENDMENTS & DATE	SIG. & DATE	APPROVED ON: 11/12/2017			ORDNANCE FACTORY TIRUCHIRAPPALI-16	SHEETS: 1 SHEET No.: 1

- (5)
- (4)
- (3)
- (2)
- (1)