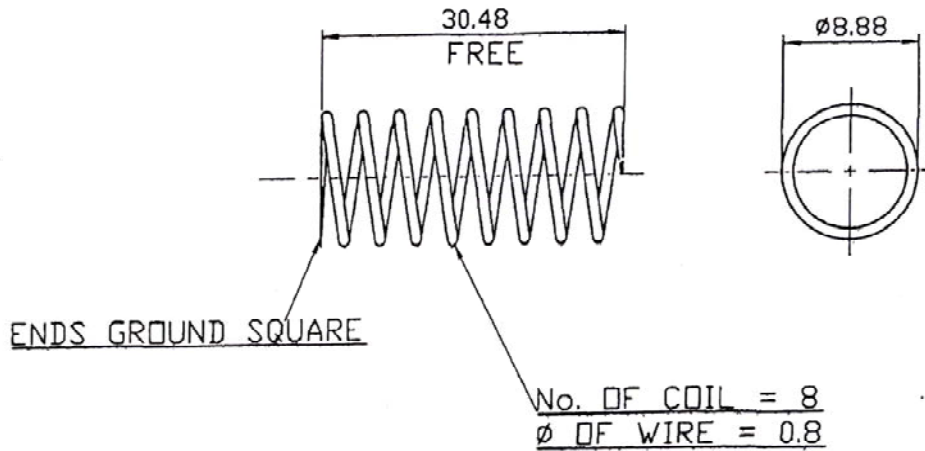


TRIPOD X-155 SPRING, COMPRESSION, TOOL

(1) FOR EXPLANATION OF DIMENSIONS ETC., SEE CQA(II) GUIDE NO.- 001-2016
(3) THIRD ANGLE PROJECTION

(2) ALL DIMENSIONS ARE IN MILLIMETERS.


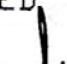


FOR TRADE USE
Date of Issue 14/01/2020

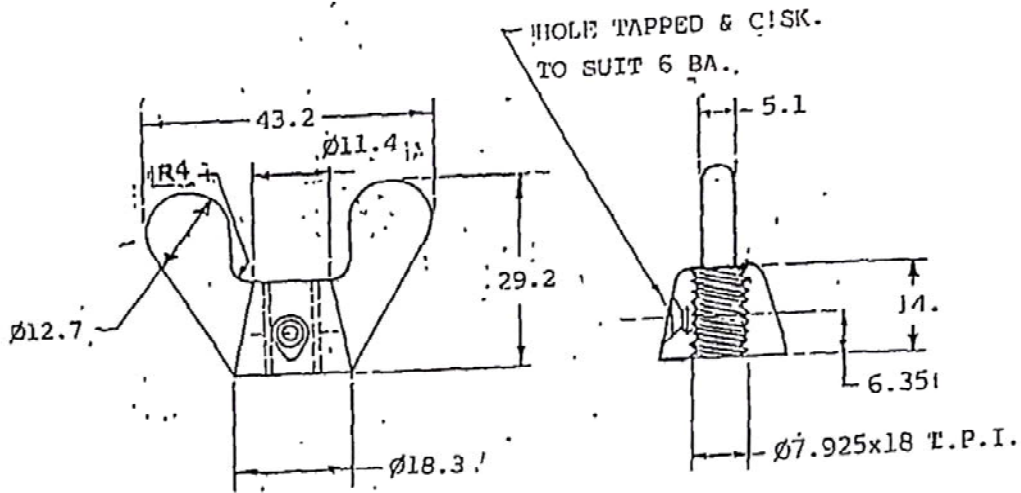
MATL.- STEEL WIRE, Gd- 1 TO IS:4454 (PT-4) -2001
FINISH- CLEAN

ORDNANCE FACTORY, DEHRADUN.

DC: 2908-I (P)

			DR.- P.C.SINGH	DT.-12.05.15	SCALE: N.T.S.
			TR.-	MATL. AS ABOVE	FINISH AS ABOVE
			CH. ✓	SHEETS-1	SHTNO.-1
DC: 2908-I (P) DRG PROV SEALED	25-3-19		APPROVED	DRAWING NO. CWC-241/23	
AMENDMENTS.	DATE	SIG			
OF D/DO/002			<div style="display: flex; justify-content: space-around;"> <div style="text-align: center;">  [A. Singh] JWM/DO. </div> <div style="text-align: center;">  [T. Khattar] DGM/P </div> </div>		

FOR EXPLANATION OF DIMENSIONING ETC, SEE 'CQA(I) GUIDE No. 001-1992'
 THIRD ANGLE PROJECTION
 DIMENSIONS ARE IN mm



FOR TRADE CHG
 Date of Issue 14/01/2020
 Ref

DC(I): -5028-S, 1310-I, 3900-I, 5150-I, 5726-I
 POLYESTER NEGA PREPARED AT CQA(I) DEHRA DUN
 PREPARED BY: J. S. Saini
 CHECKED BY: J. S. Saini
 DATE: 20-7-73

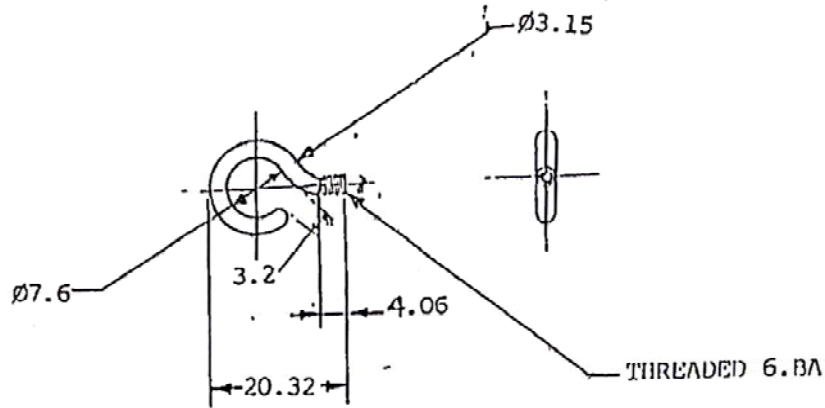
				DRN	Sd/-	APPROVED
				TCD	Sd/-	FOR
				CHD	Sd/-	CONTROLLER
				CHD		CQA(I) D. DUN
				USED		DATE:-
				ON		CTI-641
				BASED		IDW (OS) 42 DET, 4,
				ON		5310+011158
				CAI/PT		
				No.		OS-6621
				SUPPL.		
				No.		
				SCALE	NTS	SH OF

D.C.: 5726-I: - DRG. REVISED & NEW COPY
 SERLED IN SUPERSESSION OF EXISTING ONE.

SYMO AMENDMENTS CHD SIG DATE
 MATL & SPEC GUNMETAL, IS: 306-1983
 FINISH & SPEC APPLY PRIMER TO IS: 2074-1979, THEN PAINTED WITH
 PAINT TO IS: 168-1973 (ISC-220 OR 225 OF IS: 5-1978)
 EXCEPT BEARING SURFACES

WING NUT

FOR EXPLANATION OF DIMENSIONING ETC, SEE CQA(I) GUIDE No. 001-1992
 THIRD ANGLE PROJECTION DIMENSIONS ARE IN mm



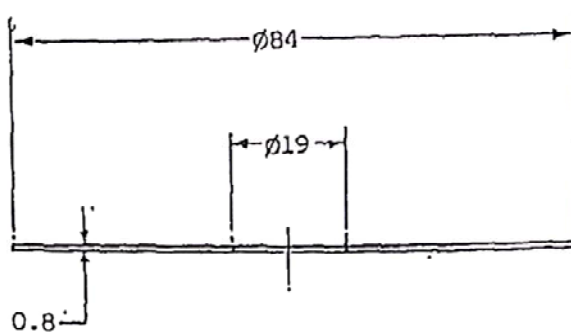
FOR TRADE OFF
 Date of Issue - 14/07/93
 Ref

DC(I) :- 5025-S, 3900-I, 5150-I, 5726-I.

FOYESTER NEG. PREPARED AT CQA(I) DEHRA DUN
 PREPARED BY : J. S. N. S.
 CHECKED BY : S. S. N. S.
 DATE: 20.7.93

					DRN	sd/=	APPROVED
					TCD	sd/=	FOR sd/=
					CHD	sd/=	CONTROLLER
					CHD		CQA(I) D. DUN
							DATE:-
	D.C.:- 5726-I :- DRG. REVISED & NEW COPY SIGNED IN SUPERSESION OF EXISTING ONE.			sd	sd	24.7.93	USED
SYMB	AMENDMENTS			CHD	SIG	DATE	ON
MATL & SPEC	BRASS WIRE TO IS:4413-1981						BASED ON
FINISH & SPEC	APPLY PRIMER TO IS:2074-1979, THEN PAINTED WITH PAINT TO IS:168-1973 (ISC-220 OR 225 OF IS:5-1978) EXCEPT BEARING SURFACES.						CAI/PI No.
EYE, HOOK							SUPPL. No.
							05-10608
				SCALE	NTS	SH	OF

FOR EXPLANATION OF DIMENSIONING ETC, SEE CQA (I) GUIDE No. 001-1992
 THIRD ANGLE PROJECTION DIMENSIONS ARE IN mm



6-HOLES EQUALLY SPACED, PUNCHED TO CLEAR No. 8BA. (TO SUIT OS. 11528) ON ASSEMBLY.

(a)

NOTE:- ANTIFUNGUS TREATMENT TO BE GIVEN.

FOR TRADE USE
 Date of Issue 14/01/20
 Ref

DC(I):-5028-S, 2034-I, 3900-I, 5150-I, 5726-I, 5914-I.

POLYESTER NEG. PREPARED AT CQA (I) DEIRA DUN
 PREPARED BY : Jiglan
 CHECKED BY : [Signature]
 DATE: 20-7-93

					DRN	Scl/:	APPROVED
					TCD	Scl/:	FOR Scl/:
					CHD	Scl/:	CONTROLLER
					CHD		CQA(D). DUN
(a)	D.C:-5914-I:- NOTE ADDED.			3.12.94	CHD		DATE:-
	D.C:-5726-I:- ORG. REVISED A NEW COPY SERLED IN SUPERSESSON OF EXISTING ONE.			24.7.93	USED		CII-641
SYMB	AMENDMENTS	CHD	SIG	DATE	ON		
MATL & SPEC	LEATHER, IS: 580-1973.				BASED ON		IDW(OS)42 Det. 19
FINISH & SPEC	TANNED				CAI/PT No		5340-007325
CAP, PROTECTIVE, DUST & MOISTURES					SUPPL. No		OS-6625
					SCALE	NTS	SH OF

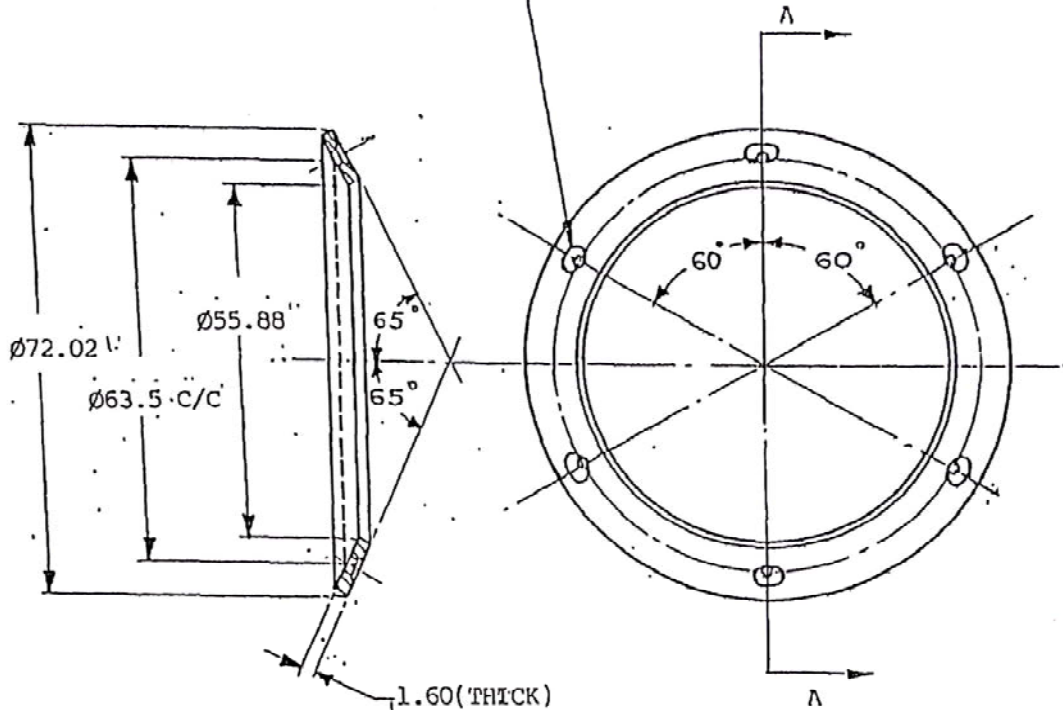
FOR EXPLANATION OF DIMENSIONING ETC, SEE CQA(I) GUIDE No. 001-1992
 THIRD ANGLE PROJECTION DIMENSIONS ARE IN mm

DRILLED WITH 6 HOLES OR 5 HOLES, DEMANDS MUST INDICATE THE TYPE

REQUIRED (D.C. (I): -2292-S, ILC: -A.10222)

NOTE:-
 IF RINGS WITH 5 HOLES
 ARE REQUIRED THEY SHOULD
 BE SPACED 72°

DC(I): -2292-S
 5 OR 6 HOLES, EQUALLY SPACED
 DRILLED & CSK TO CLEAR
 No. 8 BA. (TO SUIT OS.11528)



SECTION AA

FOR TRADE ONLY
 Date of Issue 14/01/2020
 Raje

DC(I): -2292-S, 5028-S, 2364-I, 3900-I, 5150-I, 5726-I

POLYESTER NEG. PREPARED AT CQA(I) DEBRA DUN
 PREPARED BY : *Ju. S. G.*
 CHECKED BY : *g. n. i. f.* DATE: 20.7.93

					DRN	scf/-	APPROVED
					TCD	scf/-	FOR scf/-
					CHD	scf/-	CONTROLLER
					CHD		CQA(D). DUN
					USED		DATE:-
					ON		CII-641!
					BASED		IDW(OS) 42 DET, 10!
					ON		
					CAT/PT		5365-004678
					No.		
					SUPPL.		OS-6622!
					No.		
					SCALE	NTS	SH OF

D.C. - 6726-I:-DRG. REVISED & NEW COPY
 SERIALIZED IN SUPERSESION OF EXISTING ONE.

SYMB AMENDMENTS CHD SIG DATE
 MATL & SPEC BRASS SHEET, CuZn30, HB TO IS:410-1977
 FINISH & SPEC APPLY PRIMER TO IS:2074-1979; THEN PAINTED WITH
 PAINT TO IS:168-1973 (ISC-220 OR 225 OF IS:5-1978)
 EXCEPT BEARING SURFACES

RING RETAINING