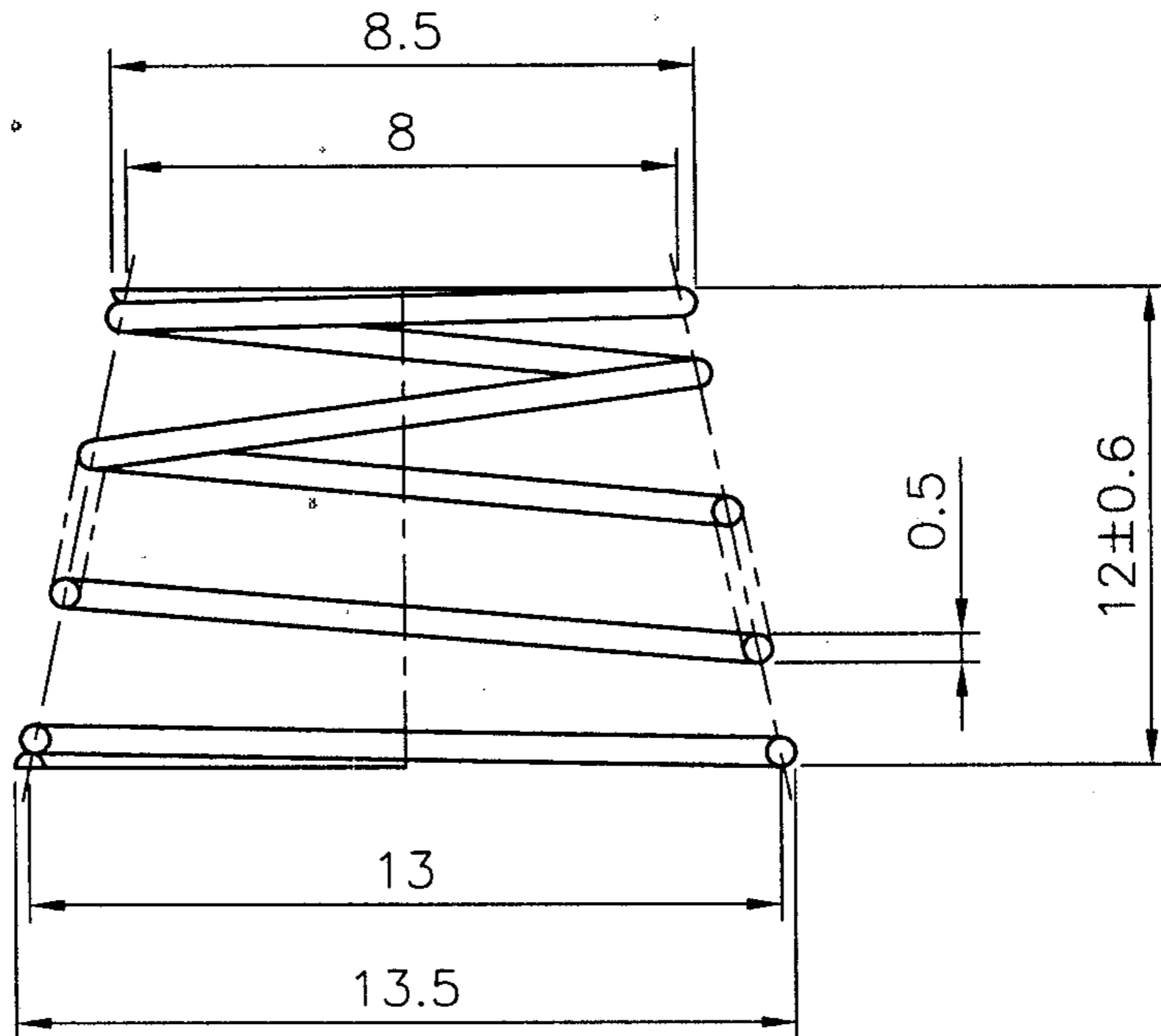


DRG. No. 6 115 658

ALL DIMENSIONS ARE IN mm UNLESS OTHERWISE STATED



NUMBER OF EFFECTIVE TURNS 3+2.5 DEAD TURNS

LOAD $P_i = 0.10 \pm 0.02 \text{ kg}$ AT $L=6$ ($\tau = 27 \text{ kg/mm}^2$)

LOAD $P_k = 0.135 \pm 0.02 \text{ kg}$ AT $L=4$ ($\tau = 36 \text{ kg/mm}^2$)

P.No.	NOMENCLATURE	No. OFF	MATERIAL	HARDNESS	STANDARD	REMARKS
GEN. TOL. NOT SPECIFIED						FOR SF. GM G.C.Fy.
LINEAR DIMENSIONS						
0-6	±0.1				2015	NAME DATE
6-30	±0.2				DRN.	SANJAY 11/08
30-120	±0.3				CKD.	K.L.VERMA 21/05
120-315	±0.5					
315-1000	±0.8					
1000-2000	±1.2					
ANGULAR DIMENSIONS		INDEX	AMENDMENTS	SIGN	DATE	APPROVED
0-10°	±1'					
10-50°	±30'					
50-100°	±20'					
>100°	±10'					
~ UNMACHINED		<h1>SPRING</h1>				
▽ ROUGH						
▽▽ SMOOTH						
▽▽▽ FINISH						
		GUN CARRIAGE FACTORY, JABALPUR			MATERIAL IS:4454-Pt-1-2001, Gde DM	
					SCALE	REF.DRG.NO.
					ASSY/SUB ASSY NO. 1154606	
					DRG. No. 6 115 658	
					SHEET NO. OF SHEETS	