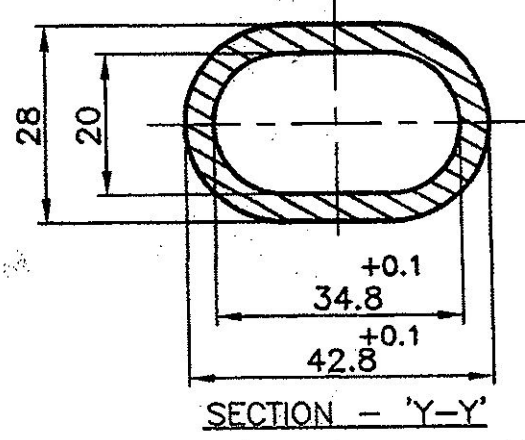
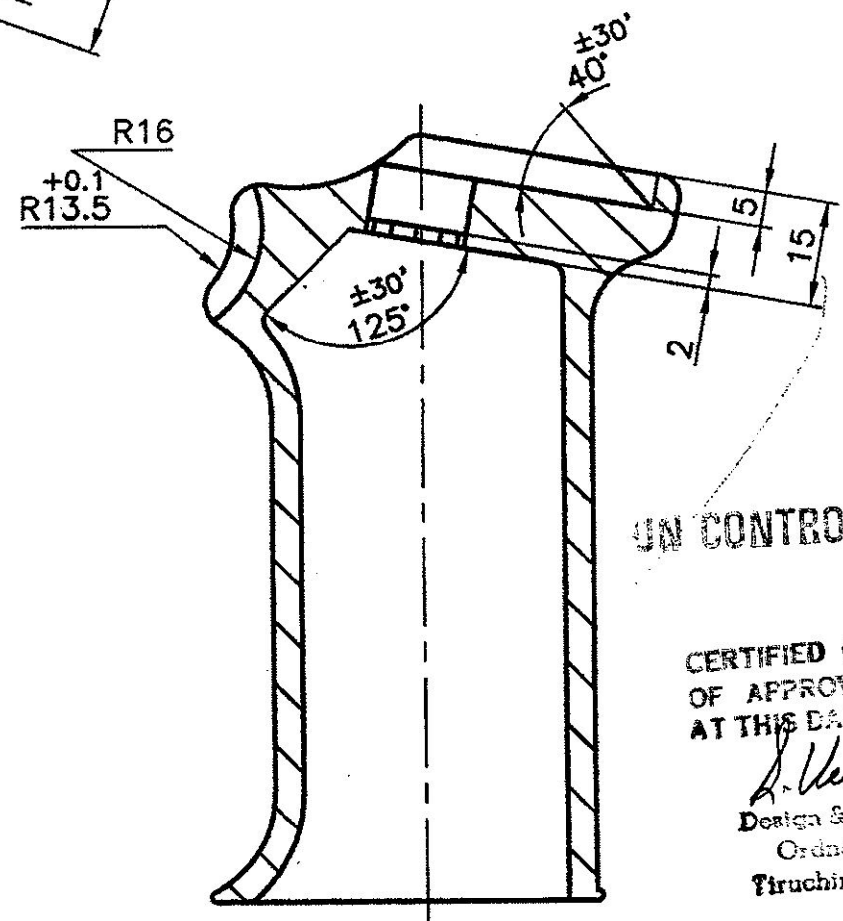
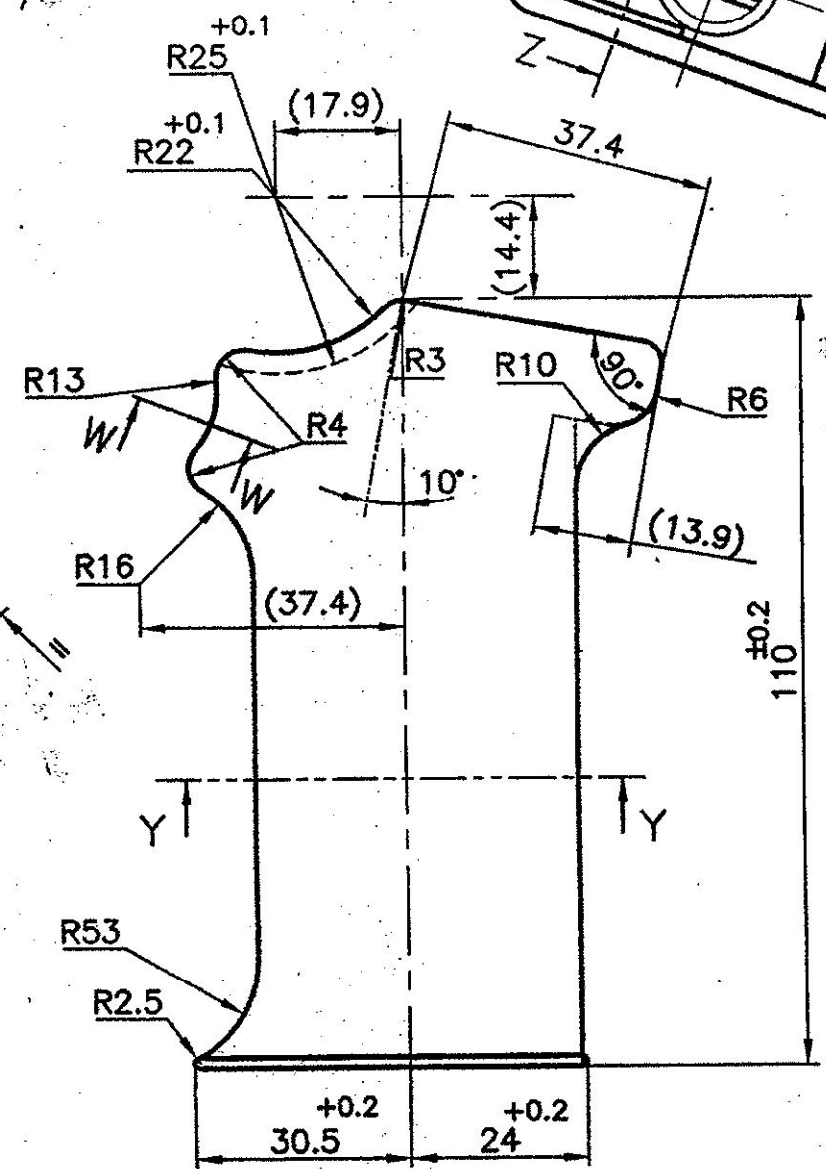
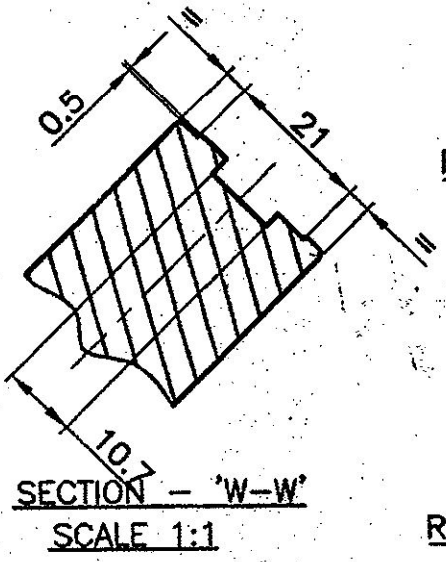
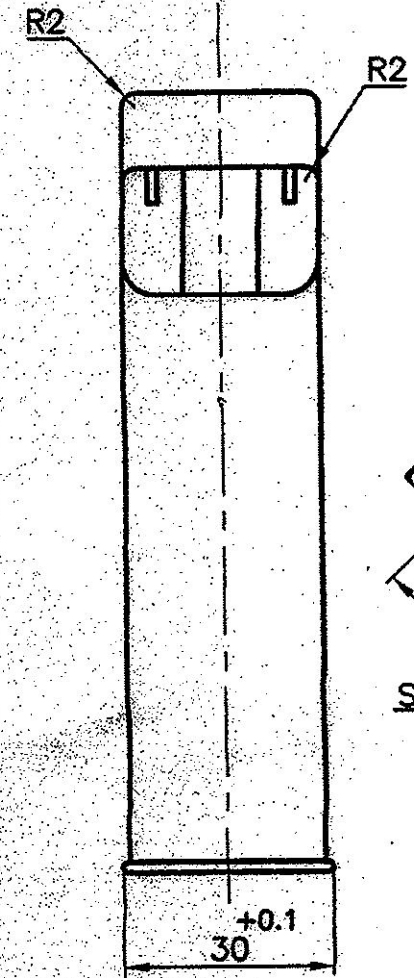
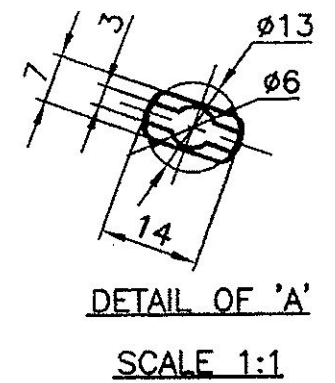
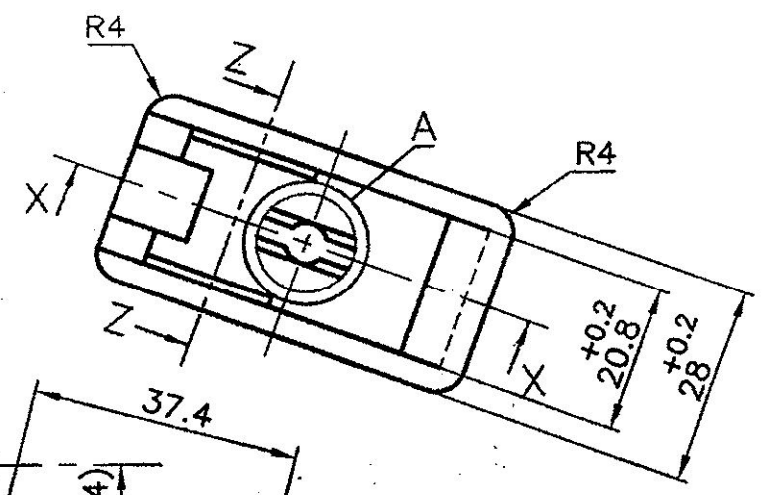
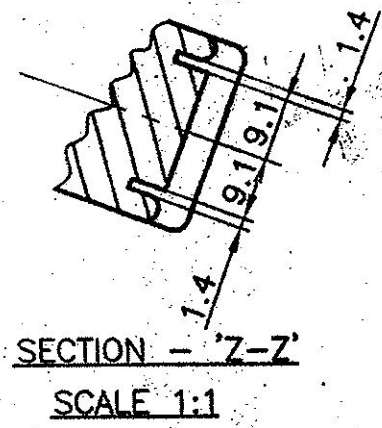


A  
B  
C  
D  
E  
F

A  
B  
C  
E  
F



MATL : NYLON 6 BLACK.

DIMENSIONS ARE IN mm.  
UNTOLERATED DIMNS. AS PER IS : 2102 (MED)  
SHARP CORNERS SHOULD BE BLUNT TO R 0.5

ON CONTROLLED COPY

CERTIFIED CORRECT COPY  
OF APPROVED DRAWING  
AT THIS DATE 30/3/2015  
*S. Venkatar*  
Design & Drawing Officer  
Ordnance Factory,  
Tiruchirappalli-620016.

AMENDMENTS	SIG. & DATE	SIGNATURE & DATE.	SUB: GRIP REAR.	SCALE NTS
		TRACED	FOR: REAR FRAME & TRIGGER MECHANISM GROUP.	STORE DRG. NO. ---
		DRAWN <i>S. Venkatar</i>	OF: 40mm MGL.	OPERATION NO. ---
		CHECKED	DES. REF. NO.	SHEETS: 1
		HOS/D&DO <i>S. Venkatar</i>	DRG. No.: 30P 3023	SHEET No.: 1
		APPROVED ON. 25/02/2015	ORDNANCE FACTORY TIRUCHIRAPPALLI-16.	