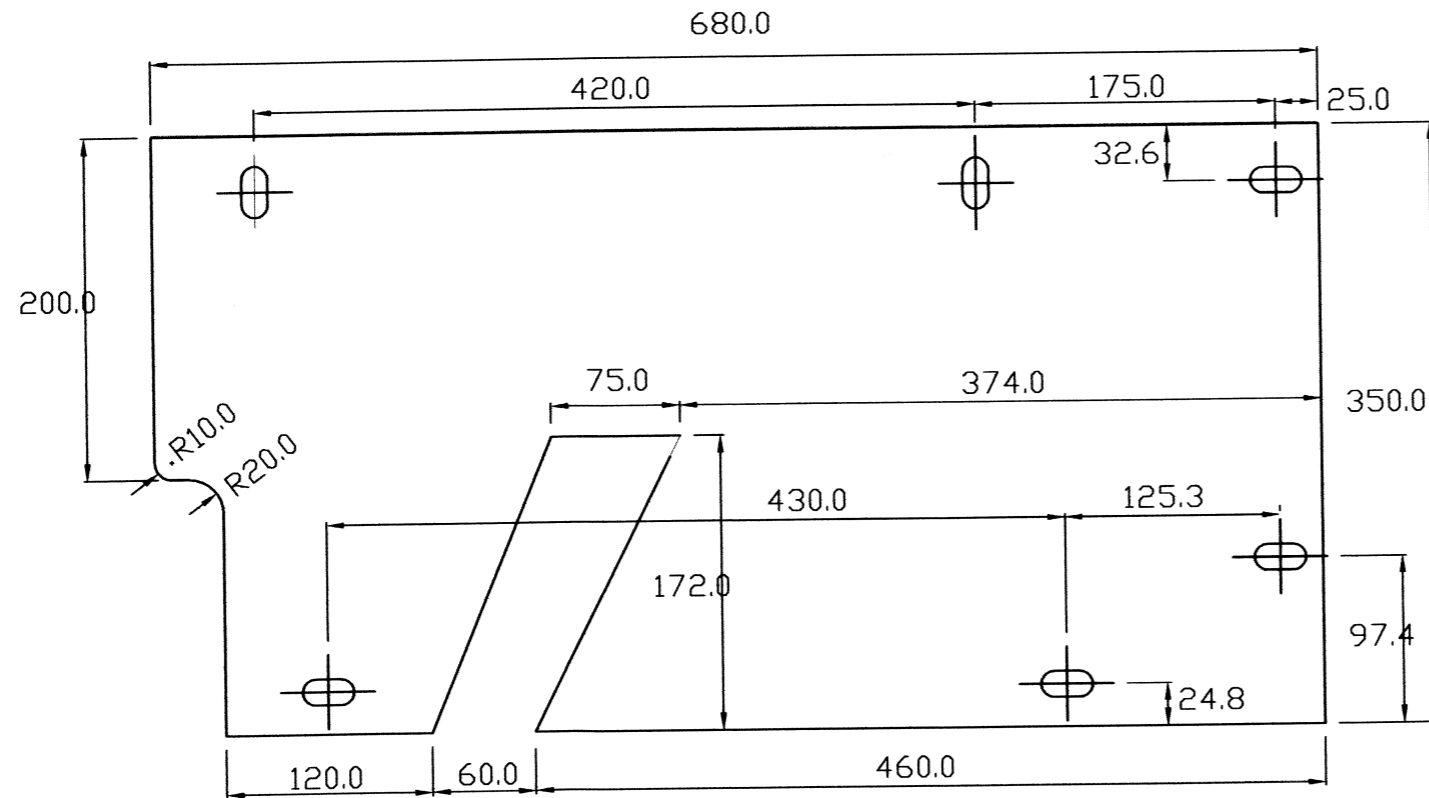
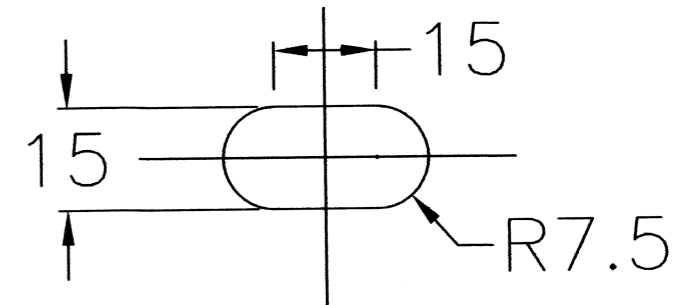


01- PARTITION PLATE UPPER (DRIVER SIDE)



SLOT DETAILS



NOTE:-

- 1- PILOT SAMPLE TO BE APPROVED BEFORE BULK SUPPLY.
- 2- ALL THE DIMENSIONS ARE IN mm.
- 3- UNSPECIFIED LIMIT DEVIATIONS ARE ± 1 mm.
- 4- TWO COAT OF OLIVE GREEN PAINTING OVER ONE COAT OF RED OXIDE COATING AFTER PRE- TREATMENT OF PLATE

APPROVED BY

JT.GM/V

01	PARTITION PLATE UPPER	01	ST34-IS:1079 (2MM THICK)	—	AS SHOWN	—
ITEM	DESCRIPTION	NO. OFF.	MAT.	STD.	SIZE / WT.	REMARKS
					HOS / VDO	WM / BS
INDEX	ALTERATION	DATE	SIGN.	C. SINGH DRN BY	CKD.	APPD.
DIM.	TOL.	PARTITION PLATE,UPPER (DRIVER SIDE) M.P.V.(ARMY VERSION)			NEW REF. DRG. NO.	1:1 SCALE
0-30	± 0.1				MACHINE	27-04-10 DATE
30-250	± 0.2				M.P.V.	1/1 SHTS.
250-800	± 0.3				REF. DEM. NO.	
800-2000	± 0.5					
>2000	± 0.8					
	GEN. TOL.					
V. D. O.				VEHICLE FACTORY JABALPUR		DRG.NO.- 115-31-0012-1