

8 7 6 5 4 3 1

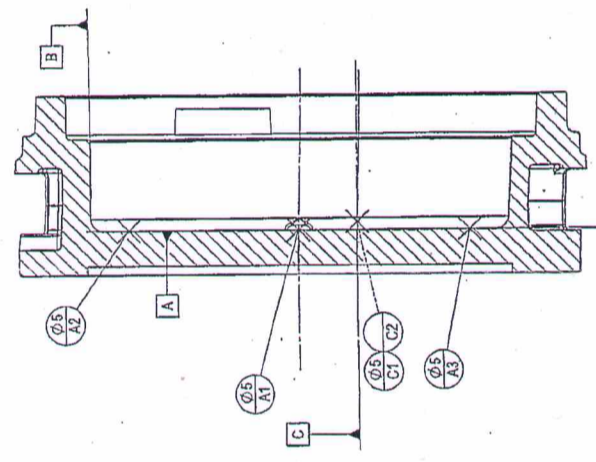
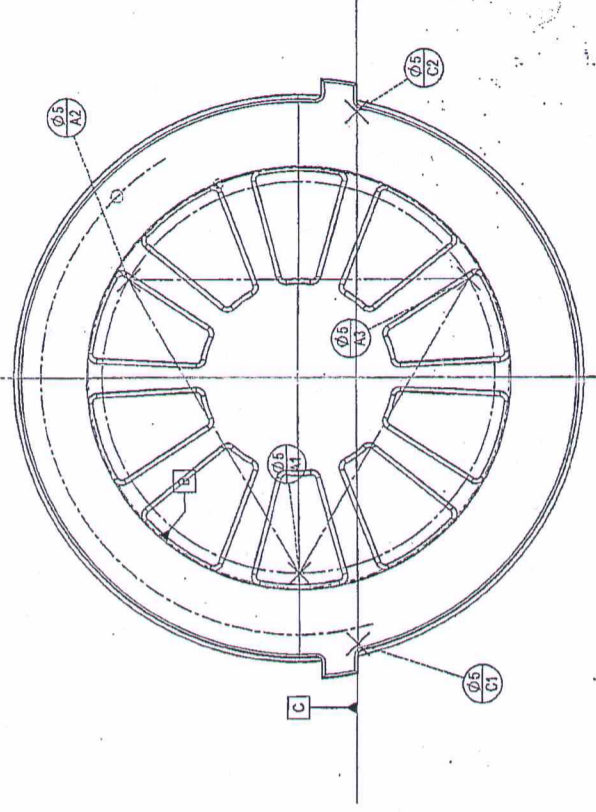
THIS DOCUMENT AND THE INFORMATION CONTAINED HEREIN ARE PROPRIETARY AND CONFIDENTIAL TO OPI. NO PERSON OR ENTITY IS ALLOWED TO COPY, REPRODUCE, OR DISSEMINATE THIS INFORMATION IN ANY FORM OR BY ANY MEANS, ELECTRONIC OR MECHANICAL, INCLUDING PHOTOCOPYING, RECORDING, OR BY ANY INFORMATION STORAGE AND RETRIEVAL SYSTEM, WITHOUT THE WRITTEN PERMISSION OF OPI. ANY UNAUTHORIZED USE OF THIS INFORMATION IS PROHIBITED AND WILL BE PUNISHED AS A VIOLATION OF FEDERAL LAWS AND REGULATIONS. OPI WILL BE RESPONSIBLE FOR THE PROTECTION OF THIS INFORMATION AND WILL TAKE ALL NECESSARY ACTIONS TO PREVENT UNAUTHORIZED DISCLOSURE. OPI WILL NOT BE RESPONSIBLE FOR ANY DAMAGE OR LOSS OF PROFITS, BUSINESS, OR REPUTATION, OR FOR ANY SPECIAL, INCIDENTAL, OR CONSEQUENTIAL DAMAGES, WHETHER IN A CONTRACT OR TORT, ARISING FROM OR OUT OF THE USE OF THIS INFORMATION.

UN CONTROLLED COPY
IDENTIFIED CORRECT COPY
OF APPROVED DRAWINGS
AT THIS DATE 27-03-2008

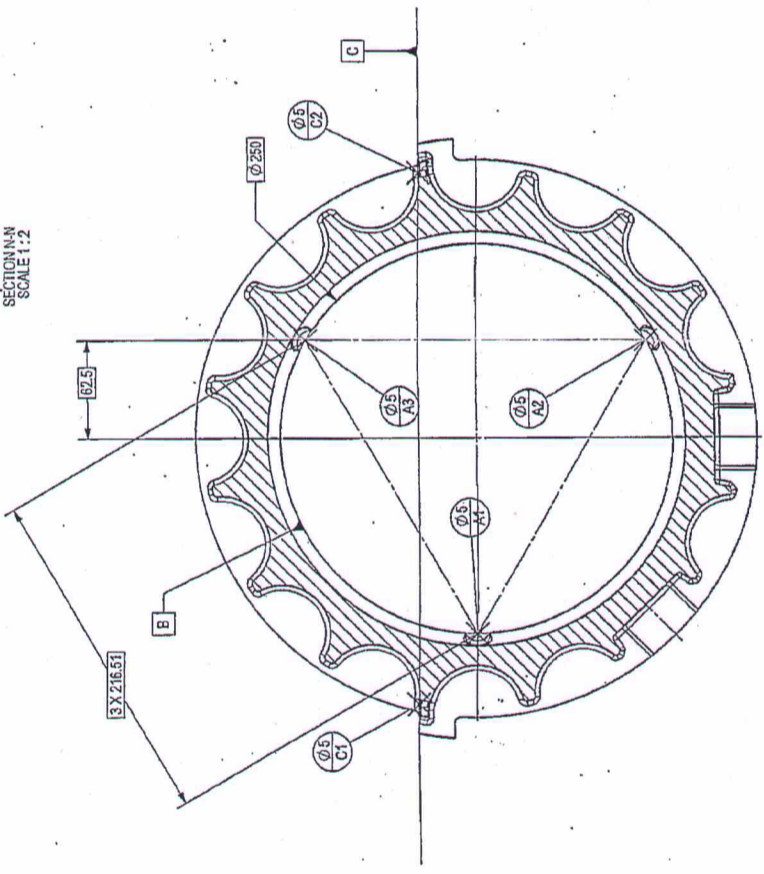
SHEET REV STATUS
 ALL SHEETS ARE THE SAME REVISION

REV	ECD	DESCRIPTION	DATE	AP/D
01	2	REWORK	24-03-07	O. BARNAB
02	1	REWORK	19-06-07	O. BARNAB
03	1	REWORK	20-06-07	O. BARNAB

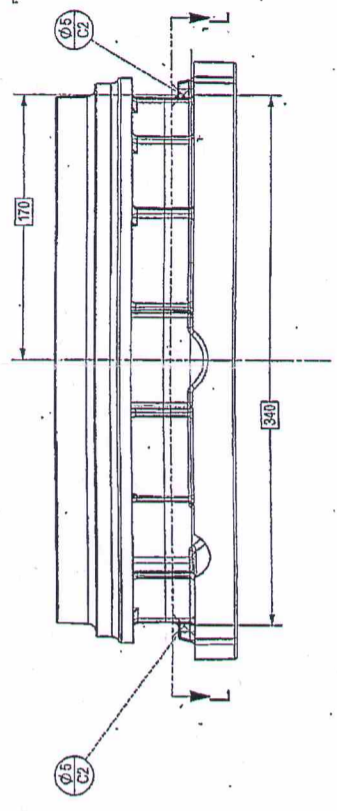
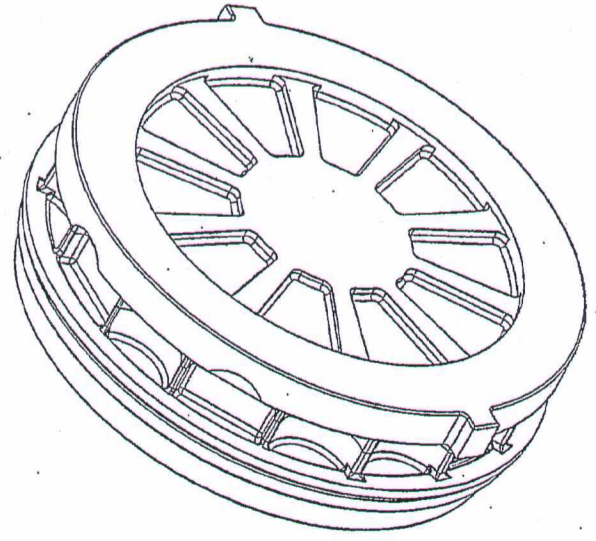
- NOTES:**
- INTERPRET THIS DRAWING IN ACCORDANCE WITH ASME Y14.100M.
 - MATERIAL: ALUMINUM ALLOY A357.0 TO PER AMS-A-21100 CL12.
 - FINISH: UNLESS OTHERWISE SPECIFIED, ALL SURFACES SHALL BE IN ACCORDANCE WITH AMS-STD-2175 GRADE Q.
 - HEAT TREATMENT: ACC. TO AMS STD. 2771-76.
 - WELDING IS PERMITTED, ONLY BEFORE THE HEAT TREATMENT OF THE CASTING AND SHALL BE IN ACCORDANCE WITH AMS-STD-2175 GRADE Q.
 - GENERAL TOLERANCE: UNLESS OTHERWISE SPECIFIED, ANGULAR ±1°.
 - MISMATCH ON PARTING LINES SHALL BE GRUNDED.
 - ROUGHNESS OF CAST SURFACES SHALL BE 250 MICROMETER RMS OR BETTER UNLESS OTHERWISE SPECIFIED.
 - UNLESS OTHERWISE SPECIFIED, ALL CORNERS SHALL BE ROUNDED TO R1.5 UNLESS OTHERWISE SPECIFIED.
 - ALL DIMENSIONS SHALL BE IN MILLIMETERS UNLESS OTHERWISE SPECIFIED.
 - DRAFT ANGLES 2° MAX. TO ADD MATERIAL DIRECTION.
 - IDENTIFICATION OF PRODUCT: 11.1 PRODUCT PART NUMBER AND REVISION SHALL BE ENDEMBOSSED IN MOLD IN THE LOCATION SHOWN.
 - SERIAL NUMBER SHALL BE PERMANENTLY MARKED BY VIBRATION OR ELECTRIC PEN IN THE LOCATION SHOWN.
 - QUALITY ASSURANCE PROVISIONS: 12.1 QUALITY ASSURANCE PROVISIONS FOR THIS ITEM PER ROM000080P.
 - THE FINISHED PART SHALL BE PRESERVED AND PACKAGED IN ACCORDANCE WITH MANUFACTURERS COMMERCIAL PRACTICE.



SECTION A-A
SCALE 1:2



SECTION B-B
SCALE 1:2



UNLESS OTHERWISE SPECIFIED		ORDNANCE FACTORY	
DIMENSIONS ARE IN MM PER ASME Y14.5-2000	ORDNANCE FACTORY	TIRUCHIRAPPALLI	
TOLERANCES	LINEAR	ANGULAR	14. ANGLE PROJECTION
	±0.15	±0.5	
	±0.25	±0.5	
	±0.5	±0.5	
	±1.0	±0.5	
	±1.5	±0.5	
	±2.0	±0.5	
	±3.0	±0.5	
	±4.0	±0.5	
	±5.0	±0.5	
	±6.0	±0.5	
	±7.0	±0.5	
	±8.0	±0.5	
	±9.0	±0.5	
	±10.0	±0.5	
	±12.0	±0.5	
	±15.0	±0.5	
	±20.0	±0.5	
	±25.0	±0.5	
	±30.0	±0.5	
	±40.0	±0.5	
	±50.0	±0.5	
	±60.0	±0.5	
	±70.0	±0.5	
	±80.0	±0.5	
	±90.0	±0.5	
	±100.0	±0.5	
	±120.0	±0.5	
	±150.0	±0.5	
	±200.0	±0.5	
	±250.0	±0.5	
	±300.0	±0.5	
	±400.0	±0.5	
	±500.0	±0.5	
	±600.0	±0.5	
	±700.0	±0.5	
	±800.0	±0.5	
	±900.0	±0.5	
	±1000.0	±0.5	
	±1200.0	±0.5	
	±1500.0	±0.5	
	±2000.0	±0.5	
	±2500.0	±0.5	
	±3000.0	±0.5	
	±4000.0	±0.5	
	±5000.0	±0.5	
	±6000.0	±0.5	
	±7000.0	±0.5	
	±8000.0	±0.5	
	±9000.0	±0.5	
	±10000.0	±0.5	
	±12000.0	±0.5	
	±15000.0	±0.5	
	±20000.0	±0.5	
	±25000.0	±0.5	
	±30000.0	±0.5	
	±40000.0	±0.5	
	±50000.0	±0.5	
	±60000.0	±0.5	
	±70000.0	±0.5	
	±80000.0	±0.5	
	±90000.0	±0.5	
	±100000.0	±0.5	
	±120000.0	±0.5	
	±150000.0	±0.5	
	±200000.0	±0.5	
	±250000.0	±0.5	
	±300000.0	±0.5	
	±400000.0	±0.5	
	±500000.0	±0.5	
	±600000.0	±0.5	
	±700000.0	±0.5	
	±800000.0	±0.5	
	±900000.0	±0.5	
	±1000000.0	±0.5	
	±1200000.0	±0.5	
	±1500000.0	±0.5	
	±2000000.0	±0.5	
	±2500000.0	±0.5	
	±3000000.0	±0.5	
	±4000000.0	±0.5	
	±5000000.0	±0.5	
	±6000000.0	±0.5	
	±7000000.0	±0.5	
	±8000000.0	±0.5	
	±9000000.0	±0.5	
	±10000000.0	±0.5	
	±12000000.0	±0.5	
	±15000000.0	±0.5	
	±20000000.0	±0.5	
	±25000000.0	±0.5	
	±30000000.0	±0.5	
	±40000000.0	±0.5	
	±50000000.0	±0.5	
	±60000000.0	±0.5	
	±70000000.0	±0.5	
	±80000000.0	±0.5	
	±90000000.0	±0.5	
	±100000000.0	±0.5	
	±120000000.0	±0.5	
	±150000000.0	±0.5	
	±200000000.0	±0.5	
	±250000000.0	±0.5	
	±300000000.0	±0.5	
	±400000000.0	±0.5	
	±500000000.0	±0.5	
	±600000000.0	±0.5	
	±700000000.0	±0.5	
	±800000000.0	±0.5	
	±900000000.0	±0.5	
	±1000000000.0	±0.5	
	±1200000000.0	±0.5	
	±1500000000.0	±0.5	
	±2000000000.0	±0.5	
	±2500000000.0	±0.5	
	±3000000000.0	±0.5	
	±4000000000.0	±0.5	
	±5000000000.0	±0.5	
	±6000000000.0	±0.5	
	±7000000000.0	±0.5	
	±8000000000.0	±0.5	
	±9000000000.0	±0.5	
	±10000000000.0	±0.5	
	±12000000000.0	±0.5	
	±15000000000.0	±0.5	
	±20000000000.0	±0.5	
	±25000000000.0	±0.5	
	±30000000000.0	±0.5	
	±40000000000.0	±0.5	
	±50000000000.0	±0.5	
	±60000000000.0	±0.5	
	±70000000000.0	±0.5	
	±80000000000.0	±0.5	
	±90000000000.0	±0.5	
	±100000000000.0	±0.5	
	±120000000000.0	±0.5	
	±150000000000.0	±0.5	
	±200000000000.0	±0.5	
	±250000000000.0	±0.5	
	±300000000000.0	±0.5	
	±400000000000.0	±0.5	
	±500000000000.0	±0.5	
	±600000000000.0	±0.5	
	±700000000000.0	±0.5	
	±800000000000.0	±0.5	
	±900000000000.0	±0.5	
	±1000000000000.0	±0.5	
	±1200000000000.0	±0.5	
	±1500000000000.0	±0.5	
	±2000000000000.0	±0.5	
	±2500000000000.0	±0.5	
	±3000000000000.0	±0.5	
	±4000000000000.0	±0.5	
	±5000000000000.0	±0.5	
	±6000000000000.0	±0.5	
	±7000000000000.0	±0.5	
	±8000000000000.0	±0.5	
	±9000000000000.0	±0.5	
	±10000000000000.0	±0.5	
	±12000000000000.0	±0.5	
	±15000000000000.0	±0.5	
	±20000000000000.0	±0.5	
	±25000000000000.0	±0.5	
	±30000000000000.0	±0.5	
	±40000000000000.0	±0.5	
	±50000000000000.0	±0.5	
	±60000000000000.0	±0.5	
	±70000000000000.0	±0.5	
	±80000000000000.0	±0.5	
	±90000000000000.0	±0.5	
	±100000000000000.0	±0.5	
	±120000000000000.0	±0.5	
	±150000000000000.0	±0.5	
	±200000000000000.0	±0.5	
	±250000000000000.0	±0.5	
	±300000000000000.0	±0.5	
	±400000000000000.0	±0.5	
	±500000000000000.0	±0.5	
	±600000000000000.0	±0.5	
	±700000000000000.0	±0.5	
	±800000000000000.0	±0.5	
	±900000000000000.0	±0.5	
	±1000000000000000.0	±0.5	
	±1200000000000000.0	±0.5	
	±1500000000000000.0	±0.5	
	±2000000000000000.0	±0.5	
	±2500000000000000.0	±0.5	
	±3000000000000000.0	±0.5	
	±4000000000000000.0	±0.5	
	±5000000000000000.0	±0.5	
	±6000000000000000.0	±0.5	
	±7000000000000000.0	±0.5	
	±8000000000000000.0	±0.5	
	±9000000000000000.0	±0.5	
	±10000000000000000.0	±0.5	
	±12000000000000000.0	±0.5	
	±15000000000000000.0	±0.5	
	±20000000000000000.0	±0.5	
	±25000000000000000.0	±0.5	
	±30000000000000000.0	±0.5	
	±40000000000000000.0	±0.5	
	±50000000000000000.0	±0.5	
	±60000000000000000.0	±0.5	
	±70000000000000000.0	±0.5	
	±80000000000000000.0	±0.5	
	±90000000000000000.0	±0.5	
	±100000000000000000.0	±0.5	
	±120000000000000000.0	±0.5	
	±150000000000000000.0	±0.5	
	±200000000000000000.0	±0.5	
	±250000000000000000.0	±0.5	
	±300000000000000000.0	±0.5	
	±400000000000000000.0	±0.5	
	±500000000000000000.0	±0.5	
	±600000000000000000.0	±0.5	
	±700000000000000000.0	±0.5	
	±800000000000000000.0	±0.5	
	±900000000000000000.0	±0.5	
	±1000000000000000000.0	±0.5	
	±1200000000000000000.0	±0.5	
	±1500000000000000000.0	±0.5	
	±2000000000000000000.0	±0.5	
	±2500000000000000000.0	±0.5	
	±3000000000000000000.0	±0.5	
	±4000000000000000000.0	±0.5	
	±5000000000000000000.0	±0.5	
	±6000000000000000000.0	±0.5	
	±7000000000000000000.0	±0.5	
	±8000000000000000000.0	±0.5	
	±9000000000000000000.0		