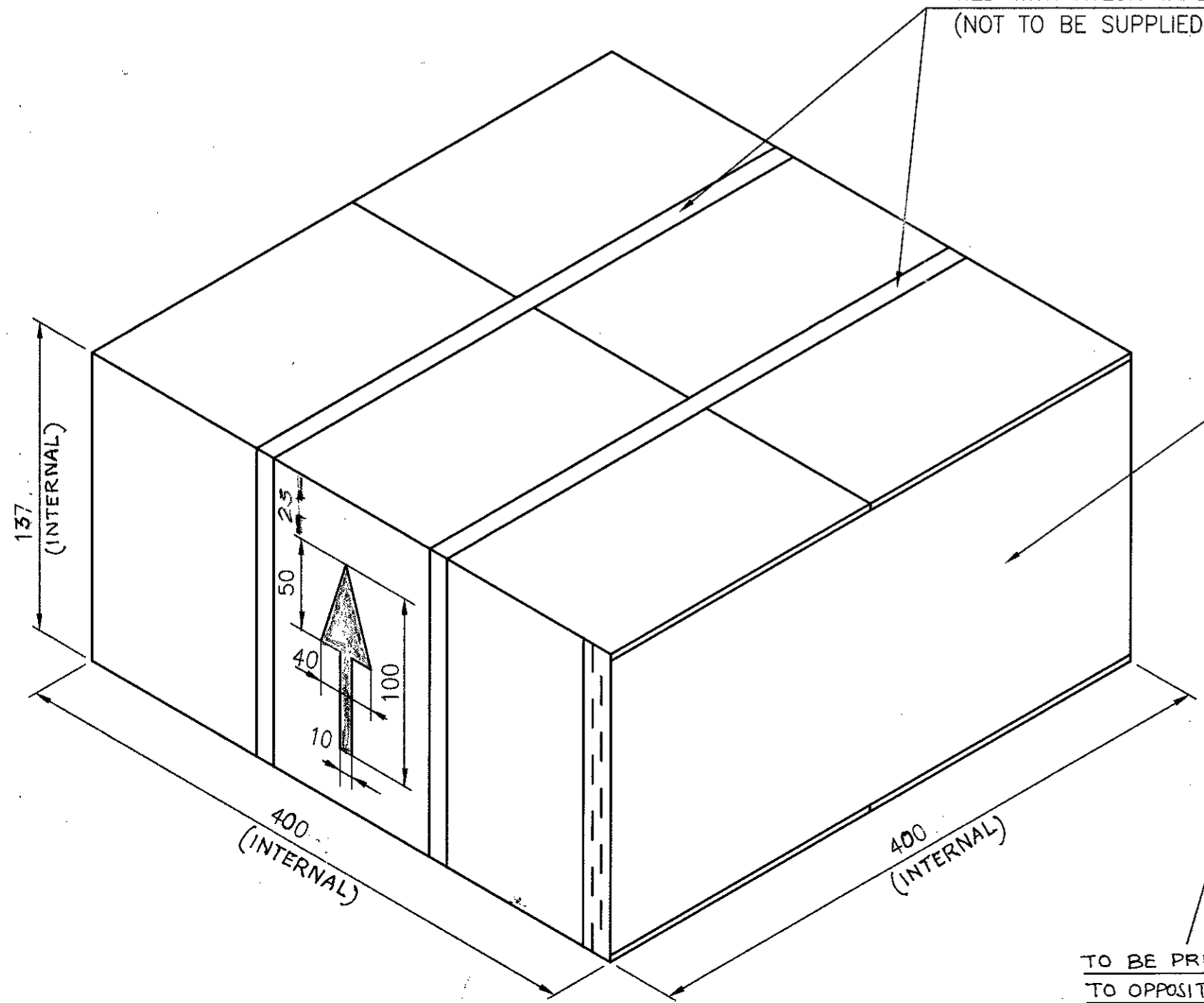


TIED WITH NYLON TAPE
(NOT TO BE SUPPLIED BY VENDOR)



- NOTE :
- PART NO. 1 & 4 : 150 GSM KRAFT PAPER, 5-PLY, DOUBLE WALL, VERTICAL NARROW FLUTING 5mm THICK.
 - PART NO. 2 : 120 GSM KRAFT PAPER, 9-PLY, FOUR WALL, NARROW FLUTING, 10mm THICK & CROSS FLUTED ie ALTERNATE FLUTES SHOULD RUN ACROSS EACH OTHER.
 - PART NO. 3 : 120 GSM KRAFT PAPER, 9-PLY, 4 WALL, VERTICAL NARROW FLUTING, 10mm THICK.
 - PARTS TO BE MARKED WITH THE MANUFACTURER'S NAME/INITIAL OR TRADE MARK.
 - GENERAL WORKMANSHIP AND FINISH SHALL BE GOOD THROUGH OUT.
 - ALL PARAMETERS ARE GOVERNED BY THE SPECN. IS : 2771(Pt.I) LATEST ISSUE. & SUBJECTED TO PROPER FITMENT OF ALL THE PARTS.

FOLLOWING TO BE PRINTED
IN 20mm LETTER HEIGHT

सेवा में,
महाप्रबंधक
आ. फे. देहू रोड
कम्पोनेन्ट - इल्यु. बेस
(सी.जी. 84एम.एम) लॉट नं. _____

द्वारा,
वरिष्ठ महाप्रबंधक
आ. फे. अम्बाजरी
मात्रा एवं दिनांक _____

TO,
THE GM
ORD. FY. DEHU ROAD
COMPT - ILLU. BASE
(CG 84mm)

FROM,
THE SR GM
ORD. FY. AMBAJHARI
QTY 80 DT ---
LOT NO ---

TO BE PRINTED
TO OPPOSIT FACE

PART	DESCRIPTION	NO. OFF	BURSTING STRENGTH	REMARKS
5	STAPLES, MS GALVANISED 12 x 3 x 0.8 THICK	AS REQD.		
4	PARTITION	6		
3	SIDE SHOCK ABSORBER	4		
2	SHOCK ABSORBER (TOP & BOTTOM)	2		
1	BOX	1	MINIMUM 9kg/cm ²	

PART LIST		MATERIAL: AS ABOVE		ORDNANCE FACTORY AMBAJHARI	
DIMENSIONS ARE IN mm		NOMENCLATURE:		DRG. NO: FS- 2395 D	
THIRD ANGLE PROJECTION		CORRUGATED FIBREBOARD		SHEET NO: 1	
SCALE : N.T.S.		PACKING CARTON		NO. OF SHEETS: 1	
2002	NAME	DATE	(80 COMPTS.)	OPERATION NO:	
DRAWN		11.8.02		COMPT: BASE, ILLUMINATING	
TRACED		12.8.02			
CHECKED					
I/C./CDO					
APPRD.	WM/FS	12/8/02	STORE: 84mm CG		