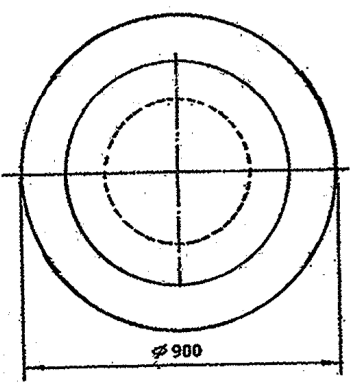
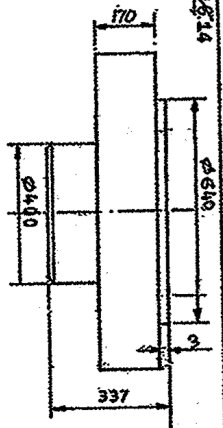
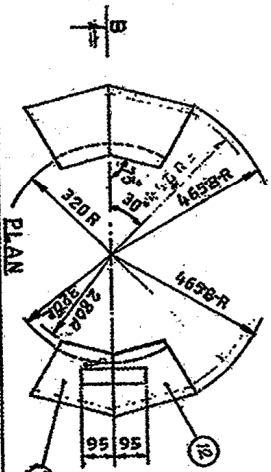
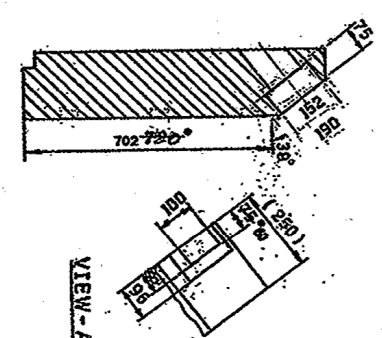
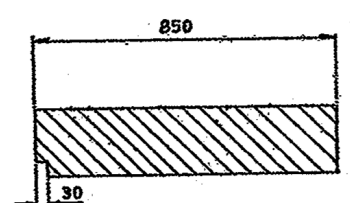
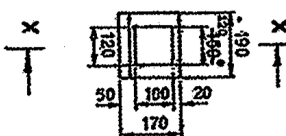
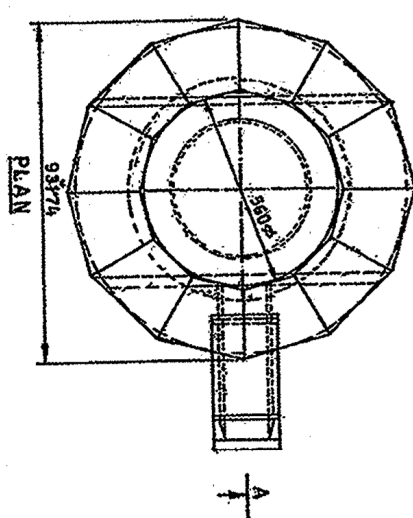
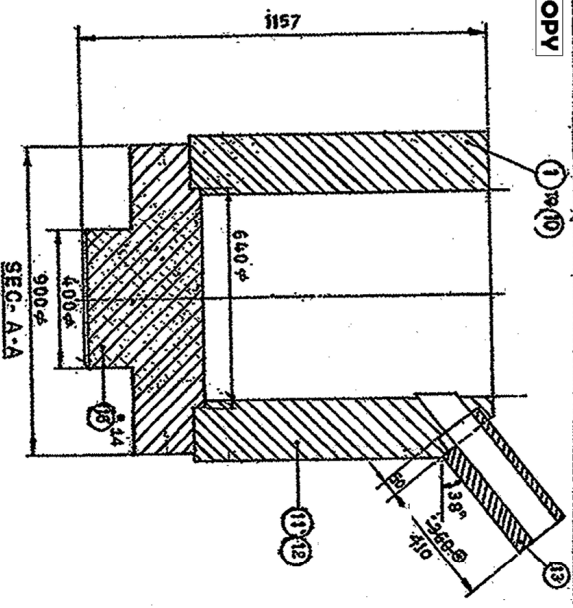


PV COPY

PART NO 1 TO 10

PART NO 11 TO 13



NOTE:-

1. ALL GRAPHITE WILL BE FROM GRADE HRC-103 OF GRAPHITE, INDIA LTD/LEUV.
2. SPECIFICATION:-
 - 1) Bulk Density 1.68-1.74 gm/cc
 - 2) Max. Grain Size 0.84 mm
 - 3) Young's Modulus 1100-1250 g/cm²
 - 4) Apparent Porosity 21-23%

ITEM NO.	DESCRIPTION & RIVAL DIMENSIONS	NO OF	MATERIAL	HARDNESS	REMARKS
1	CRUCIBLE		GRAPHITE		

DRAWING FOR THE CRUCIBLE FOR E.S.R PLANT
 BASED ON DR.GNO. CS-84729
 SCALE: 1:10
 DRAWN: 17.03.72
 CHECKED: 17.03.72
 APPROVED: 17.03.72
 MENTAL & STEEL FACTORY, ISHAPUR
 DRG. NO. INTD/1000/72-SE-3/3