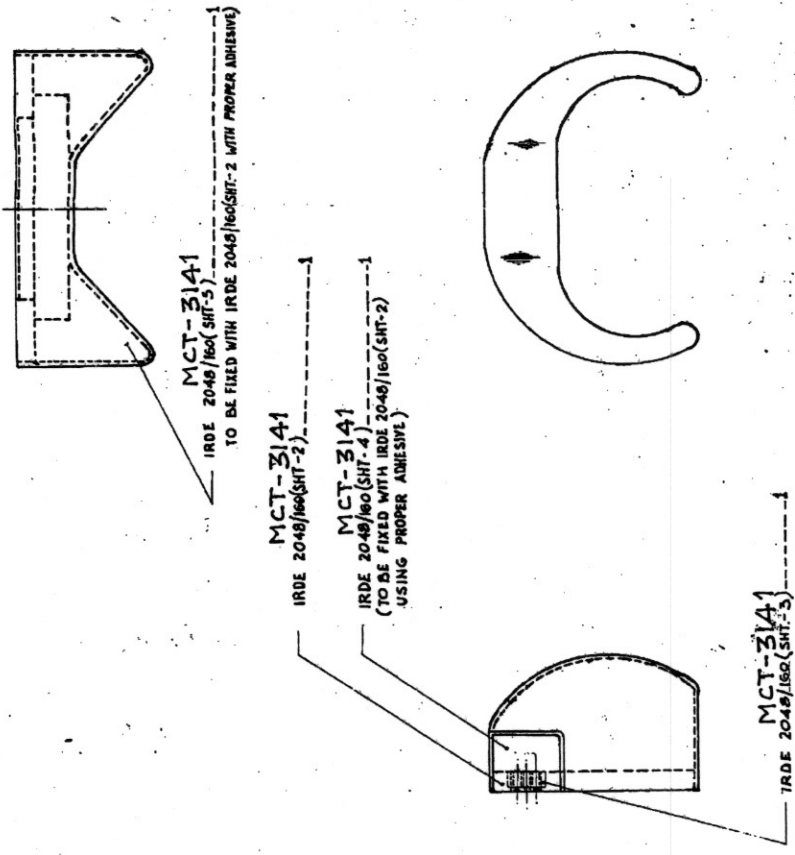


FOR TRADE OFF
 Date of Issue: 21/02/1965
 Raji

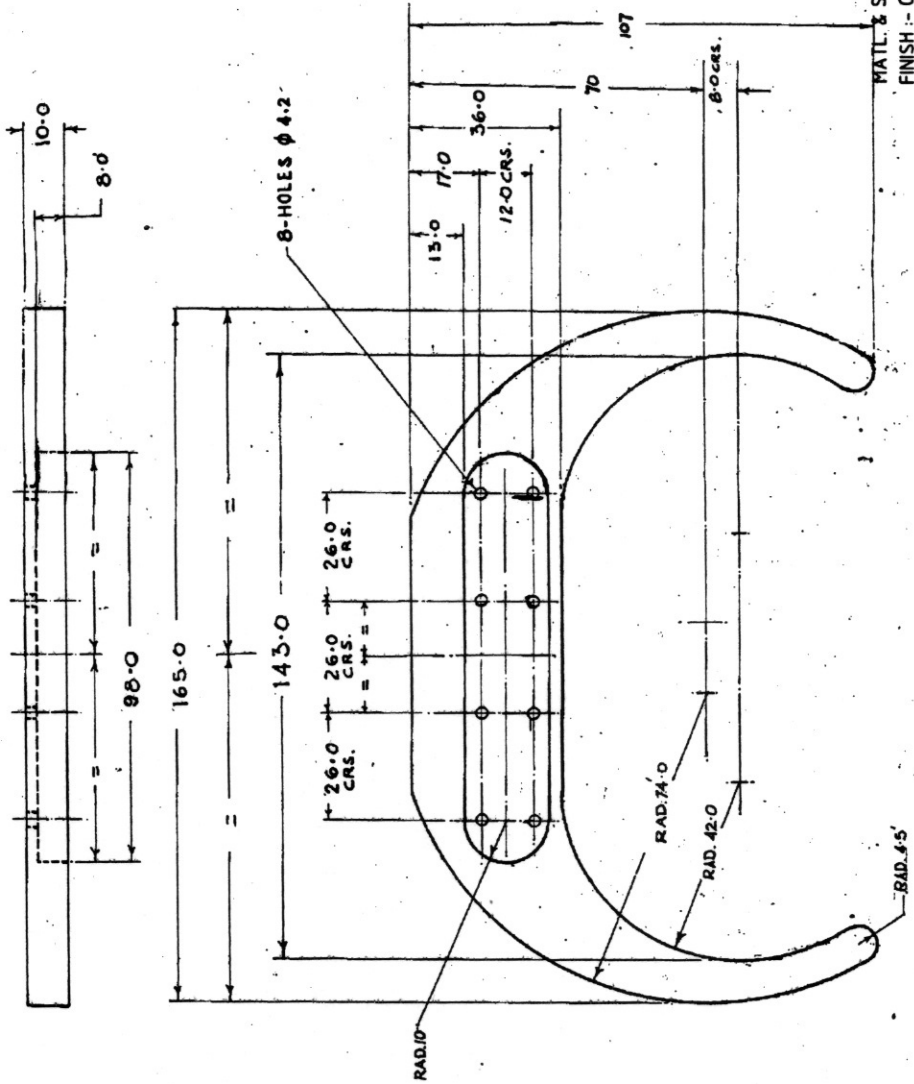
ORDNANCE FACTORY DEHRADUN	DR. P.C.SINGH	GUNNERS ARTICULATED SIGHT		DT. 19-04-11	SCALE. NTS
	TR.	OPTICAL COMPONENT ASSY.		MATL.	TREAT
CH.	APPROVED	IRDE 2048/SA-9		AS ABOVE	AS ABOVE
JWM/DO.	WMP/P-1			SHEETS. 1	SHEET NO. 1
				DRAWING NO.	
				MCT-3139	
				AMENDMENTS	
				OFD/DO/002	



FOR TRADE CHAM
 Date of Issue 27/08/2010
 RY

ALL DIMENSIONS ARE IN MM.

ORDNANCE FACTORY DEHRADUN	DR. P.C.SINGH	DT. 19-04-11	SCALE. NTS
	TR.	MATL.	TREAT
	CH.	AS ABOVE	AS ABOVE
	APPROVED	SHEETS. 5	SHEET NO. 1
	 JWM/DO.	DRAWING NO.	
		MCT-3141	
GUNNERS ARTICULATED SIGHT HEAD REST OPTICAL INSTRUMENT IRDE-2048/160		AMENDMENTS	
		OFD/DO/002	



FOR TRADE COPY
 Date of issue - 27/03/2010
 P.S.

ALL DIMENSIONS ARE IN MM.

MATL. & SPECN:- HARD RUBBER BLACK
 FINISH :- CLEAN

ORDNANCE FACTORY DEHRADUN	DR. P.C.SINGH	DT. 19-04-11	SCALE. NTS
	TR.	MATL.	TREAT
APPROVED <i>[Signature]</i> JWM/DO.	CH.	AS ABOVE	AS ABOVE
		SHEETS. 5	SHEET NO. 2
			DRAWING NO.
			MCT-3141
		AMENDMENTS	
		OFD/DO/002	

GUNNERS ARTICULATED SIGHT

HEAD REST OPTICAL INSTRUMENT

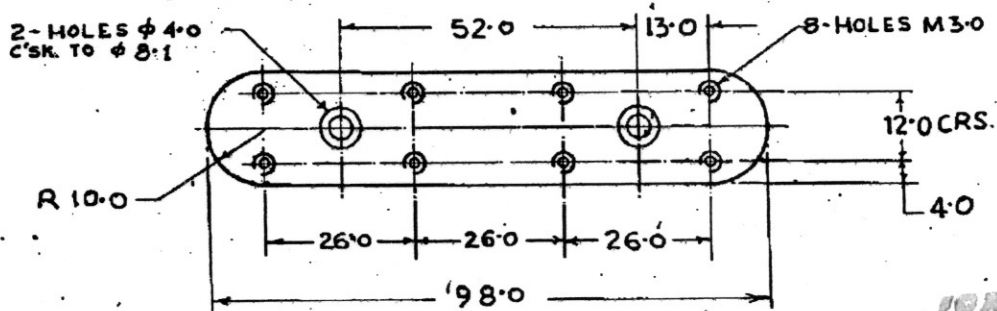
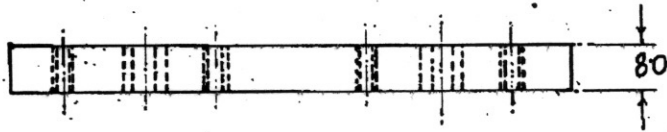
DRPE-2049/160

GUNNERS ARTICULATED SIGHT

HEAD REST OPTICAL INSTRUMENT

IRDE 2048/160

ORDNANCE FACTORY, DEHRADUN.



JOB TRADE OFF
Date of Issue 27/02/2010
Ry

MATL. & SPECN.:- STEEL IS: 1570 / 1974, DESG.- 10 - C4
FINISH :- PHOSPHOTISED

DIMENSIONS ARE IN M/M.
IMPORTANT DIMENSIONS MARKED THUS ●
INFORMATION MARKED THUS † TO BE MARKED ON

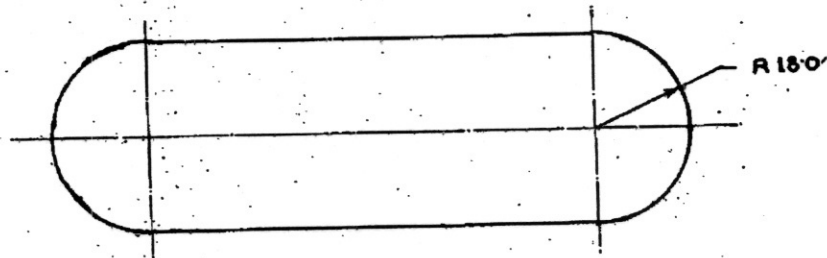
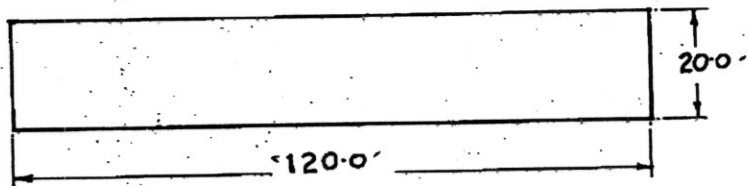
	DR.- P.C.SINGH	DT. 19-04-11	SCALE- NTS
	TR.-	MATL. AS ABOVE	TREAT. AS ABOVE
	CH.	SHEETS - 5	SHT.NO. - 3
AMENDMENTS.	APPROVED.	DRAWING NO. <u>MCT-3141</u>	
OFD/DO/002	 JWM/DO		

GUNNERS ARTICULATED SIGHT

HEAD REST OPTICAL INSTRUMENT

IRDE 2048/160

ORDNANCE FACTORY, DEHRADUN.

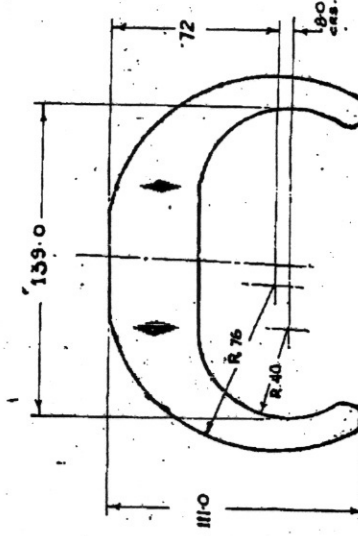
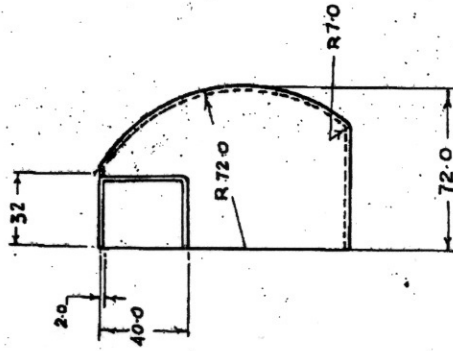
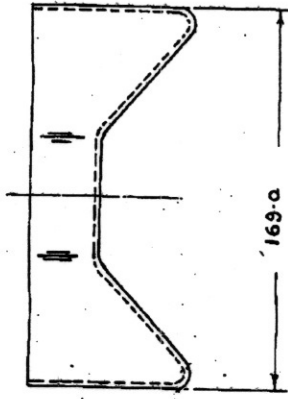


FOR TRADE COPY
Date of Issue 27/08/2010
Raj

MATL. & SPECN.:- RUBBER FOAM
FINISH :- CLEAN

DIMENSIONS ARE IN M/M.
IMPORTANT DIMENSIONS MARKED THUS ●
INFORMATION MARKED THUS † TO BE MARKED ON

		DT. 19-04-11	SCALE- NTS
		MATL. AS ABOVE	TREAT. AS ABOVE
		SHEETS - 5	SHT.NO. - 4
AMENDMENTS.		APPROVED. <i>[Signature]</i> WM/P-1	
OFD/DO/002			
		DRAWING NO. <u>MCT-3141</u>	



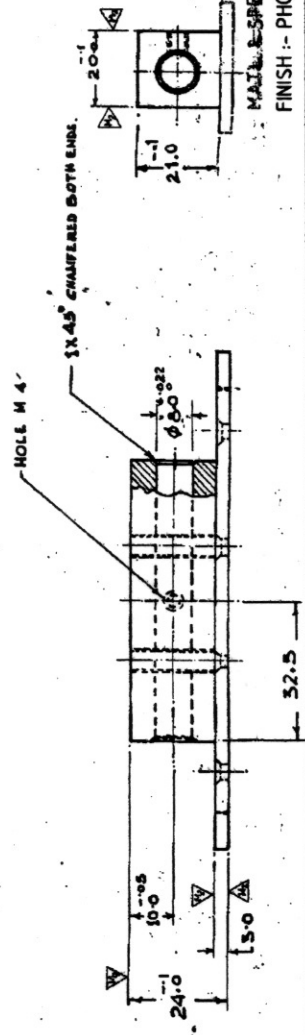
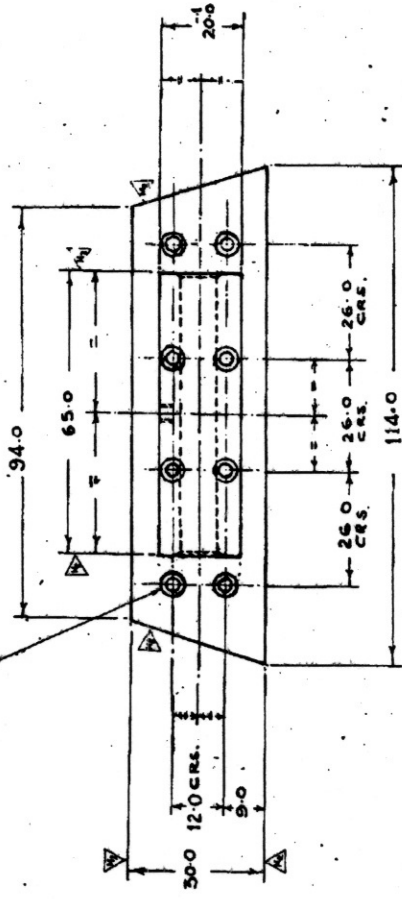
MATL. & SPECN.:- SYNTHETIC RUBBER NYTRILE VARIETY, BLACK IRHD 35 - 40
FINISH :- CLEAN

FOR TRADE OHM
Date of Issue 27/02/2010
A/S

ALL DIMENSIONS ARE IN MM.

ORDNANCE FACTORY DEHRADUN	DR. P. C. SINGH	DT. 19-04-11		SCALE: NTS
	TR.	MATL.	MATL.	TREAT
	CH.	AS ABOVE		AS ABOVE
	APPROVED	SHEETS. 5		SHEET NO. 5
	JWM/DO.	AMENDMENTS		DRAWING NO.
	IRDE 2048/160	OFD/DO/002		MCT-3141
<h2>GUNNERS ARTICULATED SIGHT</h2> <h3>HEAD REST OPTICAL INSTRUMENT</h3>				

8 HOLES $\phi 3.14$ C/SK. TO $\phi 62$
AT 90° AS SHOWN.

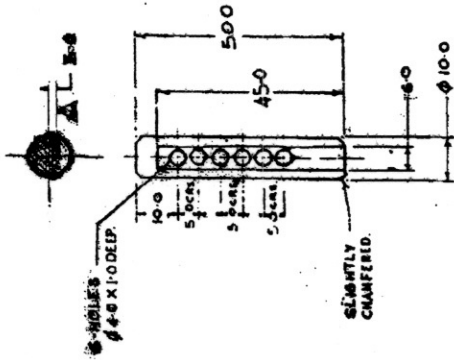
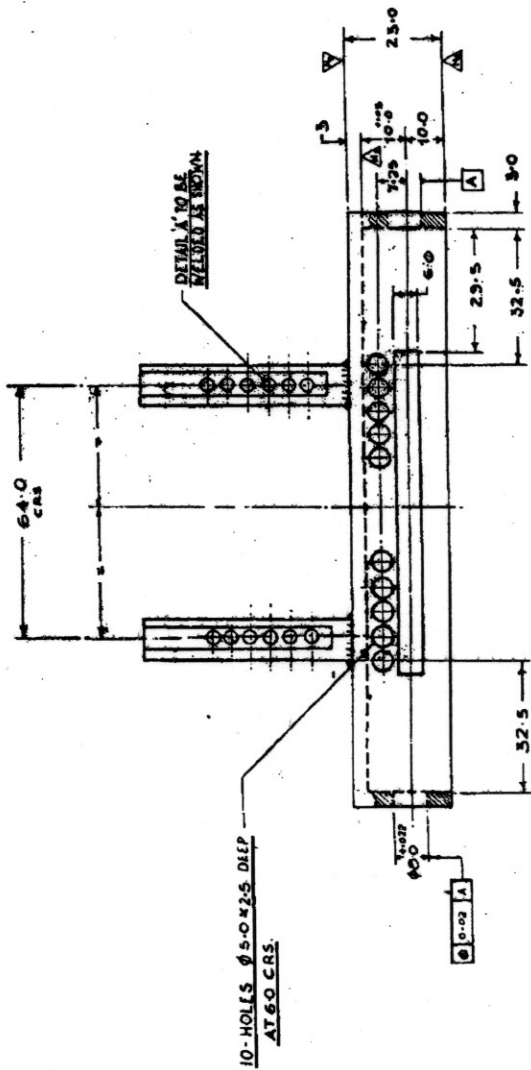


FINISH :- PHOSPHOTISED DULL BLACK
MATERIAL SPECIFICATION :- M.S. IS: 1570 / 1974 - DESG -10 - C - 4

FOR TRADE USE
Date of Issue: 27/03/2020
Rg

ALL DIMENSIONS ARE IN MM.

ORDNANCE FACTORY DEHRADUN	DR. P.C.SINGH	GUNNERS ARTICULATED SIGHT		DT. 19-04-11	SCALE: NTS
	TR.	ADAPTER (HOUSING)		MATL.	TREAT
	CH.	IRDE 2048/161		AS ABOVE	AS ABOVE
	APPROVED	[Signature]		SHEETS. 1	SHEET NO. 1
	JWM/DO.	AMENDMENTS		DRAWING NO.	
				MCT-3142	
				QFD/DO/002	



MATL :- STEEL IS: 1570 / C-10
 FINISH :- PHOSPHOTISED
 CHANNEL PIN
 2-OFF
 SCALE 1:1/1

FOR TRADE CHM
 Date of Issue: 27/08/2010
 Ref

MATL & SPECN :- M.S. IS: 1570 / 1974 - DESG -10 - C - 4
 FINISH :- PHOSPHOTISED DULL BLACK

GUNNERS ARTICULATED SIGHT
BRACKET MOUNTING

IRDE 2048/162

DR. P.C.SINGH
 TR.
 CH.

ORDNANCE FACTORY
 DEHRADUN

APPROVED
 JWM/DO.
 WMP/1

AMENDMENTS
 OFD/DO/002

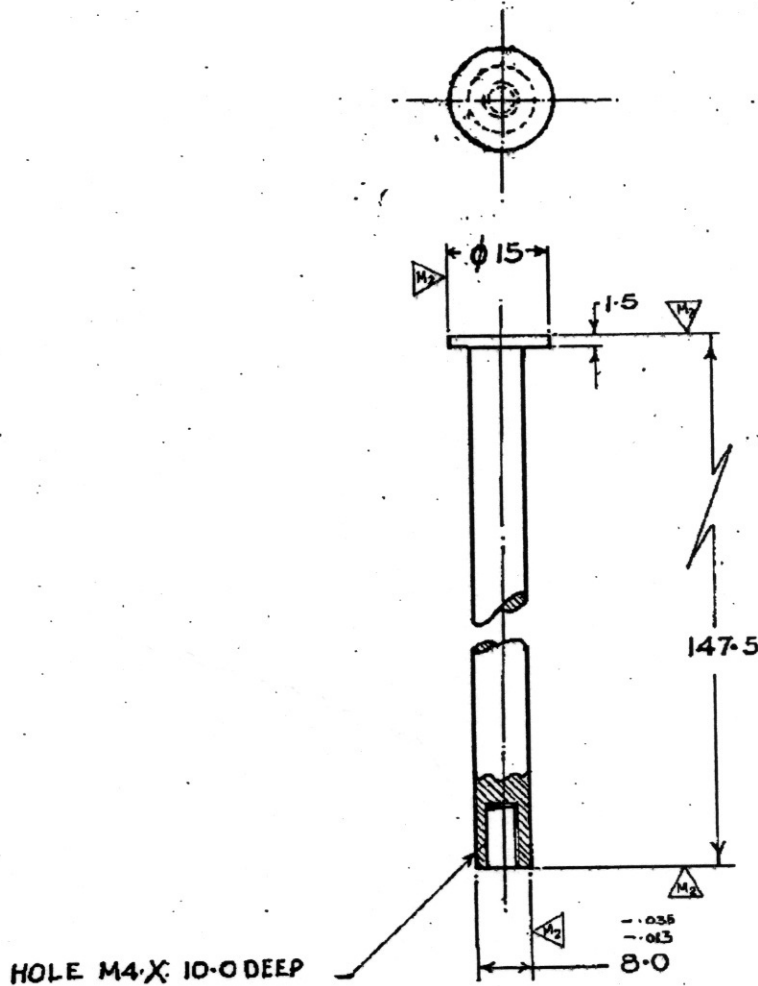
DT. 19-04-11	SCALE. NTS
MATL.	TREAT.
AS ABOVE	AS ABOVE
SHEETS. 1	SHEET NO. 1
DRAWING NO.	
MCT-3143	

GUNNERS ARTICULATED SIGHT

COLLAR SHAFT

IRDE 2048/163

ORDNANCE FACTORY, DEHRADUN.



FOR TRADE USE
Date of Issue 29/08/2010
[Signature]

MATL. & SPECN.: - STEEL IS: 1570 / 1974, DESG. - 10 - C4
FINISH :- PHOSPHOTISED

DIMENSIONS ARE IN M/M.
IMPORTANT DIMENSIONS MARKED THUS ●
INFORMATION MARKED THUS † TO BE MARKED ON

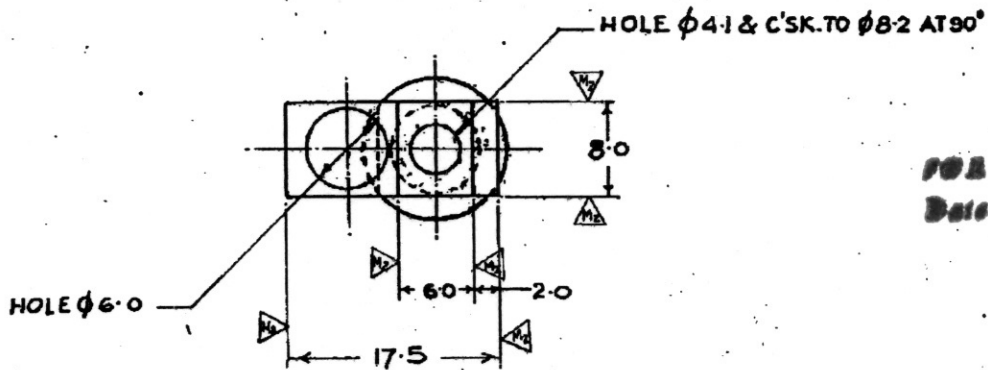
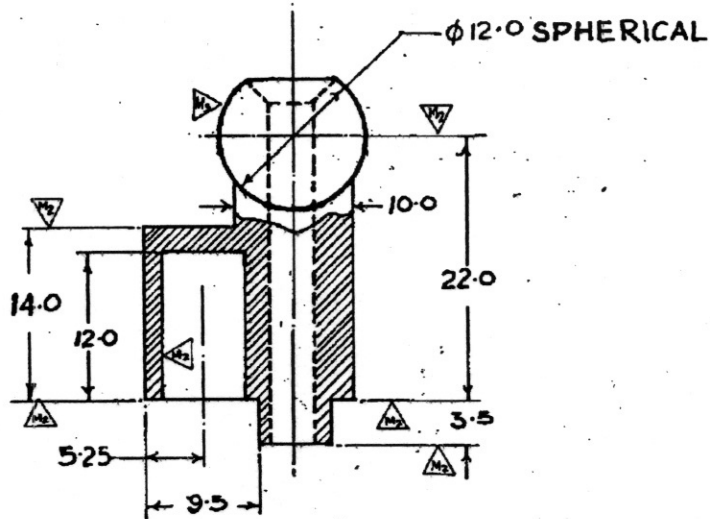
		DT. 19-04-11	SCALE - NTS
		MATL. AS ABOVE	TREAT. AS ABOVE
		SHEETS - 1	SHT.NO. - 1
		DRAWING NO.	
		MCT-3144	
AMENDMENTS.		APPROVED.	
OFD/DO/002		 JWM/DO. WM/P-1	

GUNNERS ARTICULATED SIGHT

LEVER LOCK

IRDE 2048/164

ORDNANCE FACTORY, DEHRADUN.



FOR TRADE ONLY
Date of Issue: 27/02/11
Ref: [Signature]

MATL. & SPECN.:- ~~M.S.~~ IS: 1570 / 1974, DESG.- 10 - C4
FINISH :- PHOSPHOTISED

DIMENSIONS ARE IN M/M.
IMPORTANT DIMENSIONS MARKED THUS ●
INFORMATION MARKED THUS † TO BE MARKED ON

		DT. 19-04-11	SCALE- NTS
		MATERIAL AS ABOVE	TREATMENT AS ABOVE
		SHEETS - 1	SHT.NO. - 1
APPROVED.		<u>DRAWING NO.</u>	
AMENDMENTS.	[Signature] JWM/DO.	<u>MCT-3145</u>	
OFD/DO/002	[Signature] WM/P-1		