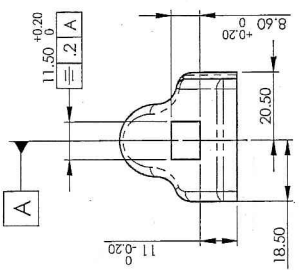
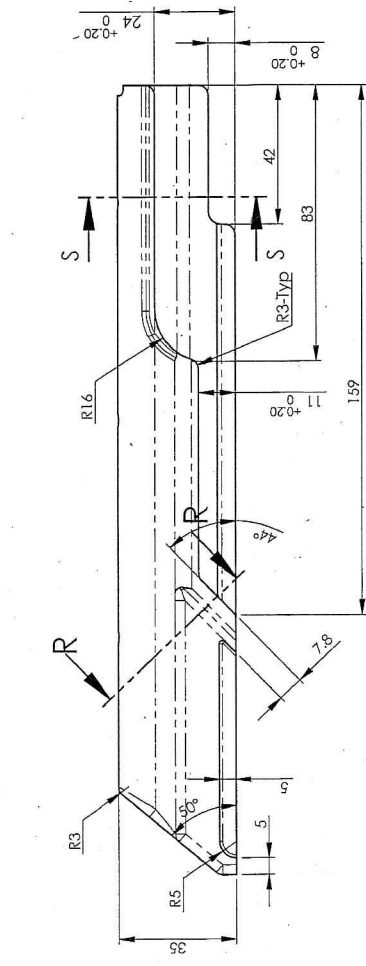
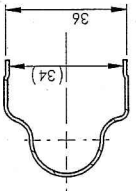


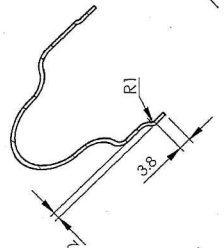
SECTION Q-Q



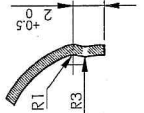
SECTION S-S



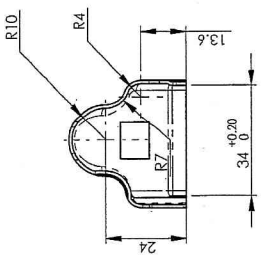
SECTION U-U



SECTION R-R



DETAIL T



SECTION D-D

UN CONTROLLED COPY
 CERTIFIED CORRECT COPY OF APPROVED
 DRAWINGS AT THIS DATE: 22/08/22
 DESIGN & DRAWING OFFICE,
 ORDNANCE FACTORY, TIRUCHIRAPPALLI-620 016.

MATERIAL: Sheet: 1.0mm Steel BS:1449 Pt.1 1983 Gr.CS30 Sec-4 Steel BS:1449 Pt.1 1983 Gr.CS40 Sec-4 Steel BS:1449 Pt.1 1983 Gr.CS50 Sec-4 Steel BS:1449 Pt.1 1983 Gr.CS60 Sec-4 Steel BS:1449 Pt.1 1983 Gr.CS70 Sec-4 Steel BS:1449 Pt.1 1983 Gr.CS80 Sec-4	DWG Details		SUB: COVER RECEIVER		Do not scale Drawing	
	Material: As Above	3rd Angle	SIGN	DATE:	FOR: GENERAL ASSY	All Dimensions are in mm
Alt. Material:	DRAWN	CHECKED	20/08/22	PROJ.: TrICa	DWG. No.: KC3 - 1025 *	QPG - 1
Hardness: 290-360 HV	HOS/D&DO	DO/Prod		Design Ref: TARK-1025	Wt. (Appx) gm SHEET: 1 OF 1	
Finish: Pickling to ISS0465-01-1994, Class Oil finish	DO/QC	DO/DDO		ORDNANCE FACTORY TIRUCHIRAPPALLI-16.		
DA: No. 38/22	Un tapered dimensions		APPROVED ON: 20/08/22			
AMENDMENTS	SIG.	DATE				
(a)						