

791810-5035 D.S.CAT. NO. 5305-018164

DIMNS. ARE IN mm.

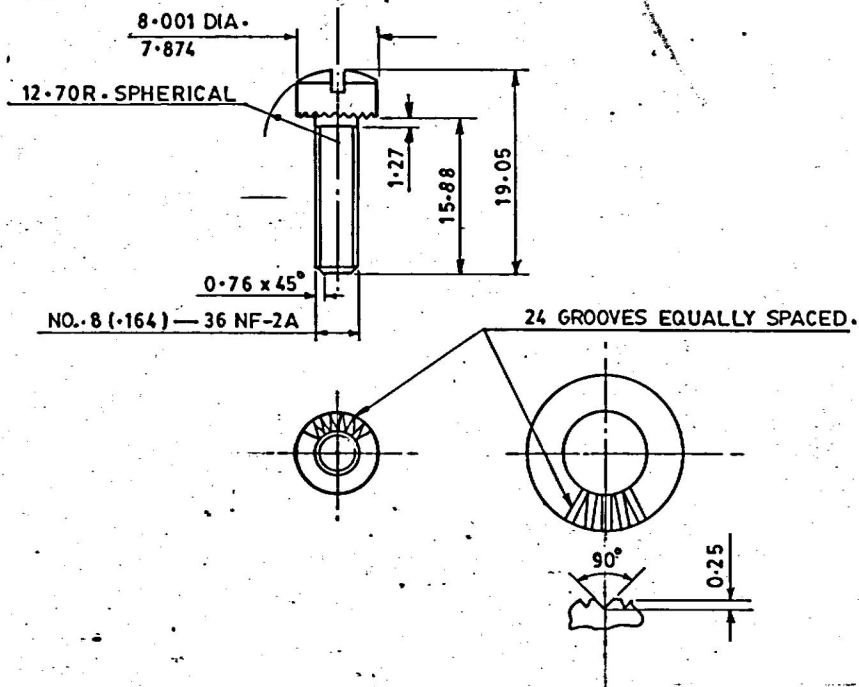
FOR EXPLANATION OF DETAILS WHEREVER NOT SPECIFIED, REFER D.D. NOTE SHEET NO.3 (LATEST ISSUE)

PROTECTIVE FINISH :-

HEAD PORTION :- PHOSPHATE TO SPECN. JSS 0465 : 01-1994 CLASS-I PAINT RFU FINISHING AMMUNITION STOVING BLACK SPRAYING FOR SMALL ARMS TO SPECN. JSS 8010-37.

REST PORTION :- PHOSPHATE TO SPECN. JSS 0465 : 01-1994 CLASS-I OIL FINISH.

ONE SLOT 0.76 WIDE x 1.52 DEEP



METRIC

				DRN.	CHD.	TRD. <i>26.6.2003</i>	COMP. <i>M. S. S.</i>	AHSP. CQA(SA), ICHAPUR
				SCALE :-		EST. MASS :-		
						APPROVED, DT. 19.6.67.		ASSY. 1005-001594, 1005-001595, 1005-001596
						(NEG. RE-TRACED)		
26.6.2003.	25784-SA	PROFORMA CHANGED, TOL. NOTE AND PROTECTIVE FINISH AMENDED, NEG. RE-TRACED AND DRG. RE-SEALED.		<i>Samir</i>	CD	DT. 26.6.2003. I/C:D.O.		
		PREVIOUS D.C. NOS. 15024-SA, 17576-SA, 22641-SA & 24623-SA		COPY	COPY	MATERIAL :- BS 970 Pt. 2 : 1970 Gr. 653 M31 OR Gr. 830 M31 OR Gr. 605 M36		
DATE	AUTHY.	BRIEF RECORD		ZONE	I/C:D.O.	G.O.	H.T./HARDNESS :- 300 TO 350 H.V. (47.5 - 52.5 HRD)	
		SEALED :- D.C. NO. 15024-SA, DT. 10.2.77.				SIGN.		PART NO.
NOMENCLATURE :- SCREW ZEROING BACKSIGHT						PROTECTIVE FINISH :- AS STATED		DRG. NO.
								D.S.CAT. 5305-018164 NO.

1368