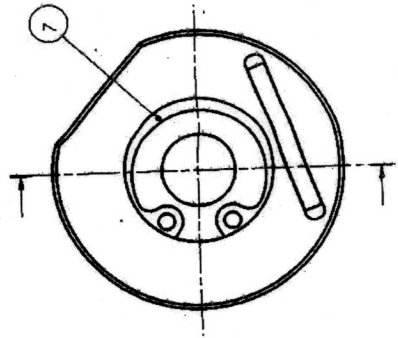
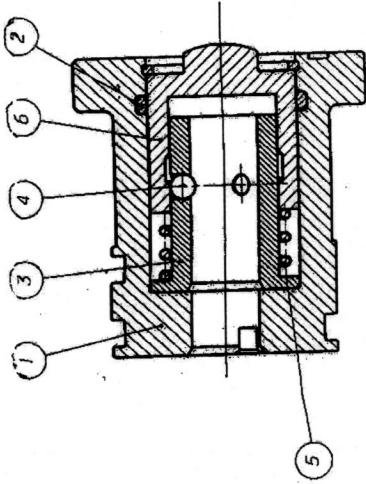


THIRD ANGLE PROJECTION



Pos ② ③ ④ ⑤ och ⑥ infatted med ⑧
 Items ② ③ ④ ⑤ and ⑥ greased with ⑧

| | | | |
|---|--------------------------------|-----------|----------------------------|
| 8 | Smörjefett Grease | 138 | FSD 8203 |
| 7 | Spärring Retaining ring | Sgh18 | SS 1582 |
| 6 | Spärrknapp Retaining knob | | F1303-027020 MCT-2308 |
| 5 | Tryckfjäder Compression spring | | F1303-026990 MCT-2304/1 |
| 4 | Kula Ball | Ø3 | RB-3 RS SKF |
| 3 | Spärrhylsa Locking sleeve | | F1303-027010 MCT-2303/1 |
| 2 | O-ring | 18. 1x1.6 | SMS 1586 |
| 1 | Rätt. märkt Knob, marked | 651+441 | F1303-028510 MCT-2310/1 |

FOR TRADE ONLY
 Date of Issue: 14/12/2020

| | |
|--------------|------------|
| DT. | SCALE: 2:1 |
| MATL. | TREAT. |
| SHEETS | SHT. NO |
| AMENDMENTS | DRAWING NO |
| OF/DJ/DC/002 | MCT-2317/1 |

TELESCOPE SIGHT 84 mm CARL GUSTAV MK-III

KNOB ASSY.

651+441
 FFV 557

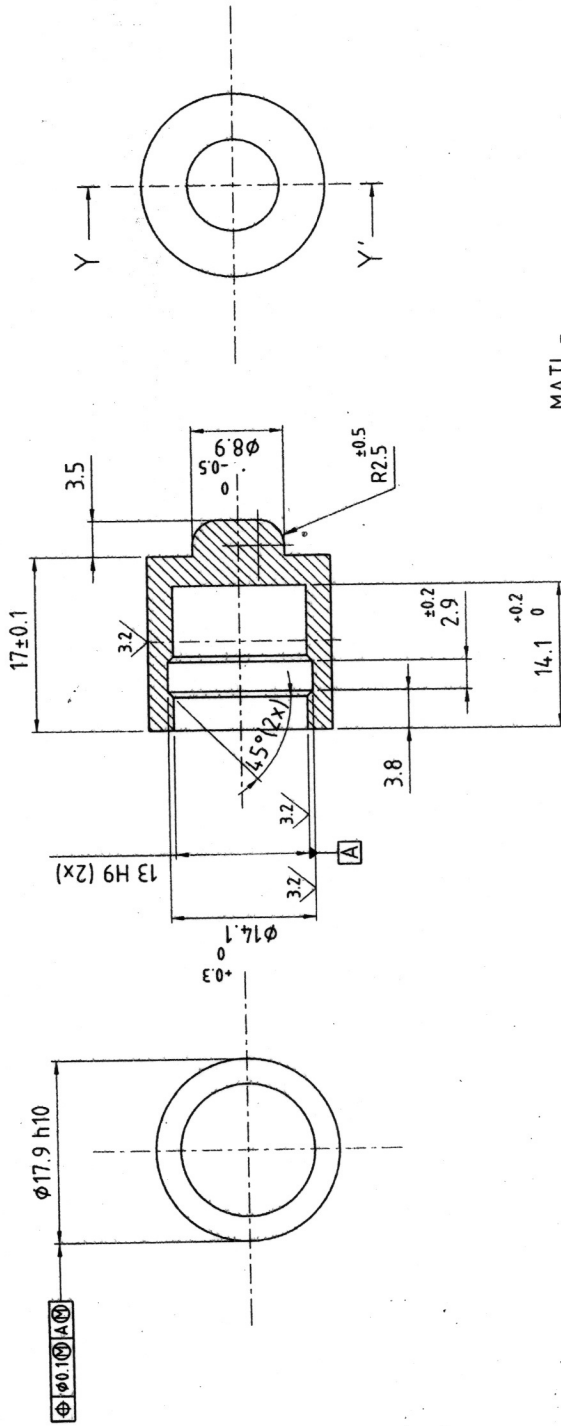
DRGN
 F1303-028500B

DR. SR Prof. Luyt
 TR.
 CH. Olofsson
 APPROVED
 F. o. s. w.
 U. c. D. D. G. M. / p.

ORD. E.Y.
 DEHRADUN

+

MCT-2308



MATL. STEEL 1914-04 alt EN 10277-3-1.0756+C560.

TREAT. NITROCARBURIZED FZ min. 8µm max. 15µm, OXIDATION-TREATED.

SEC. AT Y-Y'

FOR TRADE OFF
Date of Issue: 14/12/2000
Raj

ALL DIMENSIONS ARE IN mm.

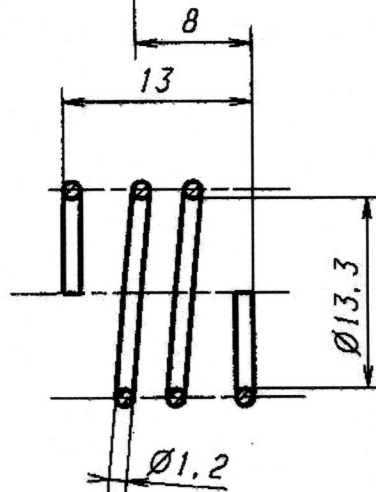
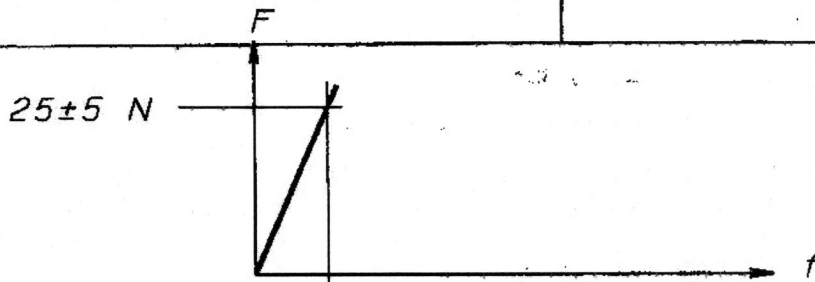
| | | | |
|-----------------------------------------------------------------|---------------------------------|---------------------------|-------------------|
| ORDNANCE FACTORY DEHRADUN | DR:- R.K.SHARMA | DATE- 24.07.2006 | SCALE- 2:1 |
| | TR:- | MATL AS ABOVE | TREAT AS ABOVE |
| | APPROVED: <i>[Signature]</i> | SHTS:- | SHT. No.:- |
| | IC/DO. <i>[Signature]</i> | AMENDMENTS. OFD/DO/002 | |
| TELESCOPE SIGHT FOR 84 mm. CARL GUSTAV MK-III RETAINING KNOB | | DRAWING NO. - MCT-2308 | |
| DRG. No. - F1303-027020 B | | (IN) | |
| 557 | | | |

TELESCOPE SIGHT 84MM CARL GUSTAV MKIII

COMPRESSION SPRING

DRG. NO F-1302-026990

MCT-2304/1



n tot
Total number of coils | 3 ^{+0.5} ₀

Ändvarven nedlagda enl | SS 2386
End coils squared to

MATL-15-4454-2001 Pt-1 Gde 'SM'

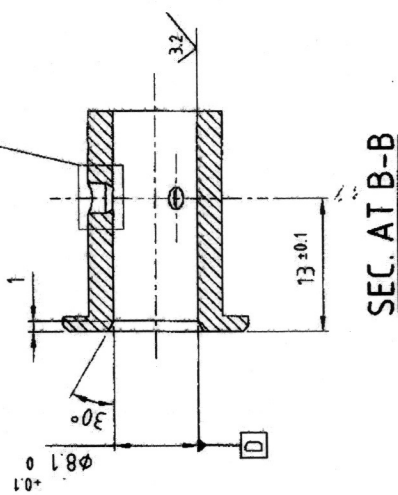
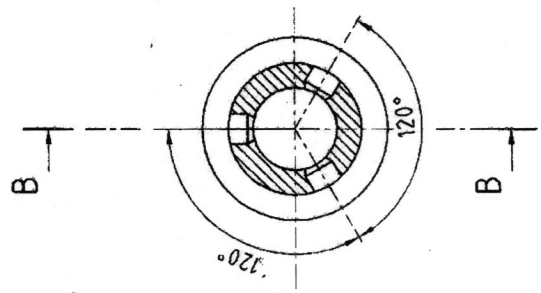
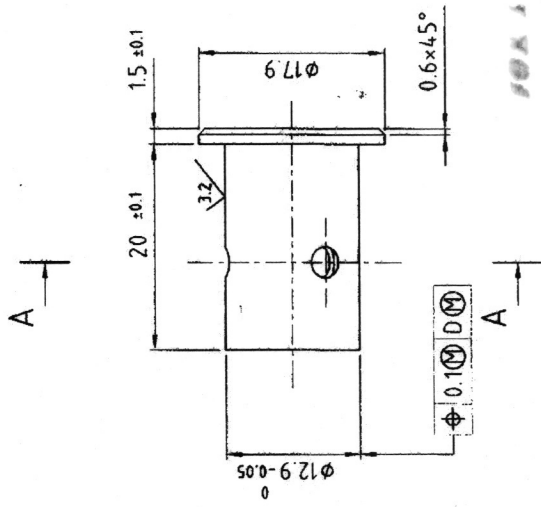
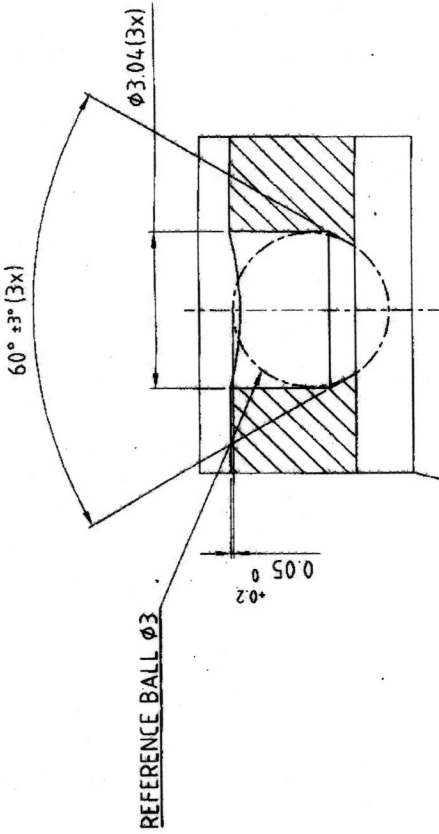
FOR TRADE O/M
Date of Issue: 14/12/20

no 20
Raj

| | | | |
|-----------------------------------------|------------------|-------------|--------------|
| | | D/-21-8-06 | SCALE 2:1 |
| | DR. SAKTI of Dym | <u>MATL</u> | <u>TREAT</u> |
| | TR. | - | - |
| DAN ^o 18/2014 Dt 16/10/14 | CH. Ghosh | SHTS. | SHT NO |
| AMENDMENTS | APPROVED | DRG. NO | |
| OPD/DO/002 | 1/E DO - DGM/P | MCT-2304/1 | |

ORD. FY. DEHRADUN

MCT-2303/1



FOR S.A.S.A. USE
Date of Issue 14/11/2010
Raj

MATERIAL: 15-4431-78 STEEL, DESIGN 40 C 10 S 18
TREATMENT: NITROCARBURIZED FZ min. 8µm max. 15µm, OXIDATION-TREATED.

SEC. AT A-A

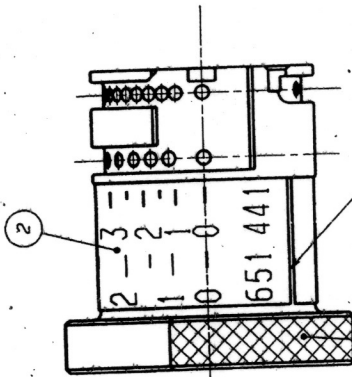
SEC. AT B-B

ALL DIMENSIONS ARE IN mm.

| | | | |
|-----------------------------------------------------------------|---------------------------|-----------------------------|-----------------|
| ORDNANCE FACTORY DEHRADUN | DR: R.K.SHARMA | DT: 23.08.2006 | SCALE: 2:1 |
| | TR: <i>[Signature]</i> | MATL: AS ABOVE | TREAT: AS ABOVE |
| APPROVED: <i>[Signature]</i> | CH: <i>[Signature]</i> | SHTS: 1 | SHT. No.: 1 |
| | IC/DD: <i>[Signature]</i> | DRAWING NO.:- MCT-2303/1 | |
| TELESCOPE SIGHT FOR 84 mm. CARL GUSTAV MK-III LOCKING SLEEVE | | AMENDMENTS: OFD/DD/002 | |
| DRG. No.:- E1303-021010C | | | |

FIRST ANGLE PROJECTION

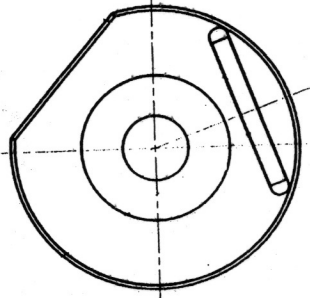
MCT-2310/1



Skalplåtens ändytlor slutes med ④
End surfaces of scale plate shall
be sealed with ④

① Svartanodiserad klass 20 enl SS-EN 12373-1
före monteringen av ②
Black anodized class 20 to SS-EN 12373-1
before fitting ②

Skalplåtens 0-streck mitt för
0-lägesförsänkningen ± 0.25mm
The 0-mark of the scale plate
exactly opposite to the 0-position
recess ± 0.25mm



| | | |
|---|--------------------------|--------------------------------------------------------|
| 4 | erol Lim req Adhesive | Loctite 460 |
| 2 | Skalplåt Scale plate | F1303-028530 MCT-2312/1 F1303-028520 MCT-2311 |
| 1 | Ratt Knob | 651-441 |

FOR TRADE USE
Date of Issue: 14/12/2010
Rgp

| | |
|-----------------------------------|------------|
| DT: 25.03.2006 | SCALE: 2:1 |
| MATL. | TREAT. |
| SHEETS | SHT. NO |
| D.A. NO: 20/2011 DT: 19-2-2011 | DRAWING NO |
| AMENDMENTS | MCT-2310/1 |
| OFD/DO/002 | |

TELESCOPE SIGHT 84 mm CARL GUSTAV MK-III
KNOB MARKED / 651 + 441

557

DRGN NO
F1303-028510B

DR. SKT/Exp/kyor
TR.
CH-@Hans
APPROVED
f. osw
VC:DG - DGM/p

ORD. FY.
DEHRADUN

