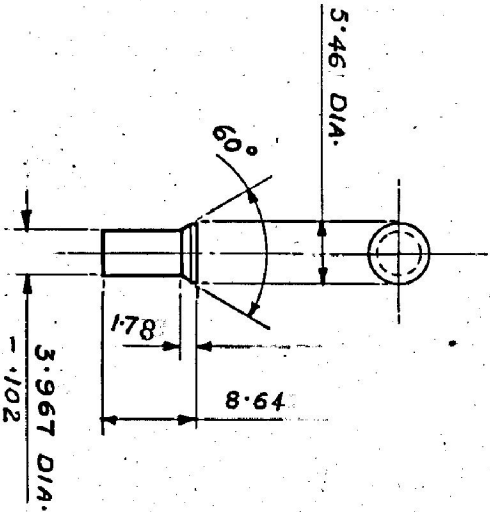


DS. CRT. NO.
5320-001015

FOR EXPLANATION SEE D. D. NOTE SHEET NO. 3.
THIRD ANGLE PROJECTION. DIMENSIONS ARE IN MILLIMETRES.



NOTE:-
WHERE TOLERANCES ARE NOT SHOWN
DIMENSIONS IN WHOLE NUMBER OR WITH
ONE DECIMAL PLACE ± 0.25 mm.

DIMENSIONS WITH TWO DECIMAL PLACES ± 0.13 mm

NOTE:-FOR SPECN. LATEST ISSUE
SHOULD BE FOLLOWED

METRIC

8-8-87	19703-5A	MATL. AMENDED & NOTE FOR SPECN. ADDED	(by) <i>[Signature]</i> LICD.	INSR. INSTRS.	DRAWN. CHECKED	TRN. CHD.
7-4-78	15864-5A	D 5 CAT NO. 5320-001015 WAS 1005-001632	D 658	APPROVED.	<i>[Signature]</i>	<i>[Signature]</i>
9-2-77	15019-SA	DRG. SEALED	SMI BSS	DATE:- 19.6.87	FOR CISA.	<i>[Signature]</i>
DATE	AUTHY.	ZONE	AMENDMENTS.	DATE:- 19.6.87	FOR CISA.	<i>[Signature]</i>

AMENDMENTS.

SEALED:- D.C.(I) 15019-SA DT. 9.2.77

MATERIAL:- B5370PT.1 SEC. 2 GR. 070M-20 IN COLD DRAWN CONDITION

PROTECTIVE FINISH:- PROTECTIVE FINISH ON ASSY (1005-001632)

ESTIMATED WEIGHT:-

DS. CRT. NO.

5320-001015

RIVET, SECURING EXTENSION.

CISA.

ICHAPUR.