

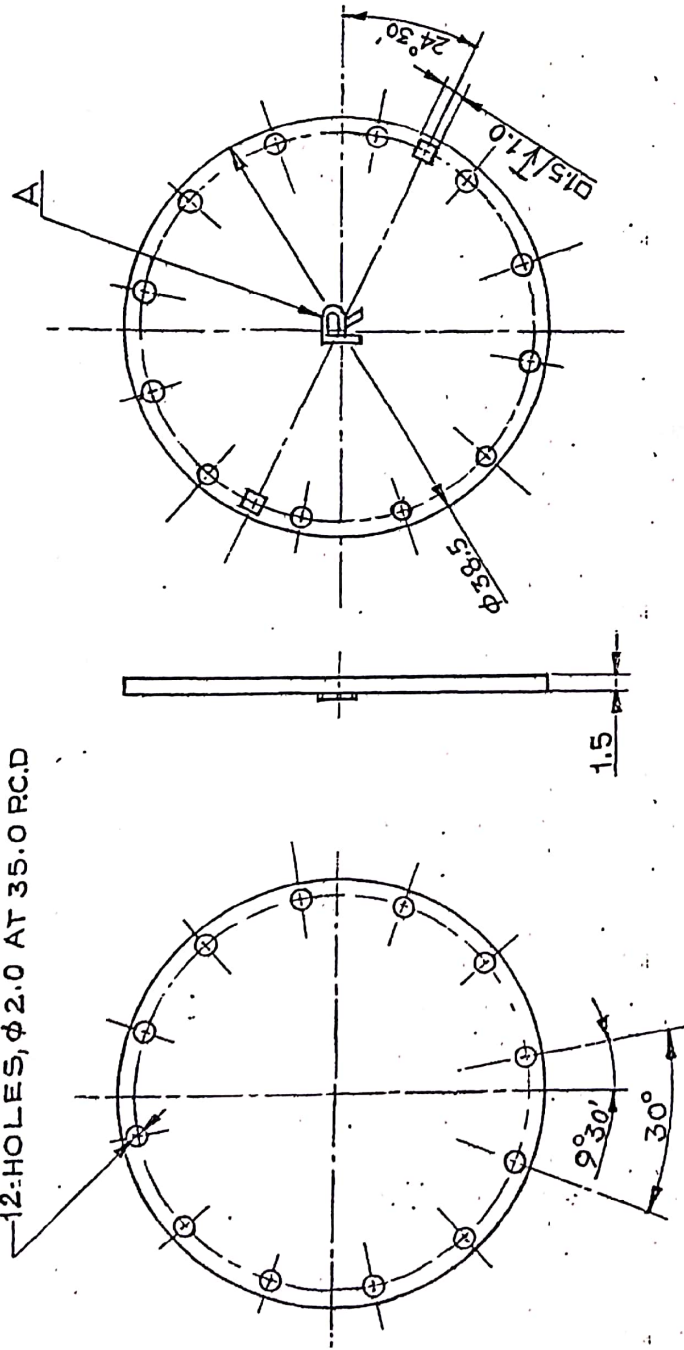
JOB TRADE OFF  
 Date of Issue 24/11/19  
 Rajan

DT.-12-06-2010	SCALE - NTS
MATL.	TREAT.
AS ABOVE	AS ABOVE
D.A. No. 01/2015 Dt. 2/1/2015	SHT. NO. 1
AMENDMENTS	DRAWING NO.
0FD/00/002	MCT-2927/1

**BINOCULAR 8x30 R**  
**CAP PROTECTIVE DUST AND MOISTURE SEAL**

ORDNANCE FACTORY DEHRADUN	DRAWN BY: P.C.SINGH
TR- CH- <i>ad</i>	APPROVED <i>ad</i>
JWM/D.O.	WM/P
DRG. NO CGA(1) 789/5A-7	

12 HOLES,  $\phi 2.0$  AT 35.0 RC.D



JOB MADE ON  
Date of Issue: 26/11/19  
Ref

TEMPERATURE COMPATIBILITY OF  
THE COMPONENTS: (-180° ± 5° & +1013°)

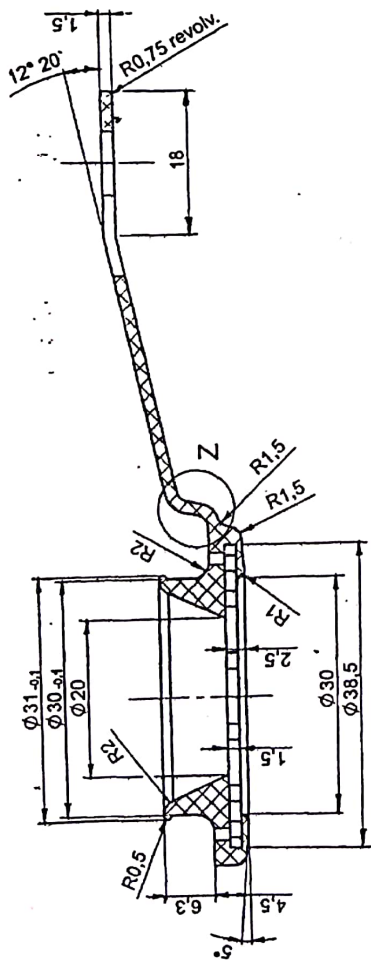
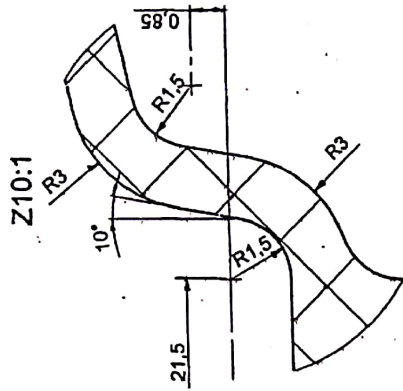
VISIBLE OUTSIDE SURFACE WITH SURFACE  
STRUCTURE ACCORDING TO DIN VDI 3400  
REF 30°  
A: INDEX "R": 0.3mm RAISED, FONT SIZE 3.0mm.  
COLOUR: RAL 6014

MATL. & SPEC:- PC

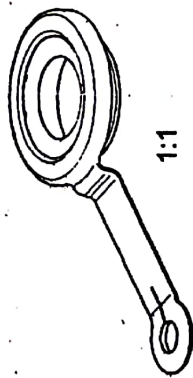
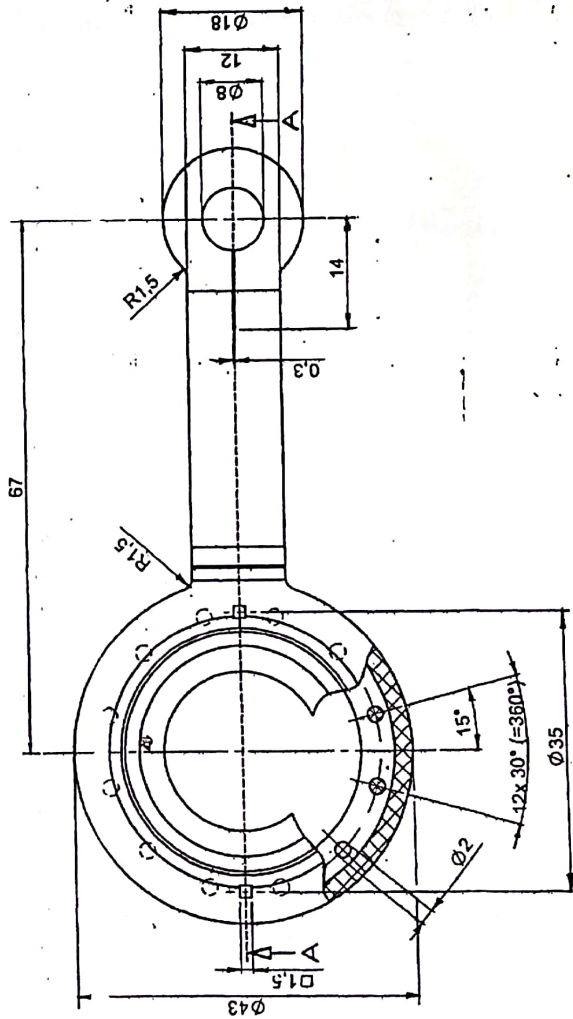
ORDNANCE FACTORY DEHRADUN	DRAWN BY: P.C.SINGH	DT.-12-06-2010	SCALE - NTS
	TR-	MATL.	TREAT.
	CH- <i>[Signature]</i>	AS ABOVE	AS ABOVE
	APPROVED	SHEETS. 1	SHT. NO. 1
	<i>[Signature]</i>	DRAWING NO.	
	JMN/D.O.	MCT- 2928/1	
	WM/P	AMENDMENTS	
	DRG. NO COA(1) 789/14	OFD/DO/002	

**BINOCULAR 8x30 R**

**INSERT, FLEXIBLE COUPLING**



SECTION A-A



JOL PLADE CHAN  
Date of Issue 26/11/17  
Rajiv

TEMPERATURE COMPATIBILITY OF THE COMPONENTS. (+80° ± 3° & -40 ± 3°)

NOT DIMENSIONED EDGES CHAMFER 0.2mm.  
SURFACE MATT FINISHED  
COLOUR: RAL 6014

MATL. & SPEC:- SEBS 60±5 SHORE A - BERGAFLEX

BINOCULAR 8x30 R  
OBJECTIVE CAP

DT.-12-06-2010	SCALE - NTS
MATL.	TREAT.
AS ABOVE	AS ABOVE
D.A.No. 01/2015 Dt. 21/2015	SRT. NO. 1
AMENDMENTS	DRAWING NO.
OFD/DO/002	MCT-2929/1

OPORNANCE FACTORY DEHRADUN	DRAWN BY: P.C.SINGH	DRG. NO CGA(II) 789/15
	TR.	WM/P
	CH.	APPROVED
		JWM/D.O.