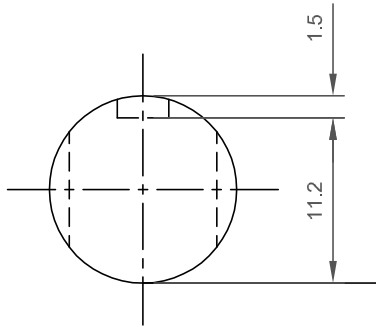
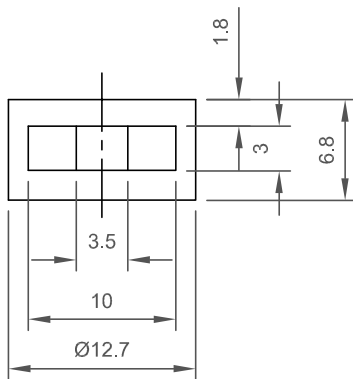


DIMENS ARE IN M M



MATERIAL :- LEAD



ORDNANCE FACTORY BHANDARA

LEAD SEAL

DATE :- 9 . 12 . 06

SCALE :- 1 : 2

DRAWN :-

DRG NO.

TRACED :- Sd/-

CHECKED :- Sd/-

OFBA / NR / 613

APPROVED BY :-

FINAL APPROVAL

Sd/-

DVO / NR