

DRAWING CONVENTIONS CONFORM TO IS: 696

MATERIAL FOR ITEM 2:- MOULDING MATERIAL
 QCB-2-P-2M GRADE 01 GOST 17478-72
 (SUBSTITUTION OF POS. 3 OR 4 IS PERMITTED)

~~ALTERNATIVE MATERIAL OF ITEM 2 IS MOULDING
 MATERIAL AT 4-B GOST 20437-76~~

MATERIAL FOR INDIA FOR ITEM 2:- NYLON MOULDING
 AND EXTRUSION MATERIALS FOR MECHANICAL PURPOSES
 TYPE 66HL TO SPECN. DEE 5741/53-3/55/1E-1

DIMENSIONS WITH * ARE FOR REFERENCE.

DIMENSIONS WITH # ARE TO BE ENSURED WITH
 MOULDS.

DIMENSIONS WITH UNSPECIFIED TOLERANCE. HOLES
 AS PER 'A', SHAFTS AS PER 'B' AND OTHERS
 AS PER CM B.

NON-SYMMETRY POSITION OF HANDLE BARREL (1005-007202)
 RELATIVE TO DIMENSION 'X' T/2 IS 0.3 mm (TOLERANCE
 IS BASED ON MMC PRINCIPLE).

MISMATCH ON JOINTING PLANE MUST BE 0.2mm.
 SHOULDER IS ALLOWED IN HOLE "Z"

APPEARANCE IS ACCORDING TO TEST SPECIMEN.

OTHER TECHNICAL REQUIREMENTS ARE AS PER
 OST B3-4346-80.

~~MATERIAL FOR ITEM NO. 4:-
 MOULDING MATERIAL 7 CB-4-P-2M
 GRADE 0-GOST 17478-72~~

(SUBSTITUTION OF POS. 2 OR 4
 IS PERMITTED.)

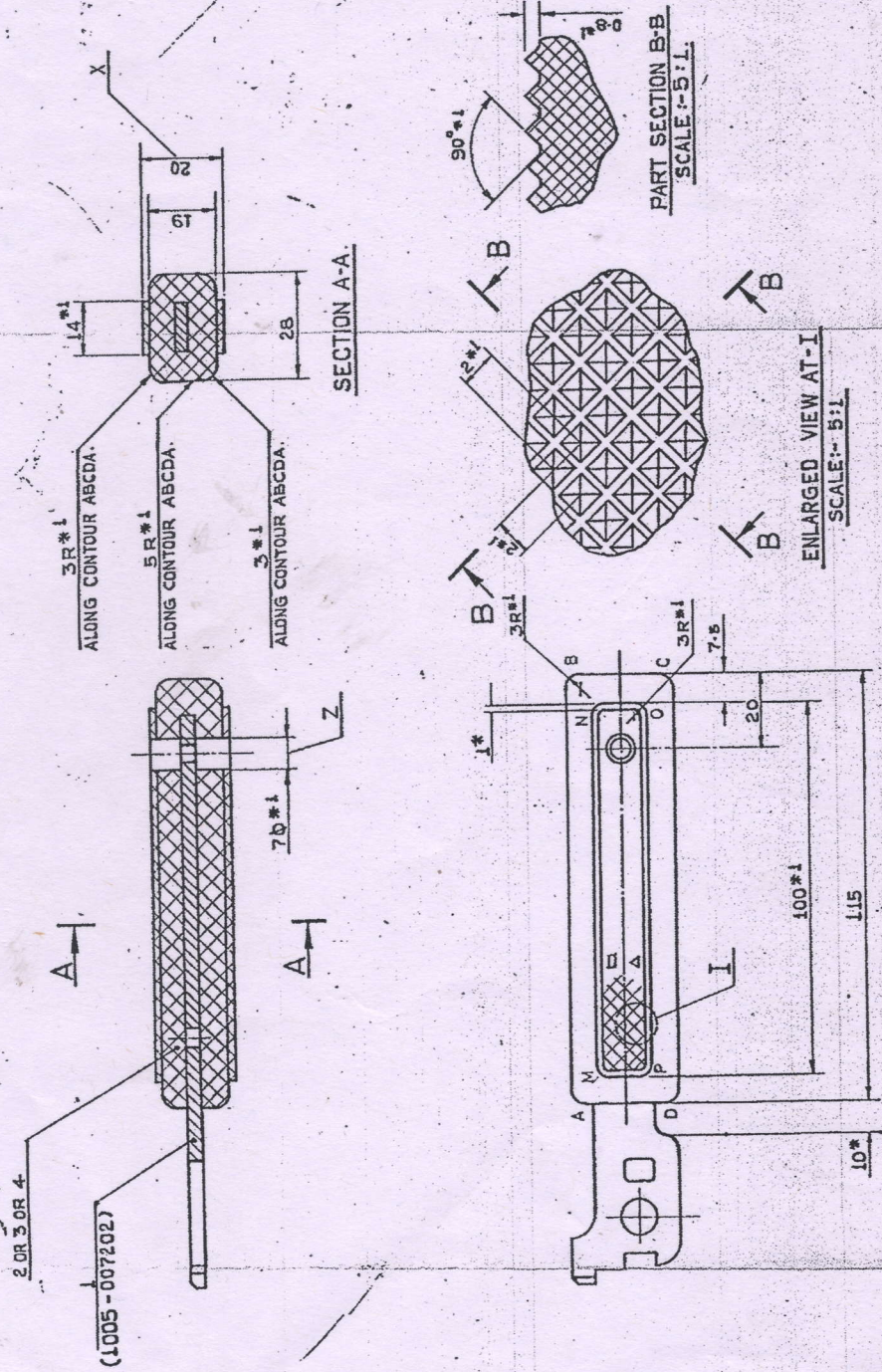
MATL. FOR ITEM NO. 4:-
 MOULDING MATERIAL A7-4-B
 GOST 20437-76.

(SUBSTITUTION OF POS. 2 OR 3
 IS PERMITTED.)

ALTERNATIVE MATERIAL FOR ITEM 2 (MATERIAL FOR INDIA):
 GLASS FILLED PHENOLIC MOULDING MATERIAL
 TO SPECN. IND/ME/951 GRADE X.

MARKING NOTE:-

H=TY. OF W.F.
 A=MANUFACTURER'S CODE MARK/INITIAL.
 D.S. CAT. NO.



SECTION A-A

PART SECTION B-B
 SCALE:- 5:1

ENLARGED VIEW AT-I
 SCALE:- 5:1

CERTIFIED COPY OF THE
 STORE DRG/GAUGE DRG/ISDI
 SPECN/NOTE SRT.
 DATE: 25/11/89

CERTIFIED CORRECT COPY
 APPROVED DRAWINGS
 DATE: 31/01/88

UN CONTROLLED COPY

25089 SA	6-6-2001	D/S	MARKING NOTE #SYMBOL ABBED. ...
240 SA	05-2-98		ALT. MAT. ADDED UNDER MATL. FOR INDIA FOR ITEM 2
23015 SA	3-3-95		ITEM NO. 4 FOR MOULDING MATL. SPECN. DEE 5741/53-3/55/1E-1
22965 SA	03-3-95		MATERIAL FOR INDIA FOR ITEM NO. 2 AMENDED
22532 SA	16-1-93		MATERIAL FOR INDIA FOR ITEM NO. 2 AMENDED
22165 SA	1-3-93		NEGATIVE RE-TRACED AND PROP. RE-SEALED.
22085 SA	16-12-92		PREVIOUS D (U) NO. 20160-SA
20573 SA	20-8-93		20573-SA, 20 893-SA 21-41-SA

DATE: 25/11/89

DGN: []
 ENL: []
 TRD: []
 COMB: []

DATE: [] NAME: [] ASSY: []
 DS. CAT. NO.: 1005-007200.
 MATERIAL: AS STATED.
 DIMENSIONS ARE IN MILLIMETRES

APPROVED DT: 31-1-88
 NEG. RE-TRACED

DESIGNER'S REF: 6111 C81-3C6
 DS. CAT. NO.: []

SCALE: 1:1

SEALED: [] PROV. []
 DCO. NO.: 18932-SA

CO. (MS) CHAPUR. A 1300

HANDLE ASSEMBLY