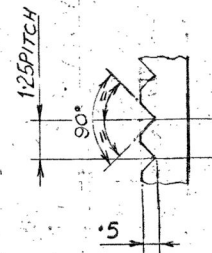
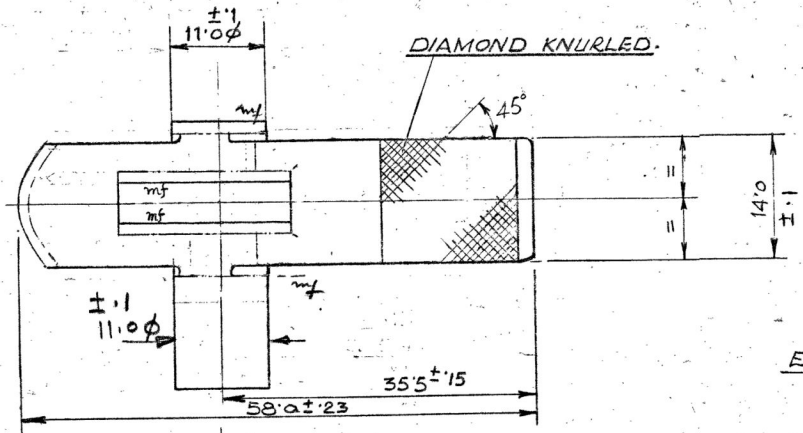
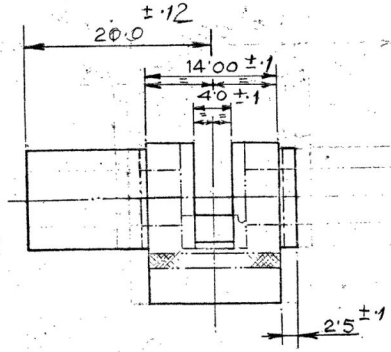
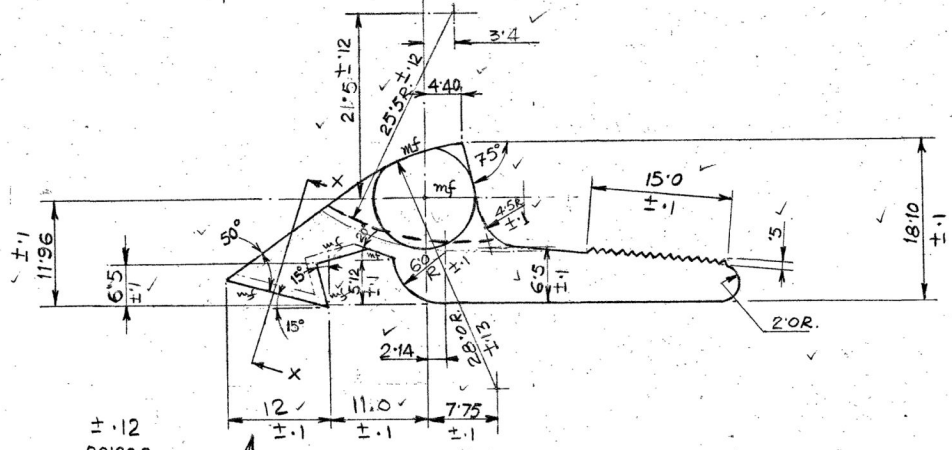


THIRD ANGLE PROJECTION.

IF IN DOUBT 'ASK'



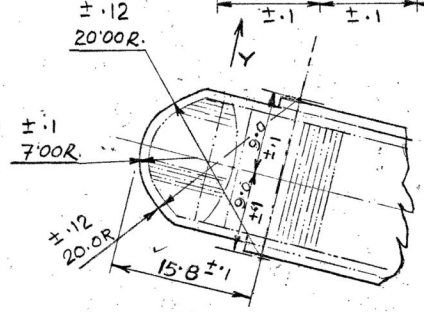
ENLARGED VIEW FOR DIAMOND KNURLED.



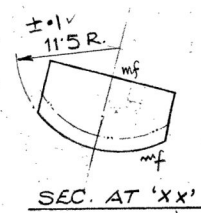
MATL:- BRASS, 15:320/ALLOY 3.

NOTE:-

1. ALL DIMENSIONS ARE IN M.M.
2. COMPONENT DRG. SHOWN IN CHAIN DOTTED.
3. SURFACES MKD. "mf" TO BE MACHINED.
4. MACHINING ALLOWANCES ARE ADDED BUT SHRINKAGE ALLOWANCES ARE NOT INCLUDED IN THE DIMENSIONS.
5. CASTING TO BE SUPPLIED IN NORMALIZED AND SAND BLASTED CONDITION.



VIEW IN THE DIRECTION OF ARROW 'Y'



SEC. AT 'X'

ORDNANCE FACTORY

DEHRADUN

DR- *[Signature]*
TR-
CH- *[Signature]*
APPROVED
[Signature]

SIGHT HEAVY MORTAR
LEVER
(INVESTMENT CASTING)

Dt- 2-3-78		SCALE- 2:1
MATH.	TREAT.	
AS ABOVE	AS ABOVE	
SHTS. 1	SHT. NO 1	
DRAWING NO		
O.D.D/C/584		

AMENDMENTS