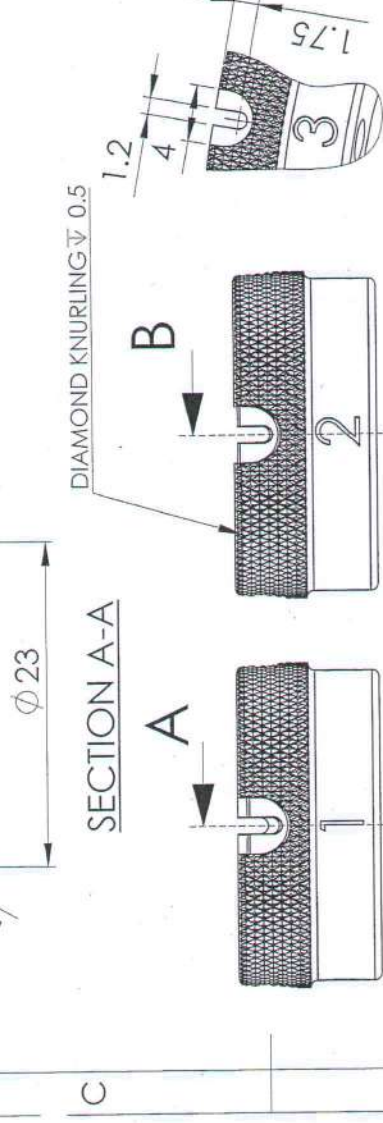
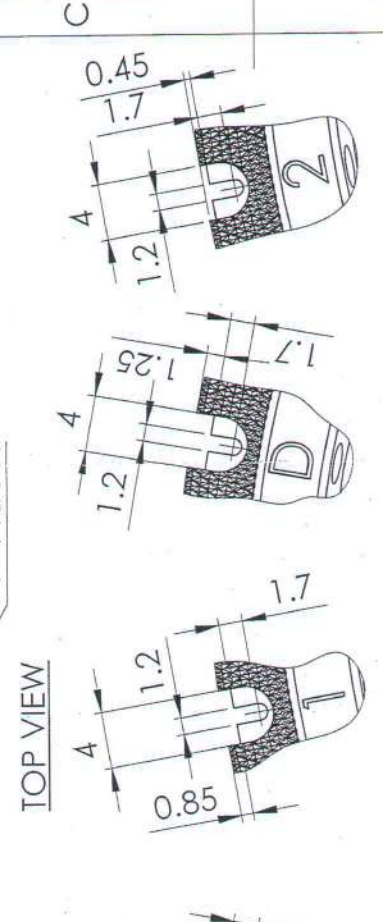


NOTE:
ENGRAVE TEXT HEIGHT 3mm
DEPTH 0.3mm



DWG Details		SIGN		DATE	
Material:	BS 970 Pt-1, 1983 709M40 (EN-19)	3rd Angle	<i>V. Babu</i>		
Alt. Material:	BS 970 Pt-1, 1983 708M40 (EN-19A)	DRAWN			
Hardness:	400 - 450 HV	CHECKED	<i>P. Fortom</i>		
Finish:	Phosphating to JSS:0465-01-1994, Class-II OIL finish	HOS/D&DO			
Un tolerated dimensions	IS:2102 Medium	DO/Prodn			
		DO/QC	<i>gk</i>		
		DO/DDO			

SUB: DRUM BACK SIGHT	FOR: COVER ASSY	PROJ.: Trica	DWG. No.: KC3 - 2021	A4	QPG - 1
Design Ref			Wt. (Appx) gm		
ORDNANCE FACTORY TIRUCHIRAPPALLI-16.			SHEET: 1 OF 1		