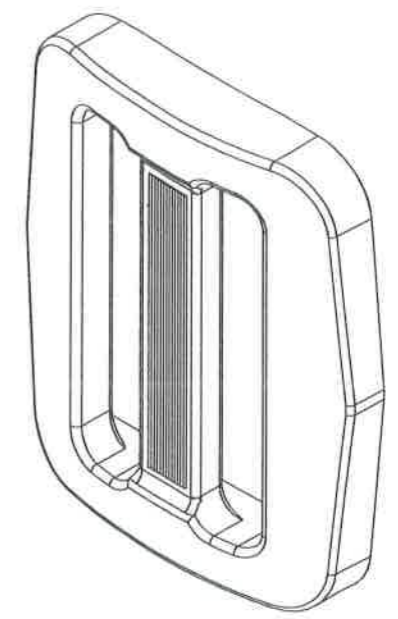
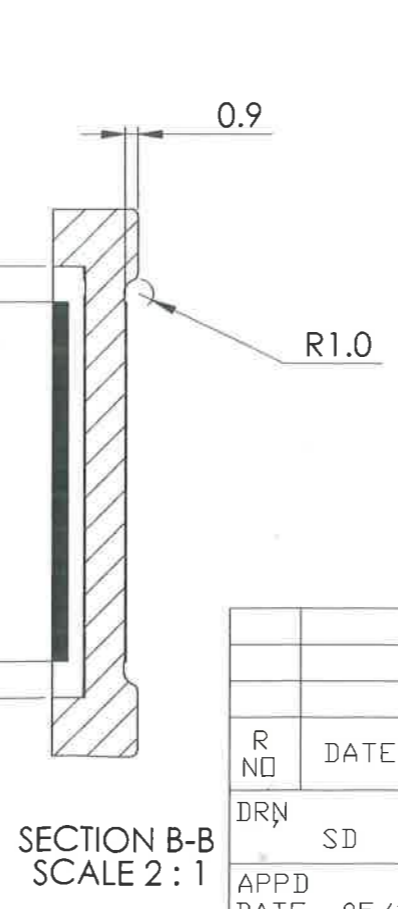
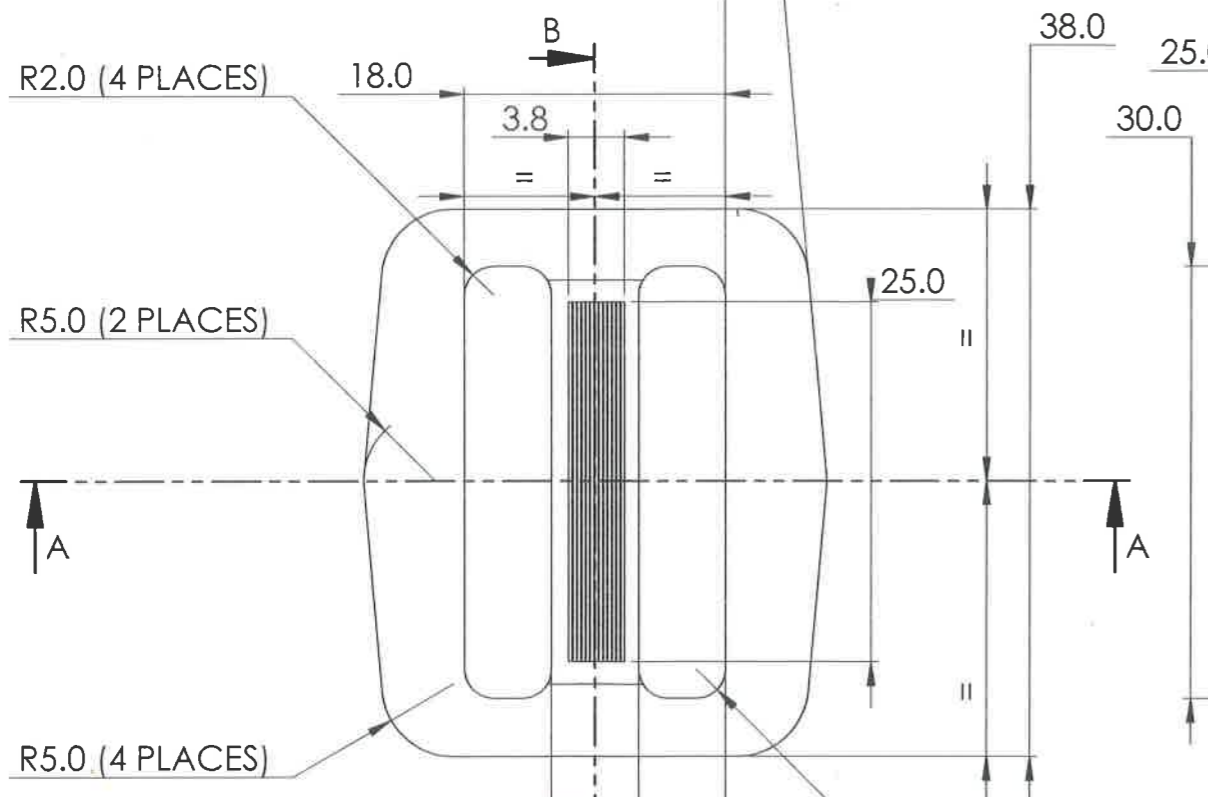
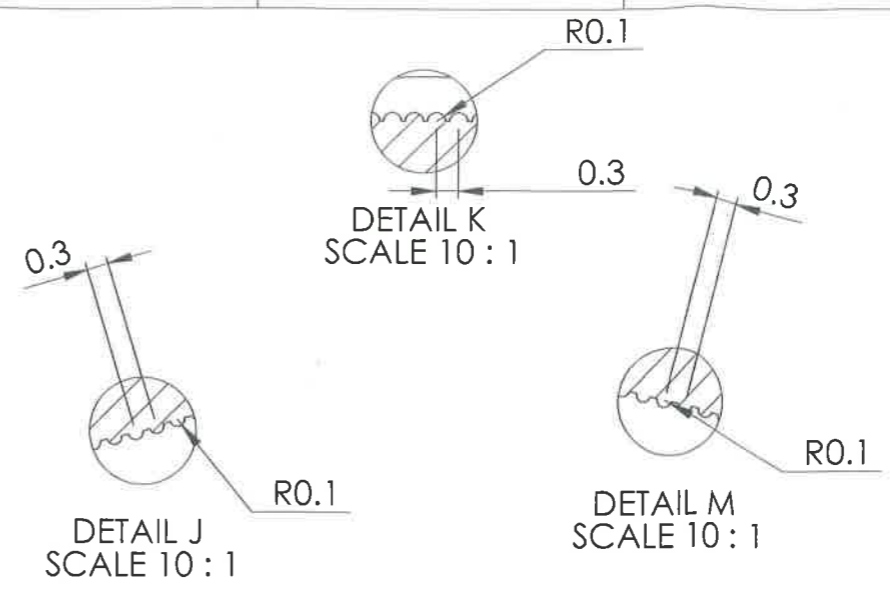
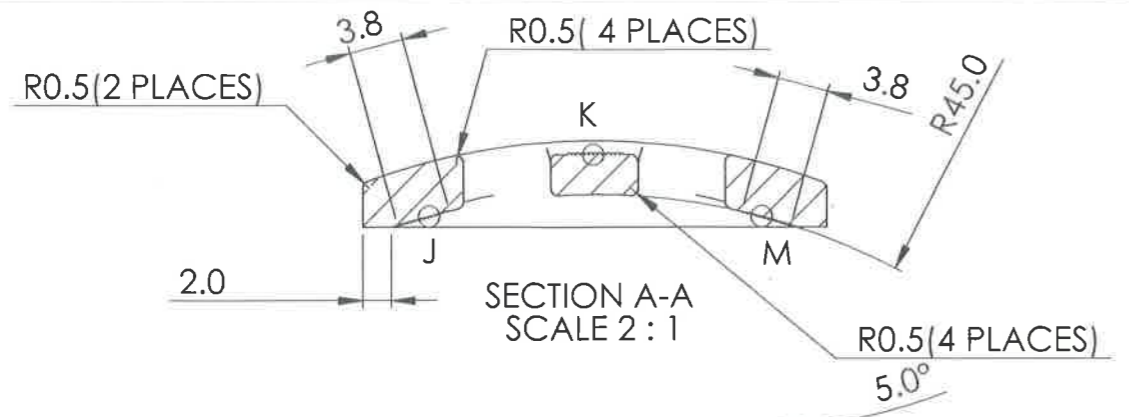


DRG NO 0204 0304 0103  
 GEN.TOL. ±0.2  
 DRAWING CONVENTION CONFIRM TO INDIAN STDS.  
 DIMN.IN mm UNLESS OTHERWISE STATED

CONTROL COPY No.



R NO	DATE	AUTHORITY	BRIEF RECORD	ZONE	CD	GD
DRN	SD	CHD	MATERIAL	SIGN		
APPD	DATE	FOR DIRECTOR	NYLON-66 (GF 10%)			
SEALD	DATE		PROTECTIVE FINISH			
SCALE	2:1	EST MASS	TITLE			
DESIGN	AUTHORITY	ARDE	SLIDING BUCKLE			
DRG NO	0204	04	03	00	00	001
	IC	SS	S	AA	A	C
PART NO		DS CAT NO		AHSP		

