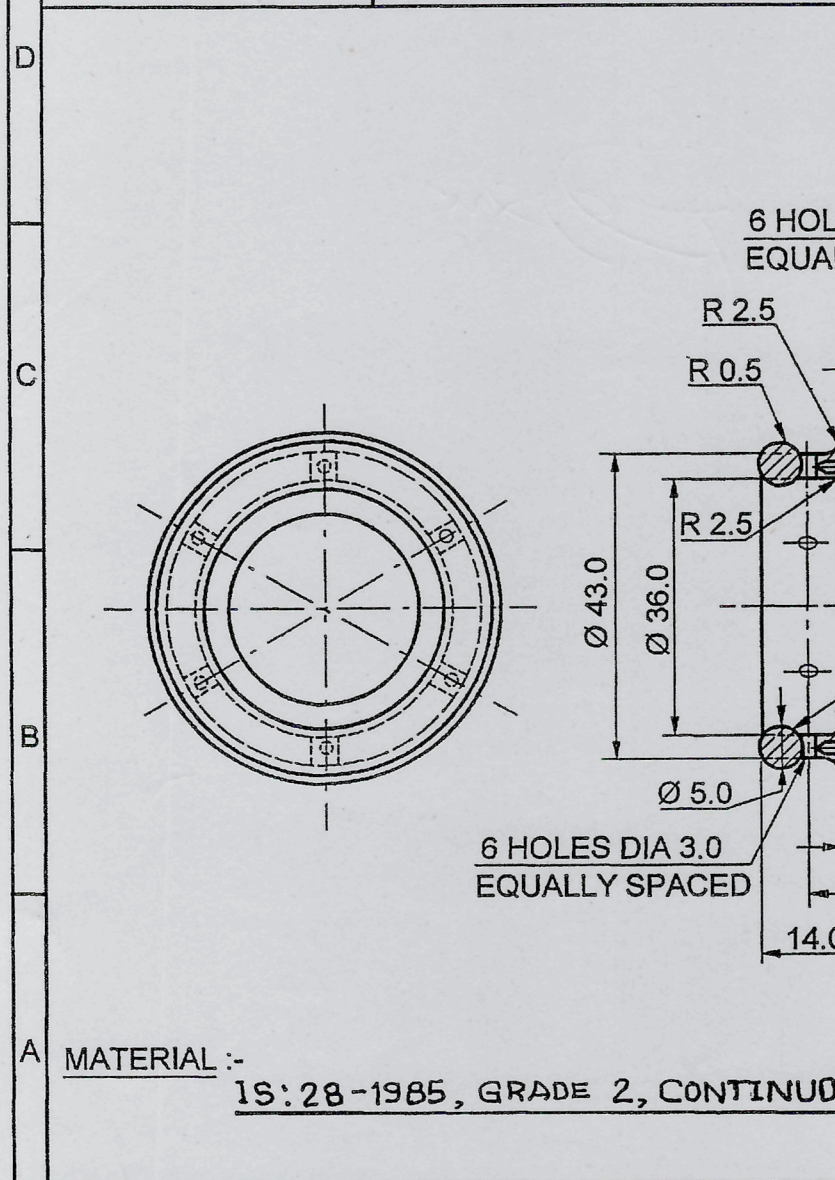


4	3	2	1
DS CAT No.	FOR EXPLANATION OF DIMENSIONING ETC SEE ARDE NOTE SHT No. 1		
<b>5330-023797</b>	DIMENSIONS ARE IN mm UNLESS OTHERWISE STATED		

Ø 28.0 H8	+ 0.033 0
Ø 50.8 d 8	- 0.100 - 0.146
NOM SIZE & FIT	DEVIATION



					<b>CQA(W), JABALPUR</b>		
31-8-18	19692-W		MATL. AMENDED.			DRN	CHD
15-5-17			SCANNED & PRINTED WITHOUT CHANGE			SCANNED - PKA	CHD <i>Shisham</i>
DATE	AUTH	ZONE	AMENDMENTS	SIG AHSP	SIG DO		AHSP
PREV DC Nos- 15961-W, 16095-W, 18819-W & 18897-W					D O FOR CQAW		
DT 22-02-05					ASSY DRG		
DRG SEALED:- 16095-W DT 23-12-83					1015-000558		
DO CQA(W)							
SCALE:- 1 : 1		ESTD mass:-		DATE:- 7-1-72		DESIGN No	
MATERIAL: - AS ABOVE					<b>D6P - 311002</b>		
PROT FINISH:-					PART No		
<b>RETAINER PACKING CROSS SECTIONAL</b>					<b>IFL 7377</b>		
					DS CAT No		
					<b>5330-023797</b>		

रिटेनर पैकिंग क्रॉस सेक्शनल