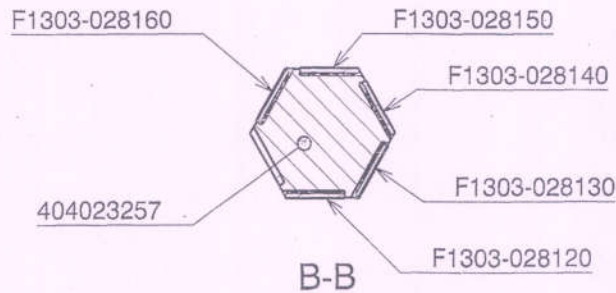


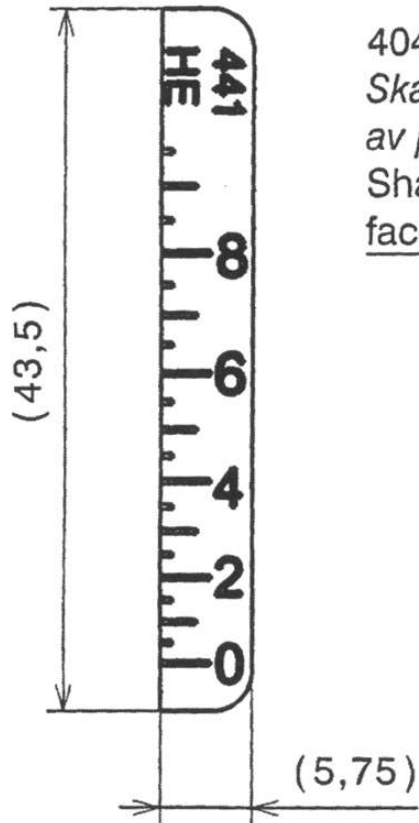
Isometric view  
Scale: 2:1



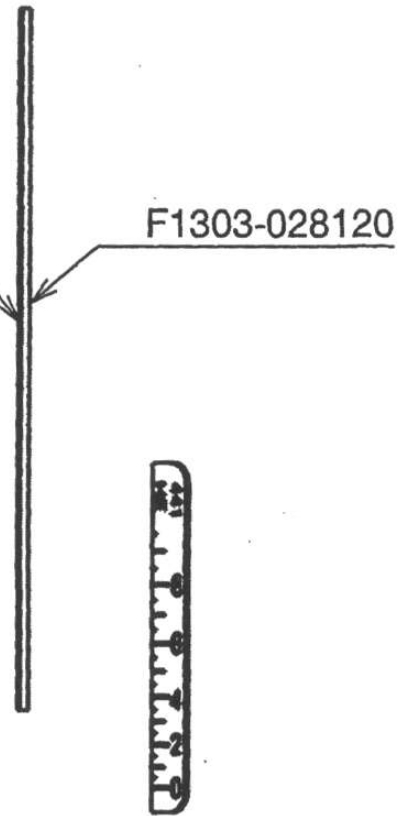
Maximum permissible deviation of dimension A  
for the different scales: 0,25 max

7-11-17	19627-W	DRG SEALED		
12-08-17		SCANNED & PRINTED WITHOUT CHANGE		
DATE	AUTHORITY	AMENDMENTS	SIG AHSP	SIG DO
PREV DC :-				
DRG SEALED- 19627-W, 7-11-17			SCANNED :- PKA	CHECKED :- <i>Shikhan</i>
<b>CQA (W) , JABALPUR</b>				

Material		---		
Ytbehandling Surface treated		---		
Artikelnr Part number		404023265		
Generell yfämhet General surface roughness	Skala Scale	---		
---	2:1	---		
Skarpa kanter brutna Sharp edges broken		---		
---		---		
Form- och lägebol enl. Form & pos tol acc. to	Håkal Fillet	Generell tolerans General tolerance	Generell radie General Radius	---
---	---	---	---	---
Utförd av Issued by	Datum Date yyyy-mm-dd	Dokumentstatus Document status	Change order number	
Jeanette S Gyllenberg	2014-03-20	AUTHORIZED	601005579	
Godkänd av Approved by	Datum Date yyyy-mm-dd	Informationsklass företagssekretess Company Confidentiality	COMPANY RESTRICTED	
Chamoun Malki	2014-11-11	Informationsklass försvarsekretess Classification Defence Secrecy	UNCLASSIFIED	
Informationsklass exportkontroll Classification Export Control	EXPORT CONTROLLED		UNCLASSIFIED	
Dokumenttitel Document title	Pillar 6 scales assy		Dokumentnummer Document number	304054107
FFV Ordnance AB		Utgåva Issue	1	Sida Sheet
				1/1

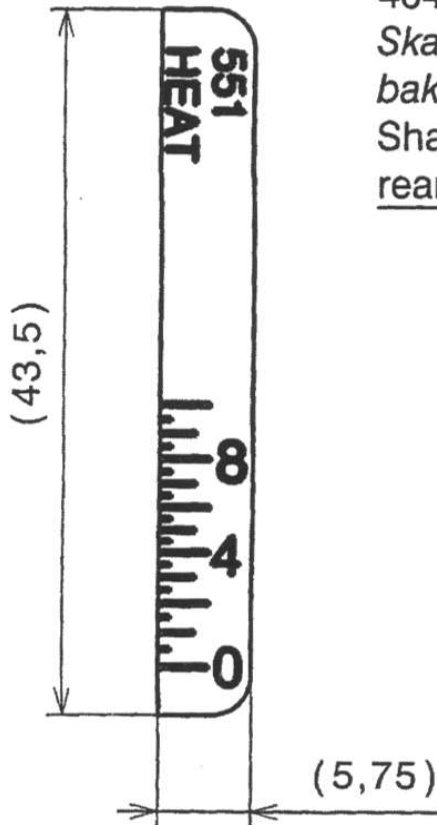


404031360  
 Ska täcka hela baksidan  
 av plåten  
 Shall cover the entire rear  
 face of the plate

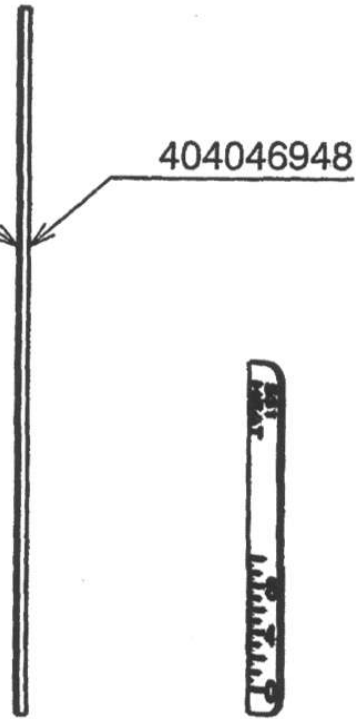


Isometric view  
 Scale: 1:1

24-03-16	19494-W	DRG. SEALED.			
12-02-16		SCANNED & PRINTED WITHOUT CHANGE		<i>[Signature]</i>	<i>[Signature]</i>
DATE	AUTHORITY	AMENDMENTS		SIG AHSP	SIG DO
PREV DC :-					
DRG SEALED :- 19494-W DATE: 24-03-16			SCANNED :- PKA	CHECKED :- <i>[Signature]</i>	
<b>CQA (W), JABALPUR</b>					
Material				---	
Ytbehandling Surface treated				Artikelnnummer Part number	
---				F1303-028120	
Generell yttjämnhet General surface roughness		Skala Scale		---	
---		2:1		---	
Skarpa kanter brutna Sharp edges broken				---	
---		---		---	
Form- och lägetol. enl. Form & pos tol acc. to		Hålkål Filet		Generell tolerans General tolerance	
---		---		---	
Utfärdad av Issued by		Datum Date yyyy-mm-dd		Dokumentstatus Document status	
Viktor Andersson		2014-01-08		AUTHORIZED	
Godkänd av Approved by		Datum Date yyyy-mm-dd		Change order number	
Jon Eriksson		2014-01-16		601008797	
Informationsklass exportkontroll Classification Export Control		Informationsklass företagssekretess Classification Company Confidentiality		Informationsklass försvarssekretess Classification Defence Secrecy	
EXPORT CONTROLLED		COMPANY RESTRICTED		UNCLASSIFIED	
Dokumenttitel Document title				Dokumentnummer Document number	
Range Scale 441 HE assy				304087547	



404031360  
 Ska täcka hela  
 baksidan av plåten  
 Shall cover the entire  
 rear face of the plate



Isometric view  
 Scale: 1:1

2403-16	19494-W	DRG. SEALED.		
12-02-16		SCANNED & PRINTED WITHOUT CHANGE		
DATE	AUTHORITY	AMENDMENTS	SIG AHSP	SIG DO

PREV DC :-

DRG SEALED :- 19494-W DT. 24-03-16  
 SCANNED :- PKA  
 CHECKED :- *[Signature]*

**CQA (W) , JABALPUR**

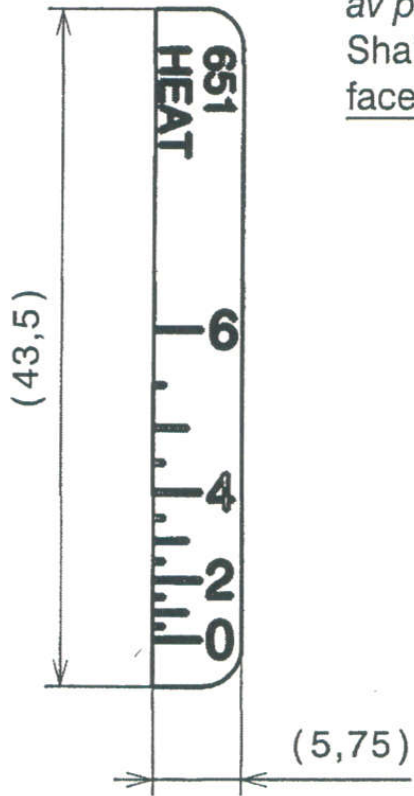
Material ---				
Ytbehandling Surface treated ---		Artikelnummer Part number F1303-028140		
Generell ytjämnhet General surface roughness ---		Skala Scale 2:1		---
Skarpa kanter brutna Sharp edges broken ---				
Form- och lägetol enl. Form & pos tol acc. to ---		Hålkål Fillet ---	Generell tolerans General tolerance ---	Generell radie General Radius ---
Utfärdad av Issued by Viktor Andersson		Datum Date yyyy-mm-dd 2014-01-08		Dokumentstatus Document status AUTHORIZED
Godkänd av Approved by Jon Eriksson		Datum Date yyyy-mm-dd 2014-01-16		Change order number 601008797
Informationsklass exportkontroll Classification Export Control EXPORT CONTROLLED		Informationsklass företagssekretess Classification Company Confidentiality COMPANY RESTRICTED		
Informationsklass försvarssekretess Classification Defence Secrecy UNCLASSIFIED				
Dokumenttitel Document title Range Scale 551 HEAT assy		Dokumentnummer Document number 304087576		

404031360

Skall täcka hela baksidan  
av plåten

Shall cover the entire rear  
face of the plate

404046971



Isometric view

Scale: 1:1

24-03-16	19494-W	DRG. SEALED.		
12-02-16		SCANNED & PRINTED WITHOUT CHANGE		
DATE	AUTHORITY	AMENDMENTS	SIG AHSP	SIG DO

PREV DC :-

DRG SEALED :- 19494-W DT. 24-03-16	SCANNED :- PKA	CHECKED :- <i>[Signature]</i>
---------------------------------------	----------------	-------------------------------

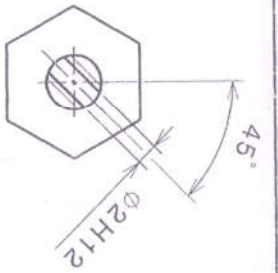
### CQA (W) , JABALPUR

Material --		Artikelnummer Part number F1303-028160		
Ytbehandling Surface treated --				
Generell ytjämnhet General surface roughness --	Skala Scale 2:1	--		
Skarpa kanter brutna Sharp edges broken --				
Form- och lägetol enl. Form & pos tol acc. to --	Hålkål Fillet --	Generell tolerans General tolerance --	Generell radie General Radius --	
Utfärdad av Issued by Viktor Andersson	Datum Date yyyy-mm-dd 2014-01-08	Dokumentstatus Document status AUTHORIZED	Change order number 601008797	
Godkänd av Approved by Jon Eriksson	Datum Date yyyy-mm-dd 2014-01-16	Informationsklass företagssekretess Classification Company Confidentiality COMPANY RESTRICTED		
Informationsklass exportkontroll Classification Export Control EXPORT CONTROLLED		Informationsklass försvarssekretess Classification Defence Secrecy UNCLASSIFIED		
Dokumenttitel Document title Range Scale HEAT 651 assy		Dokumentnummer Document number 304087633		

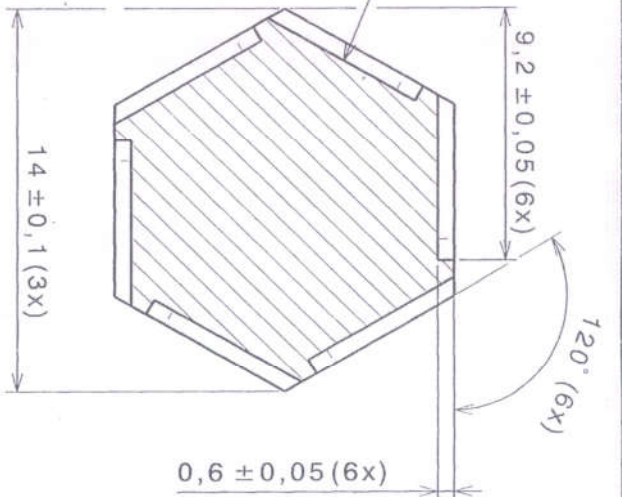
FFV Ordnance AB

Utgåva Issue 1

Sida Sheet 1/1



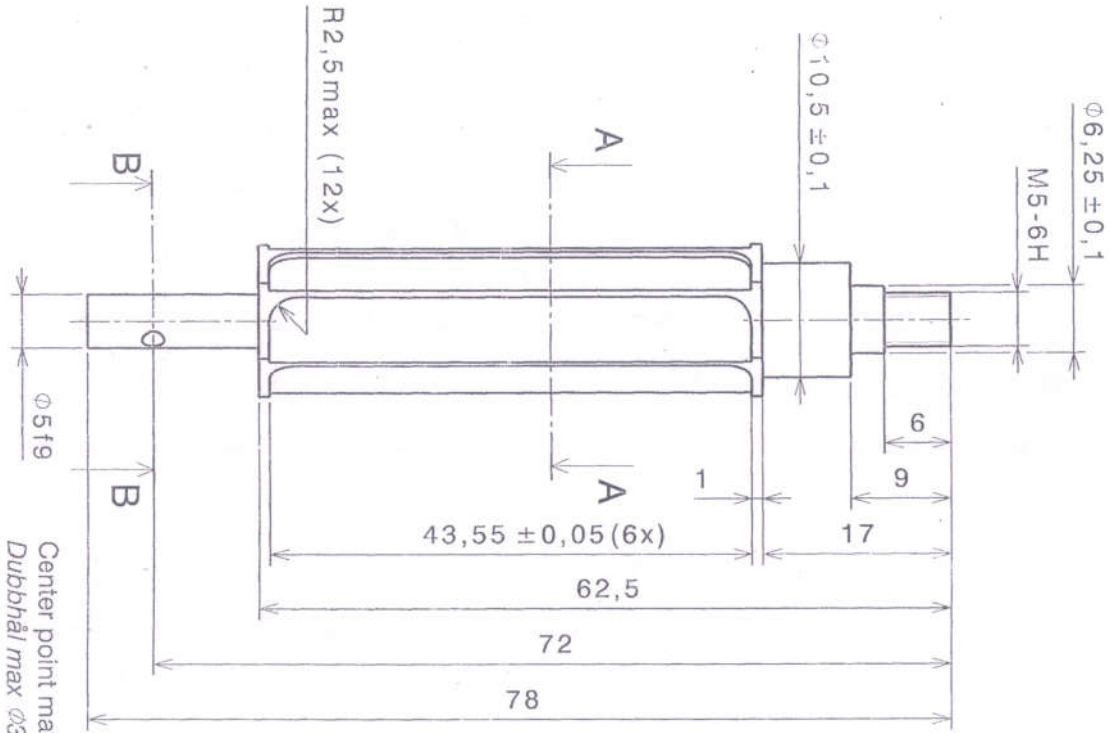
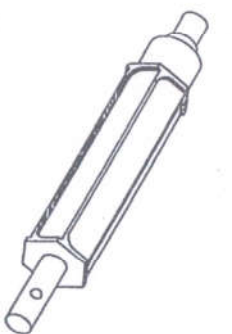
These 6 surfaces are intended for gluing and must not be contaminated



Isometric view

Scale: 1:1

INDIGS MATL- 1S-735-1903  
DESIGNATION 64430 CONDITION WP



Center point max  $\phi 3$  permissible at both ends  
Dubhål max  $\phi 3$  tillåts i båda ändar

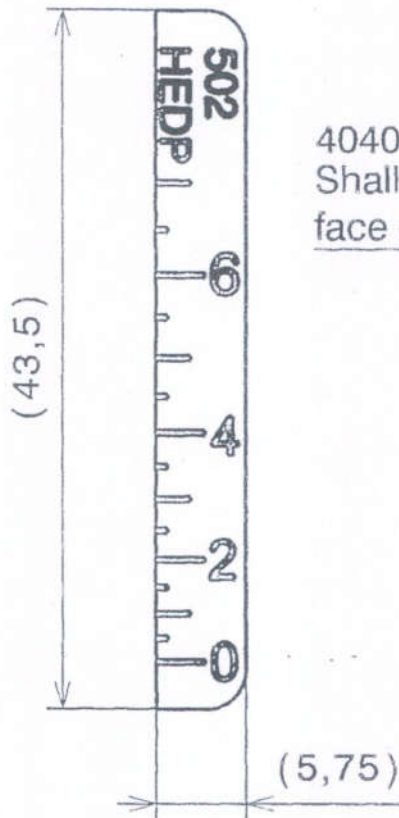
A-A		19623-W 07-11-17	DRG SEALED.		
Scale: 5:1		5B2458/COAW/007	INDIGS MATL ADDED.		
12-08-17	DATE	14-03-2017	SCANNED & PRINTED WITHOUT CHANGE		
	AUTHORITY		AMENDMENTS		
	PREV DC :-				

DRG SEALED:-19623-W, DT: 7-11-17	SCANNED:-PKA	CHECKED:-
<b>COA (W), JABALPUR</b>		

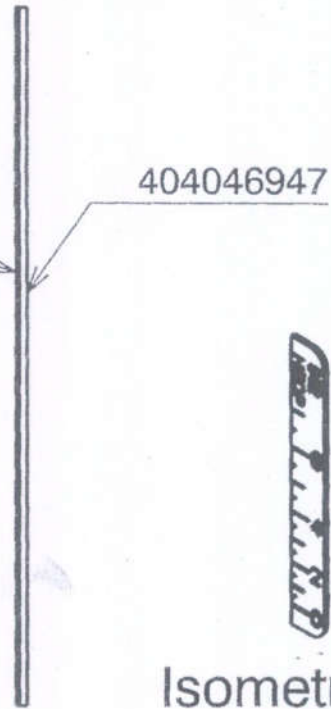
Material EN AW-6082-T6 ALT EN AW-7075-T6		Ytbehandling: Surface treated	
AA Class 20 Black acc. to Technical specification		Scale: 2:1	
General tolerances	General surface roughness	Ra 3.2	
Skarpa kanter borta	Sharp edges broken	0,3 max	
Form- och lägefel enl. Form & pos to acc to		ISO 1101	
Undertecknad av	Issued by	Hållfel	Flat
Andreas Schalin	2014-11-14	0,2 max	
Godkänd av	Approved by	Datum: 2014-11-14	
Chamoun Malki	2014-11-14	Datum: 2014-11-14	
Information: klass exportkontroll	Classification: Export Control	EXPORT CONTROLLED	
Information: klass försvarssekretess	Classification: Defence Secrecy	UNCLASSIFIED	
Documentnummer: 304052050	Document number: 304052050	Pillar	

FFV Ordnance AB

Utgåva: 1  
Sida: 1/1

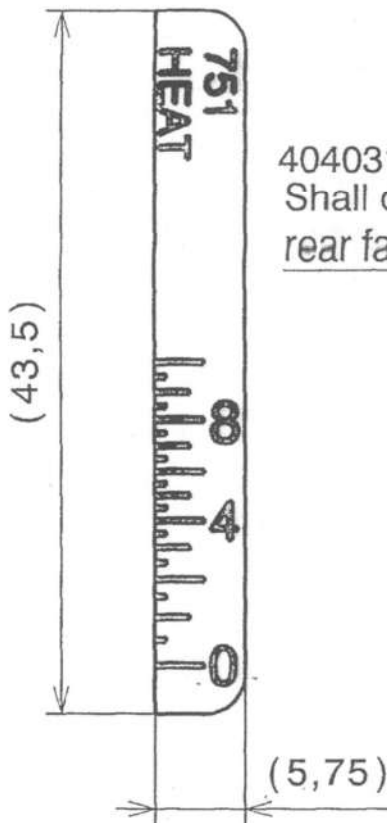


404031360  
 Shall cover entire rear  
 face of the plate



Isometric view  
 Scale: 1:1

7-11-17	19627-W	DRG SEALED.		
12-08-17		SCANNED & PRINTED WITHOUT CHANGE	<i>W</i>	<i>ES</i>
DATE	AUTHORITY	AMENDMENTS	SIG AHSP	SIG DO
PREV DC :-				
DRG SEALED :- 19627-W , DT. 7-11-17		SCANNED :- PKA	CHECKED :- <i>Shikumar</i>	
<b>CQA (W) , JABALPUR</b>				
Material				
---				
Ytbehandling Surface treated			Artikelnummer Part number	
---			F1303-028130	
Generell ythjämnhet General surface roughness		Skala Scale		
---		2:1		
Skarpa kantar brutna Sharp edges broken				
Form- och lägetol enl. Form & pos tol acc. to		Hålkål Fillet	Generell tolerans General tolerance	Generell radie General Radius
---		---	---	---
Utfärdad av Issued by		Datum Date yyyy-mm-dd	Dokumentstatus Document status	Change order number
Viktor Andersson		2014-01-09	AUTHORIZED	601008680
Godkänd av Approved by		Datum Date yyyy-mm-dd	Informationsklass företagssekretess Classification Company Confidentiality	
Jon Eriksson		2014-01-22	COMPANY RESTRICTED	
Informationsklass exportkontroll Classification Export Control		Informationsklass försvarssekretess Classification Defence Secrecy		
EXPORT CONTROLLED		UNCLASSIFIED		
Dokumenttitel Document title		Dokumentnummer Document number		
Range Scale 502 HEDP assy		304087690		
FFV Ordnance AB			Utgåva Issue	Sida Sheet
			1	1/1



404031360  
 Shall cover the entire  
 rear face of the plate

404046970



Isometric view  
 Scale: 1:1

7-11-17	19627-W	DRG SEALED		<i>BT</i>
12-08-17		SCANNED & PRINTED WITHOUT CHANGE	<i>W</i>	<i>BT</i>
DATE	AUTHORITY	AMENDMENTS	SIG AHSP	SIG DO

PREV DC :-

DRG SEALED: 19627-W, DT- 7-11-17	SCANNED :- PKA	CHECKED :- <i>Shishan</i>
----------------------------------	----------------	---------------------------

**CQA (W) , JABALPUR**

Material ---				
Ytbehandling Surface treated ---		Artikelnummer Part number F1303-028150		
Generell yfjämnhet General surface roughness ---		Skala Scale 2:1	---	
Skarpa kanter brutna Sharp edges broken ---				
Form- och lägetol enl. Form & pos tol acc. to ---		Hålkål Fillet ---	Generell tolerans General tolerance ---	Generell radie General Radius ---
Utfärdad av Issued by <b>Viktor Andersson</b>		Datum Date yyyy-mm-dd 2014-01-08	Dokumentstatus Document status AUTHORIZED	Change order number 601008797
Godkänd av Approved by <b>Jon Eriksson</b>		Datum Date yyyy-mm-dd 2014-01-16	Informationsklass företagssekretess Classification Company Confidentiality COMPANY RESTRICTED	
Informationsklass exportkontroll Classification Export Control EXPORT CONTROLLED		Informationsklass försvarssekretess Classification Defence Secrecy UNCLASSIFIED		
Dokumenttitel Document title Range Scale 751, HEAT assy		Dokumentnummer Document number 304087587		

FFV Ordnance AB

Utgåva Issue

1

Sida Sheet

1/1