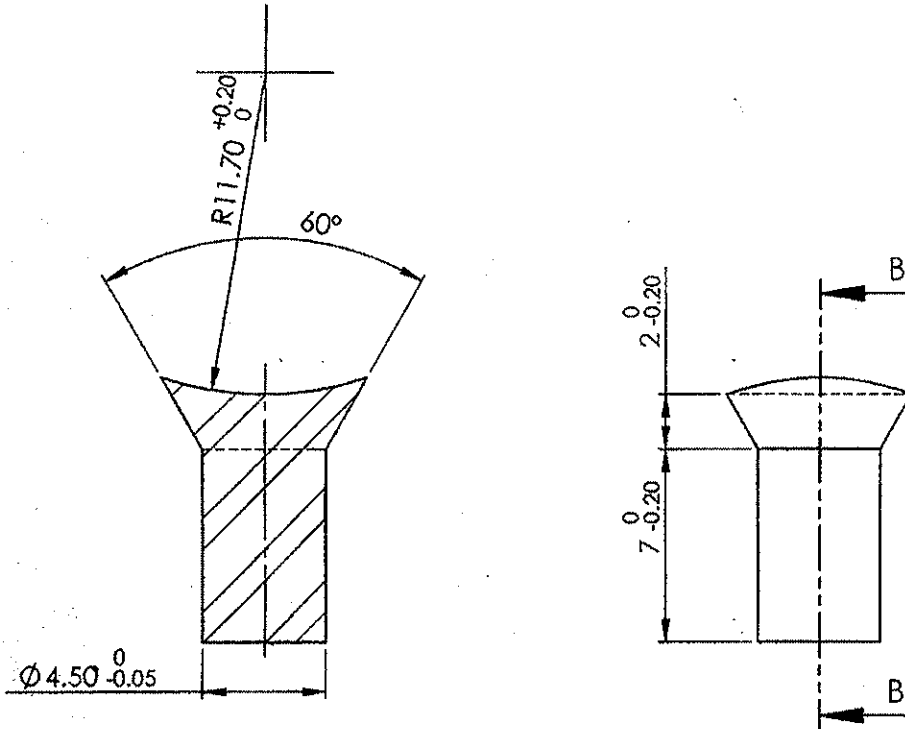
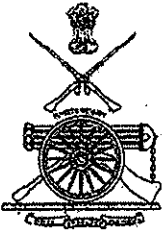


DRG. NO.

DIMENSIONS ARE IN mm.

UNTOLERATED DIMNS. AS PER IS : 2102 (MED)

MARK DRAWING No.



SECTION B-B

CERTIFIED CORRECT COPY
OF APPROVED DRAWINGS
AT THIS DATE. *[Signature]*

Design & Drawing Office
Ordnance Factory,
Tiruchirappalli-620016.

UN CONTROLLED COPY

Material :
Steel

BS:970 Pt.1 1983 Sec.3 Gr.708 M40 (or) EN19
BS:970 Pt.1 1983 Sec.3 Gr.709 M40 (or) EN19A
BS:970 Pt.1 1983 Sec.3 Gr.817 M40 (or) EN24

Hardness: 175 - 250 HV

Protective Finish :

Accelerated Phosphating to Specn. JSS : 0465-01-1994
Class II Oil Finish

AMENDMENTS	SIG. & DATE		SIGNATURE & DATE.	SUB: Rivet Bullet Guide	SCALE
		TRACED			FOR: Receiver Assy
		DRAWN		OF: TRICHY ASSAULT RIFLE	QPG
		CHECKED		DES. REF. NO. K-1102	1
		OIC/D&DO	<i>P. Testan</i>	DRG. No.: TAR-K-1102	Weight (g)
OFFICER/PRODN.		ORDNANCE FACTORY TIRUCHIRAPPALLI-16.	1.31		
DIV. OFFICER/D&DO	<i>S. K. ...</i>		SHEETS: 1		
		APPROVED ON. 01/11/2017			SHEET No.: 1