

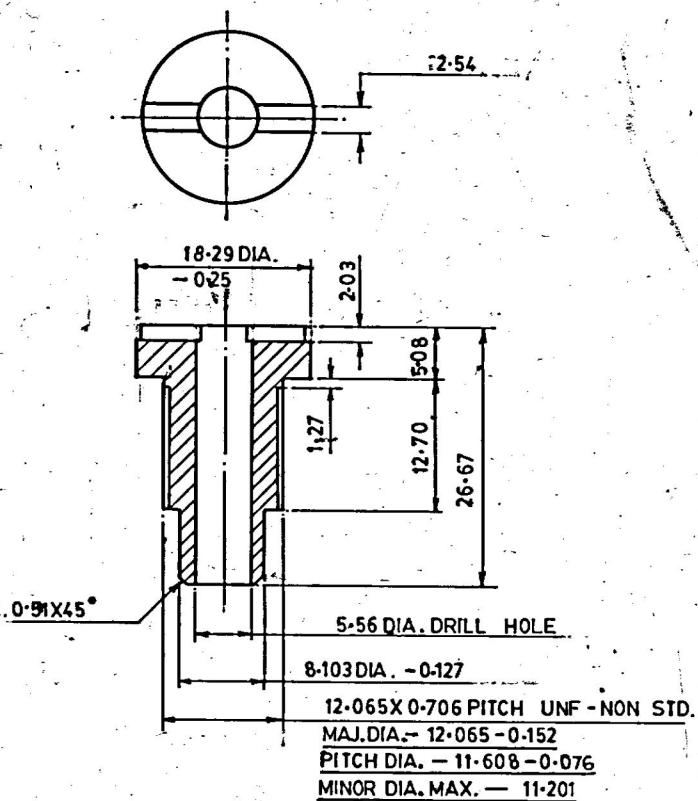
791810-5085

ON
DS.CAT

DIMNS. ARE IN mm.

NOTE :-

FOR EXPLANATION OF DETAILS WHEREVER NOT SPECIFIED REFER D.D. NOTE SHEET NO:3 (LATEST ISSUE).



METRIC

DRN				CHO		TRD		Skelch		COMP		Binha		ASSY.		1005-001594, 1005-001595, 1005-001596			
SCALE ~ 2:1				MFG/INSP INSTRUCTIONS				APPROVED DT. 19.6.67.				⊕							
24.6.23-27.01.2000				D.S.CAT. NO. 5305-018167 WAS 1005-001676.				DT. 30.12.95				NEG. RE-TRACED				AH SP CQA(SA)CHAPUR			
29-12-95 23211-SA				PERFORMA. CHANGED, NEG. RE-TRACED & DRG. RE-SEALED				MATERIAL				STEEL BS 970 PT.1: 1983 Gr.080 M30				DGNR'S REF. ARDE 657/119			
				PREVIOUS DC Nos. 14884-SA, 16217-SA, 17591-SA, 18529-SA & 22638-SA.				H.T./HARDNESS				220 - 270 HV (38 - 44.5 HRD)				PART No.			
DATE AUTH.				BRIEF RECORD				PROTECTIVE FINISH				HEAD PORTION:- PHOSPHATE TO SPECN. JSS:0465:01-1988 CLASS I, PAINT RPU FINISHING AMMUNITION STOVING BLK. SPRAYING FOR SMALL ARMS TO SPECN. JAS:8010-37. REST PORTION:- PHOSPHATE TO SPECN. JSS:0465:01-1988 CLASS I, OIL FINISH.				DRG.No.			
SEALED:- DC 14884 SA DT. 17.11.76.				ZONE				G.O.				D.S.CAT. No.				5305-018167			
NOMENCLATURE				SCREW RETURN SPRING TUBE															