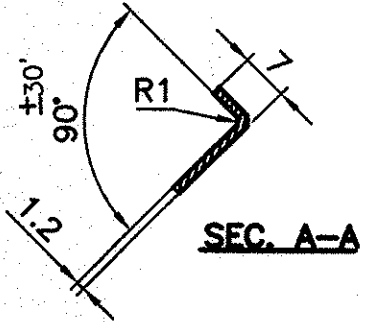
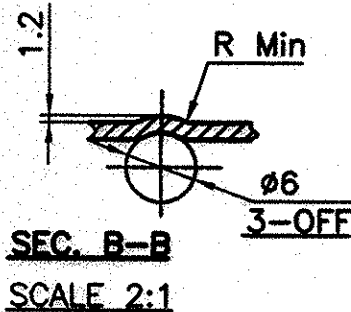
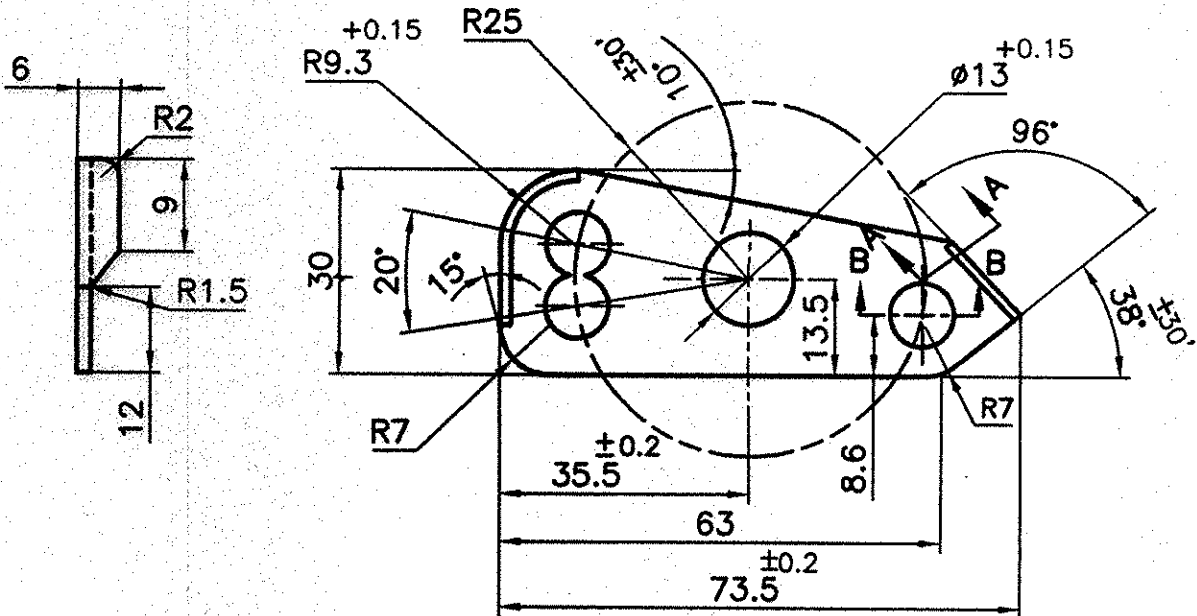



DIMENSIONS ARE IN mm.
 UNTOLERATED DIMNS. AS PER IS : 2102 (MED)
 SHARP CORNERS TOBE BLUNT TO R1.



MATERIAL : IS: 2507 -1975, GRADE 1, DESIGNATION, 45C8.
 (OR) BS 1449, PART-1, 1983, GRADE-CS 55 (OR) CS50 (OR) CS40.

HARDNESS: 320 - 360 HV

PROTECTIVE FINISH:-
 PHOSPHATED TO SPECN. JSS:0465-01-1988
 CLASS-1(ACCELERATED)OIL FINISH.

PART NO.	DESCRIPTIONS	NO OFF	MATERIAL	TREATMENT	REMARKS
	SIGNATURE & DATE	SUB: PLATE BUTT RELEASE			SCALE NTS
TRACED		FOR: STOCK BUTT ASSY.			STORE DRG.NO.
DRAWN	<i>S. Venkatesh</i>	OF: 40mm MGL			
CHECKED		DES. REF. NO.			OPERATION NO.
HOS/D&DO	<i>S.P.</i>	DRG. No.: 30P 5014			
MODL OFFICER/ FOR MGL	<i>M.P.</i>	 ORDNANCE FACTORY TIRUCHIRAPPALLI-16.			SHEETS: 1
OFFICER/ D&DO					SHEET No.: 1
AMENDMENTS	SIG. & DATE	APPROVED ON. 25/02/2015			