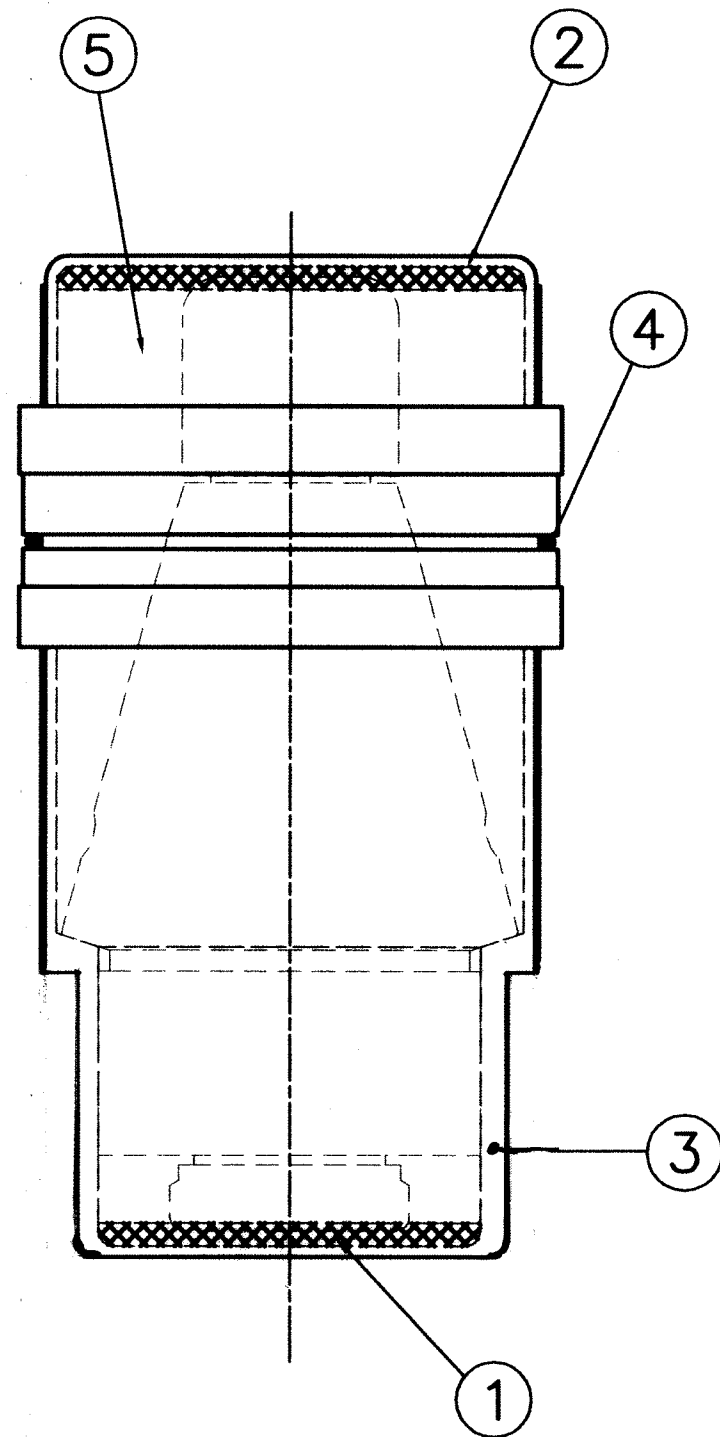
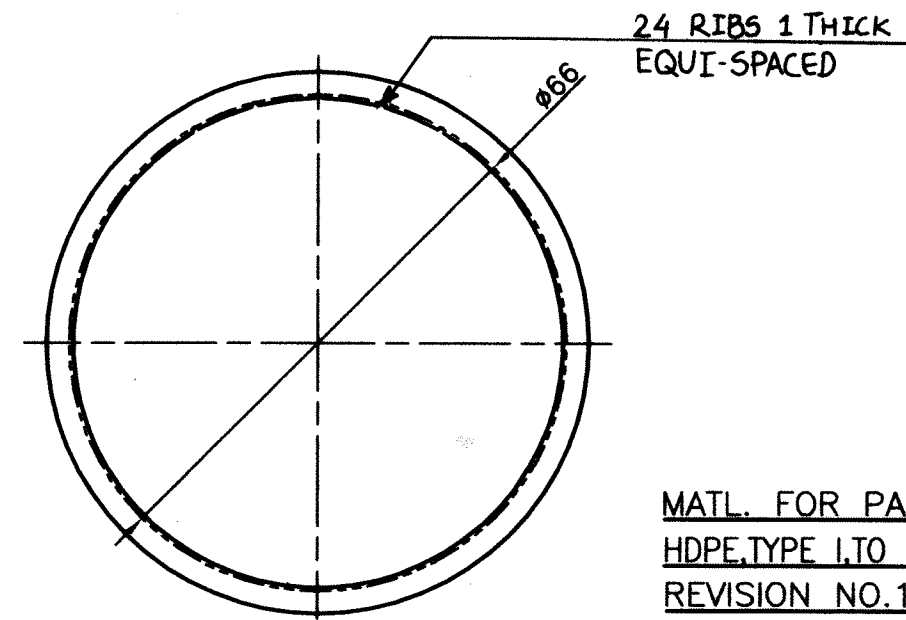
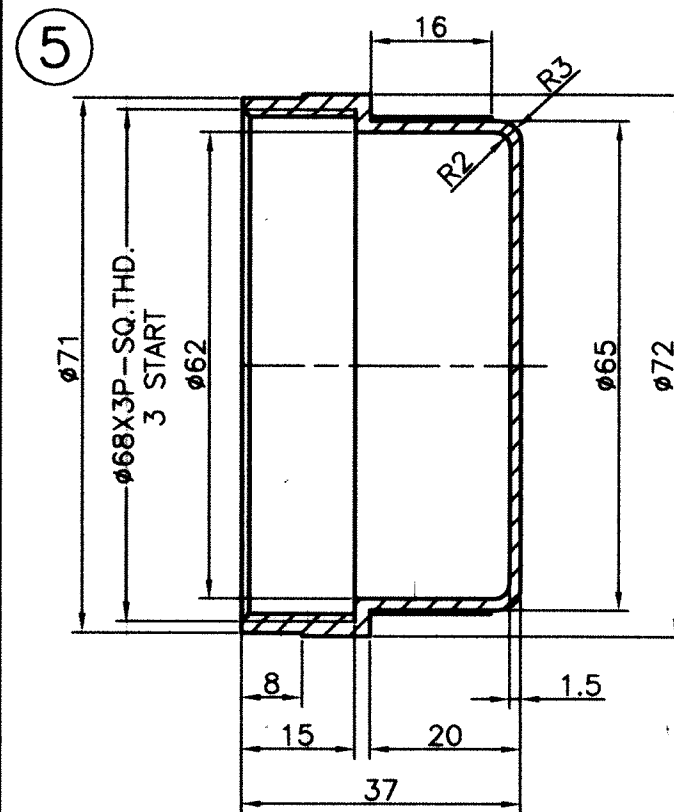
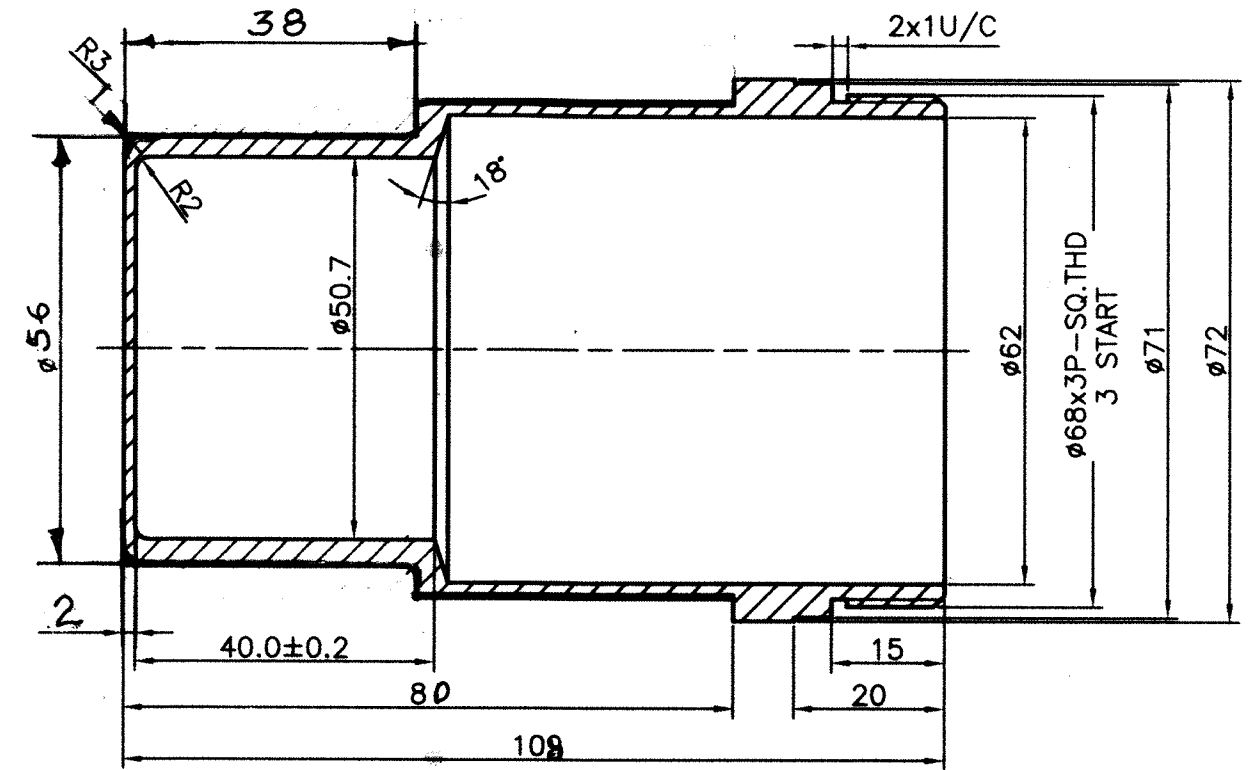
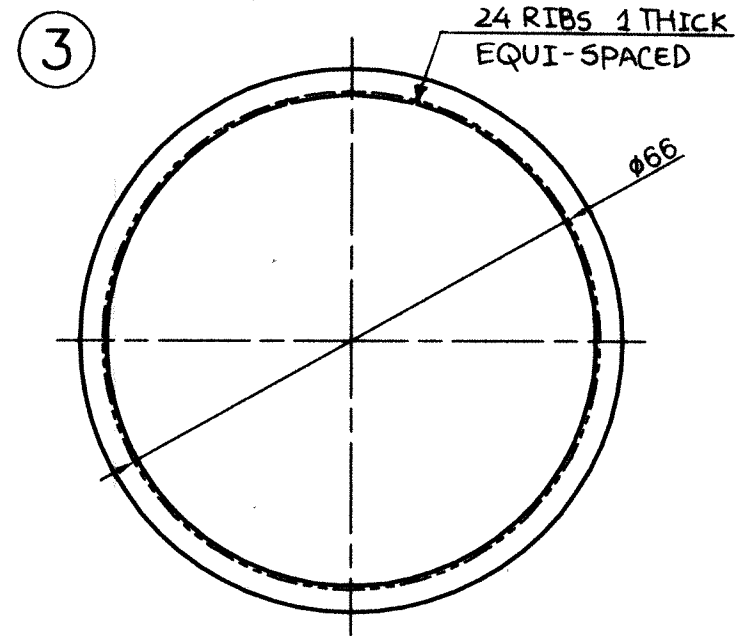


DRG. NO.- FS-2451



GENERAL ARRANGEMENT



MATL. FOR PART ②&④
 HDPE,TYPE I,TO SPECN. JSS 9330-03-1995
 REVISION NO.1, (OLIVE GREEN)

S.NO.	DESCRIPTION	NO.OFF	MATERIAL	REMARKS
5	CAP	1	AS ABOVE	OLIVE GREEN
4	'O' RING	1	NEOPRENE	FS- 2453
3	CONTAINER	1	AS ABOVE	OLIVE GREEN
2	DISC	1	CUSHION	FS- 2452/2
1	DISC	1	CUSHION	FS-2452/1

PART LIST

DIMENSIONS ARE IN mm.			MATERIAL—		ORDNANCE FACTORY AMBAJHARI
THIRD ANGLE PROJECTION			AS STATED ABOVE		
SCALE - 1:1			NOMENCLATURE		DRG. NO : FS-2451
2003	NAME	DATE	PLASTIC CONTAINER		SHEET NO.- 1
DRAWN	<i>[Signature]</i>	11/11/03			NO OF SHEETS- 1
TRACED			SCHEDULE NO.		OPN. -
CHECKED	<i>[Signature]</i>	2.11.03			STORE: FUZE 117
JWM/CDD	<i>[Signature]</i>	02/11/03			
APPRV.	<i>[Signature]</i>	02/11/03			

REV	DATE	DESCRIPTION	SIGN
AMENDMENTS			