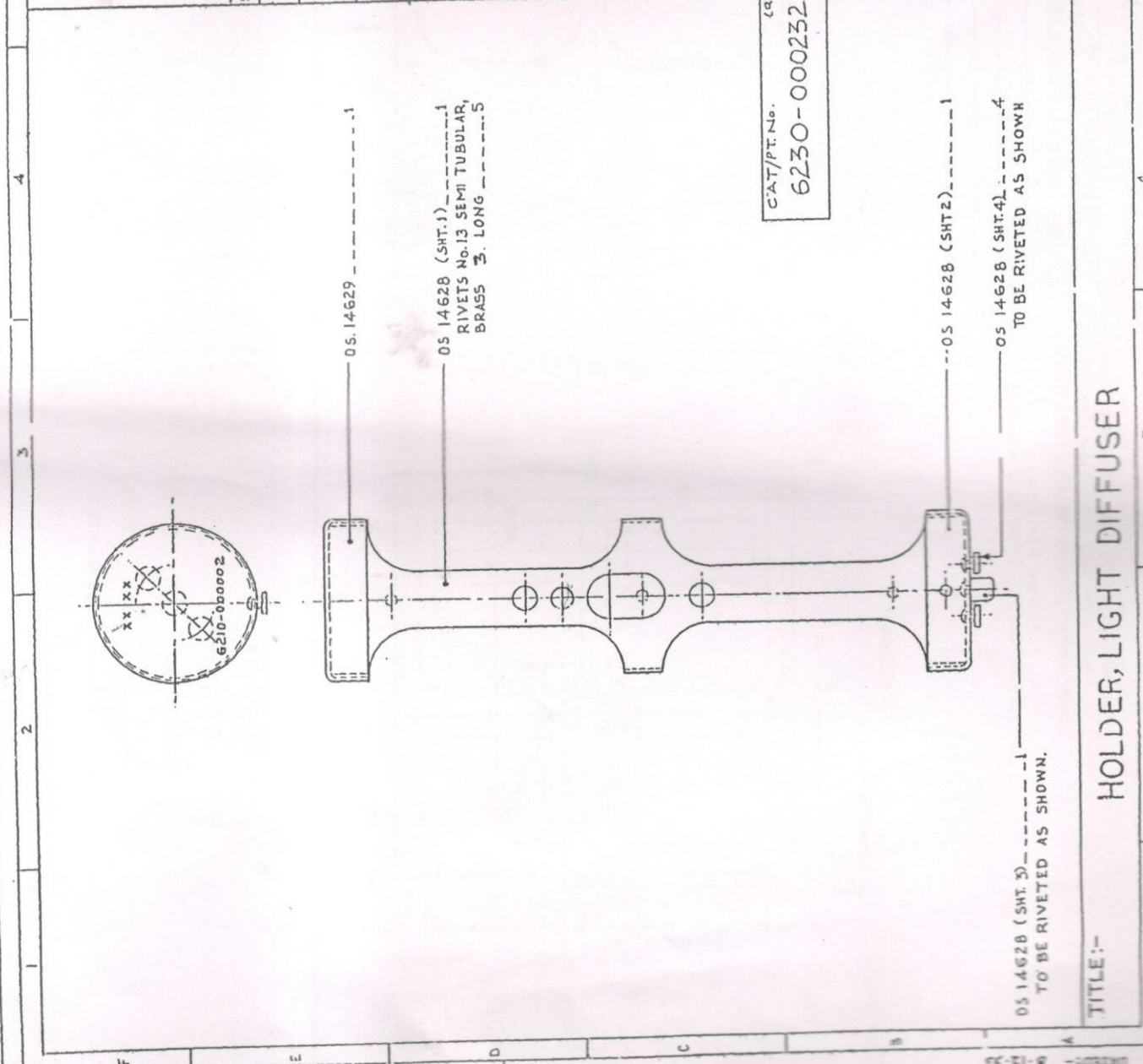


SYM ZONE	AMENDMENTS	SIG	CHKD	DATE
	D.C. (1)-2945-1 DRAWING SEALED.	L	L	18/74
	(A) D. C. (1)-5400-1. CAT/PT. No. ADDED & SUPPLIER'S No. WAS PART No.	W	W	28.90
	D.C. 5810-1, METRICISED, UPDA- TED & REDUCED DRG SEALED IN SUPERSESSION OF EXISTING ONE	W	W	21/12/93

FOR TRADE CHM
Date: 17/19/2024
H.P. Jena

FOR EXPLANATION OF DIMENSIONING ETC., SEE CQA(1) GUIDE No. 001-1992	DRN: 052	APPROVED for: [Signature]
THIRD ANGLE PROJECTION DIMENSIONS ARE IN MM.	TRC: 072	CONROLLER CII, DEHRA DUKH
MATL. & SPE. AS ON DRG.	CHKD: [Signature]	DATE: 16/01/24
FINISH:- AS ON DRG.	US'D ON: 05 545 GA	
	BASED ON: 05. 545 GA	
	SUPPLIERS No. 05 1413 SA	
	DRG No. CII-423	
	SCALE 1/1	SHT OF 5HT



CAT/PT. No. (CII)
6230-000232

TITLE:-
HOLDER, LIGHT DIFFUSER

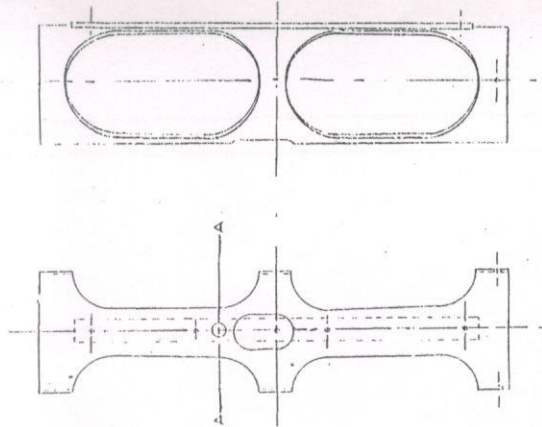
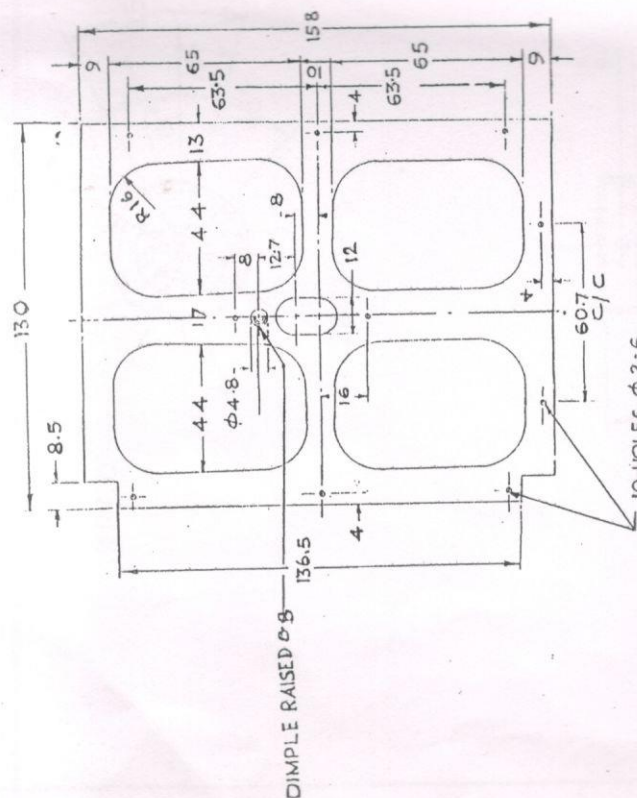
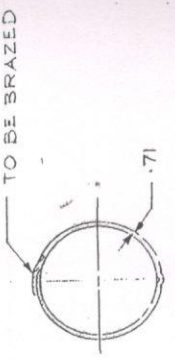
D.C. (1) 2945-1, 5400-1, 5810-1

DRG. REVIEWED & METRICISED BY C.A. (1) DEBAPAN
CHECKED BY: [Signature] FOR OR [Signature]

DATED: 18-12-23

FILING CAB

RELATION OF DIMENSIONS ETC. SEE CQA(I) GUIDE No 001-1552
ANGLE PROJECTION. DIMENSIONS ARE IN mm.



FOR TRADE OFF
Date of Issue: 17/12/2023
H. P. J. J.

CAT/PT. No.
6210-000645

FRAME

C.I.A (F C) 1362	50-
DE TAIL No. 11	31.10.1941
DRAWN / TRACED / CHECKED	FOR C.I.A.
SS- / SS- /	
SCALE: NOT TO SCALE	
MATL: SEE ABOVE	
SEALED: 11.10.41	
SUPPLIER No.:	
DATE	21.12.93
AMENDMENT	
C.A.S.I.N.G., ELECTRICAL EQUIPMENT	
O.S. 14628	
4 SHEETS	

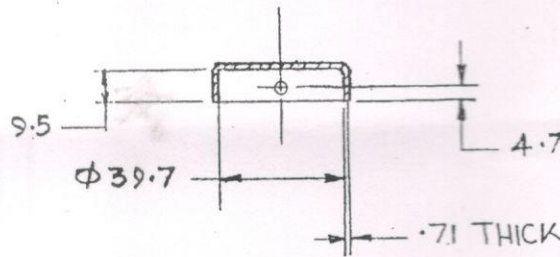
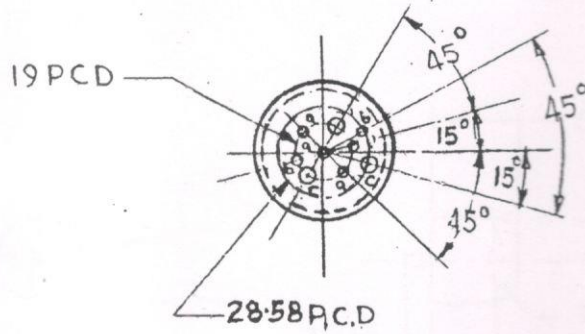
MATL- BRASS, CuZn30, HB OF IS: 410-1577
(THIRD REVISION)
FINISH- PRIMER TO IS: 104-1979 (3rd PRINT MAR'91)
AND THEN APPLY WITH PAINT (ISC-220 OR 225
TO IS: 5-1978) TO IS: 168-1073 EXTERNALLY.

D.C. (I) 2565, 2684-1, 5400-1, 5810-1

DRG. REDUCED & METRICISED AT CQA(I) D. J. DUN
PREPARED BY: [Signature] CHECKED FOR C.A.
DATED: 8-12-93

FOR EXPLANATION OF DIMENSIONING ETC, SEE CQA(I) GUIDENo.001-1992
 THIRD ANGLE PROJECTION DIMENSIONS ARE IN mm.

D.C.(I) 2565-S.2684-I,5400-I,5810-I



FOR TRADE ONLY
 Date of 17/9/2025

17/9/25

- 5 HOLES MARKED 'a' ϕ 2.6
- 3 HOLES MARKED 'b' ϕ 3.2
- 3 HOLES MARKED 'c' ϕ 4

CAP(LOWER)

MATL:- BRASS CUZn 30 HB OF IS: 410-1977 (THIRD REVISION)
 FINISH-PRIMER TO IS: 104-1979 (3rd PRINT MAR'91)

AND THEN APPLY WITH PAINT (ISC-220 OR 225 TO IS: 5-1978) TO IS: 168-1973 EXTERNALLY

CAT/PT. No.
 6210-000645

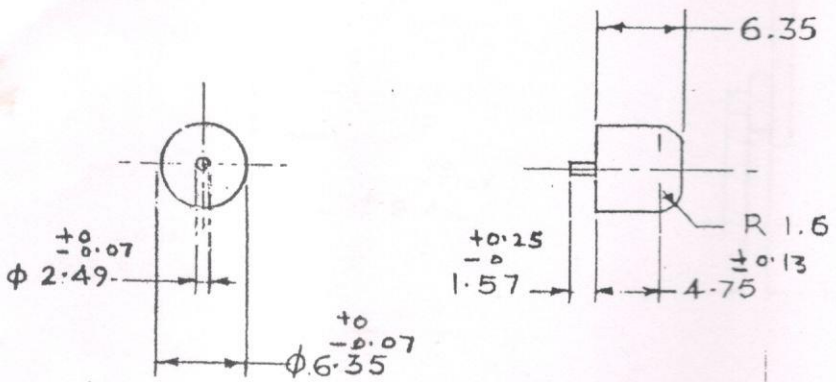
DRG REDUCED & METRICISED AT COA(I) MADUN
 PREPARED BY [Signature]
 CHECKED BY [Signature]
 DATED : 21.12.93
 FOR OM [Signature]

		CIA (F.C) 1362
		DETAIL No. 12 Sd/- 13.10.1941
		DRAWN TRACED CHECKED FOR CIA.
		SCALE :- NOT TO SCALE
D.C.5810-I, METRICISED, UPDATED & REDUCED DRG SEALED IN SUPERSESSION OF EXISTING ONE	21.12.93	MATL! - SEE ABOVE
AMENDMENTS	DATE	SEALED 14.10.41
CASING, ELECTRICAL EQUIPMENT		SUPPLIER'S No.
		O.S 14628
		4 SHEETS
		SHEET 2

19

OR EXPLANATION OF DIMENSIONING, ETC, SEE CQA(I) GUIDE No. 001-1992
 THIRD ANGLE PROJECTION. DIMENSIONS ARE IN MM

D.C.(1):-25(-)S,2684-I,5400-I,5810-I



FOR TRADE OFFM
 Date of 17/12/2024

1745

MATL.
 BRASS ROD, Gde 1, HB OF IS: 319-1989

LOCATING STUD

FINISH- PRIMER TO IS: 104-1979 (3rd PRINT MAR 91)
 AND THEN APPLY WITH PAINT (ISC-220 OR 225
 TO IS: 5-1978) TO IS: 168-1973 EXTERNALLY

CAT/PT No.
 6210-000645

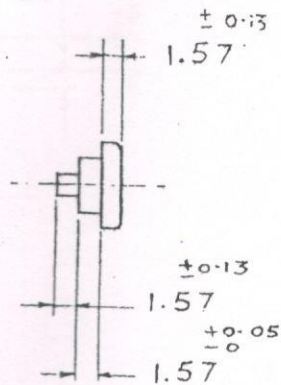
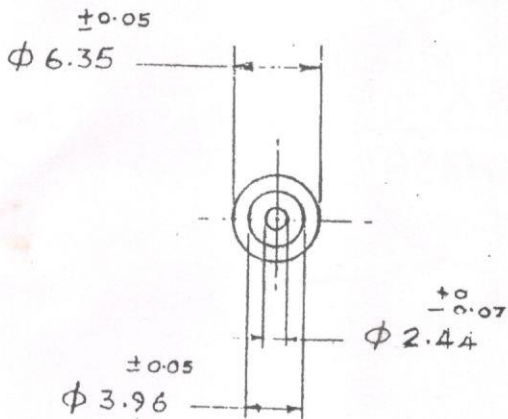
DRG. REDUCED & METRICISED AT CQA(I) DEHPADUN
 PREPARED BY: -
 CHECKED BY: -
 FOR QM
 DATED: - 8.12.93

		CIA (F.C) 1362 DETAIL No. 13	sd/- 31.10.1941.
		DRAWN sd/-	TRACED sd/-
		CHECKED sd/-	for C.I.A
		SCALE :- NOT TO SCALE	
		MATL. (a) SEE ABOVE	
		SEALED:- 14.10.41	
AMENDMENT	DATE	SUPPLIER'S No.	
CASING, ELECTRICAL EQUIPMENT ^(b)		O.S 14628	
		4 SHEETS	SHEET 3

20

FOR EXPLANATION OF DIMENSIONING, ETC, SEE CQA(I) GUIDE No. 001-1992
THIRD ANGLE PROJECTION. DIMENSIONS ARE IN MM.

D.C.(1)2(5-5,2634-I, 5400-I, 5810-I



FOR TRADE OFF
Date of 17/12/2023

H.P.J.

MATL- BRASS ROD, Gd 1, HB, OF IS: 319-1989
FINISH- PRIMER TO IS:104-1979 (3rd PRINT MAR'91)
AND THEN APPLY WITH PAINT(15C-220
OR 225 TO IS:5-1978) TO IS:168-1973
EXTERNALLY.

4-OFF

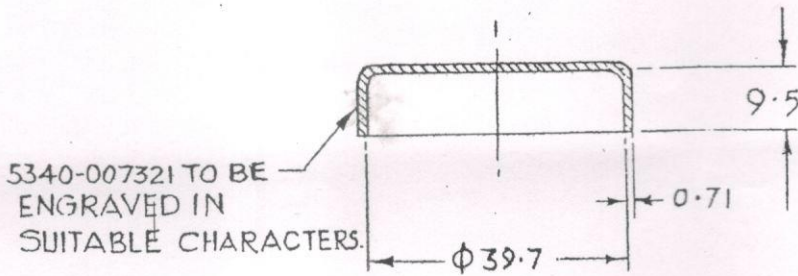
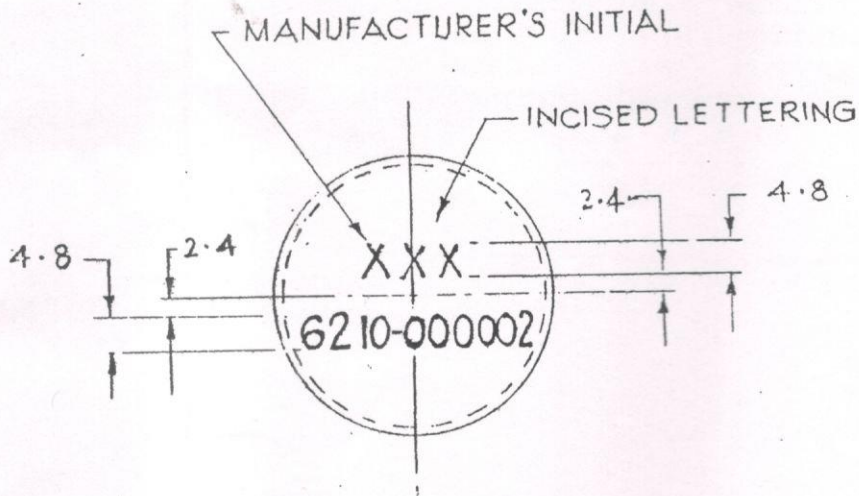
FLANGED STUD

CAT/PT No.
6210-000645

		CIA(FC) 1362	Sd-
		DETAIL No. 14	31.10.1941
DRAWN	TRACED	CHECKED	FOR CIA
Sd-	Sd-		
SCALE- 2:1		MATERIAL- SEE ABOVE	
D.C.5810-I, METRICISED, UPDATED & REDUCED DRG SEALED IN SUPERSESSION OF EXISTING ONE		SEALED- 14.10.41	
AMENDMENT		SUPPLIER'S No.	
DATE		O. S. 14628	
CASING, ELECTRICAL EQUIPMENT		4 SHEETS	
		SHEET 4	

DRG. REDUCED & METRICISED AT CQA(I) DEHRADUN
PREPARED BY: [Signature]
CHECKED BY: [Signature] FOR QM
DATED: - 8.12.23

OR EXPLANATION OF DIMENSIONING ETC; SEE CQA(I) GUIDE No. 001-1992
 THIRD ANGLE PROJECTION. DIMENSION ARE IN mm



FOR TRADE ONLY

Date of Issue 17/10/2020

Handwritten signature

MATL- BRASS Cu Zn30, HB OF IS:410-1977
 (THIRD REVISION)

FINISH- PRIMER TO IS:104-1979 (3rd PRINT MAR'91)
 AND THEN APPLY WITH PAINT (ISC-220 OR 225
 TO IS:5-1978) TO IS:168-1973 EXTERNALLY

CAT/PT No
 5340-007321

DRG. REDUCED & METRICISED AT CQA(I) DEHRADUN
 PREPARED BY: - [Signature]
 CHECKED BY: - [Signature]
 DATED: - 8-12-93

		CIA (F.C) 1362	
		DETAIL No 15	31-10-1941
DRAWN	TRACED	CHECKED	Sd- FOR CIA
Sd-	Sd-	Sd-	
SCALE: - 1:1			
MATL: - SEE ABOVE			
SEALED: - 14.10.41			
AMENDMENT	SIG	DATE	SUPPLIER'S No
CAP, PROTECTIVE, DUST & MOISTURE, SEAL ^(e)			0.5 14629

22