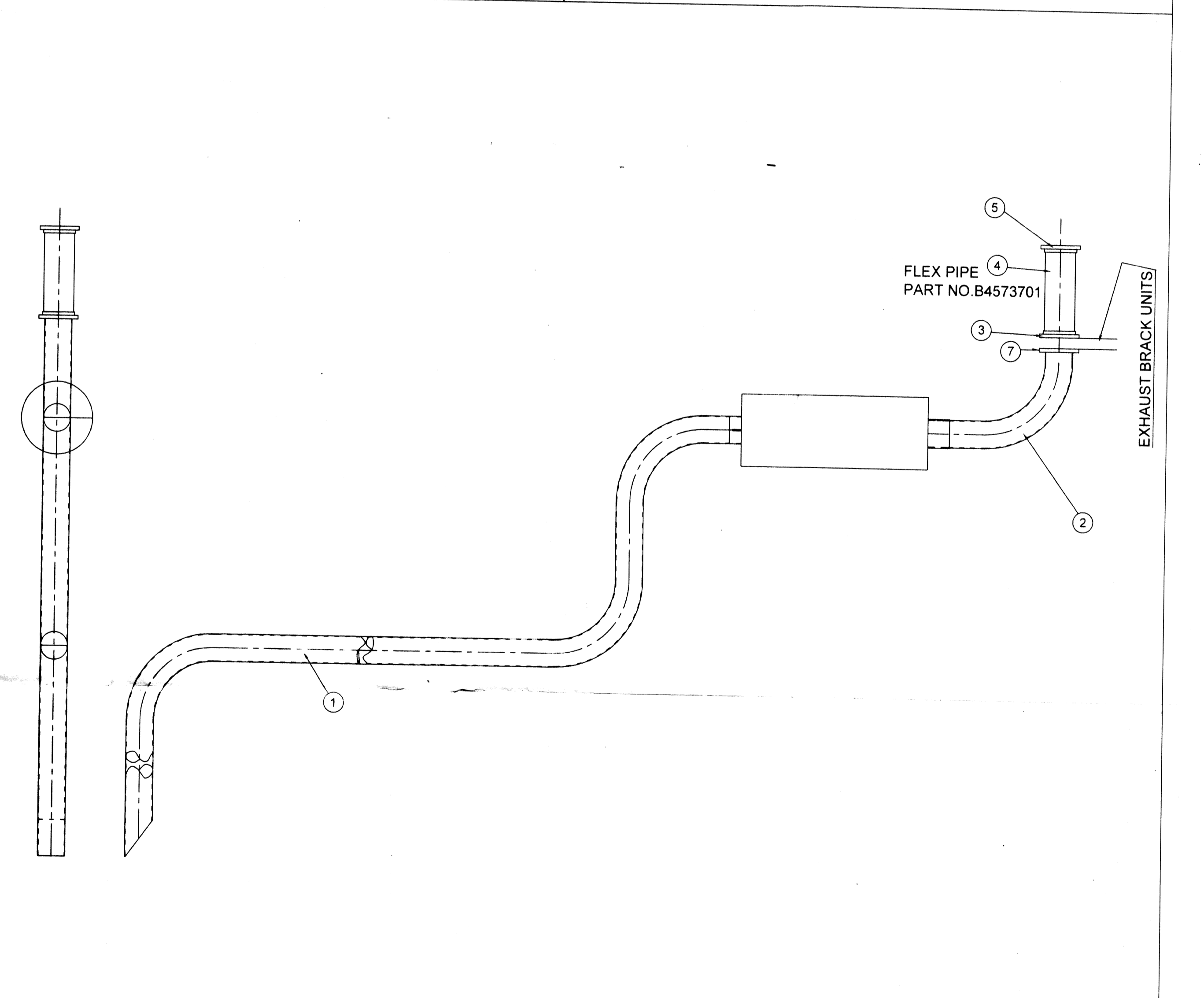
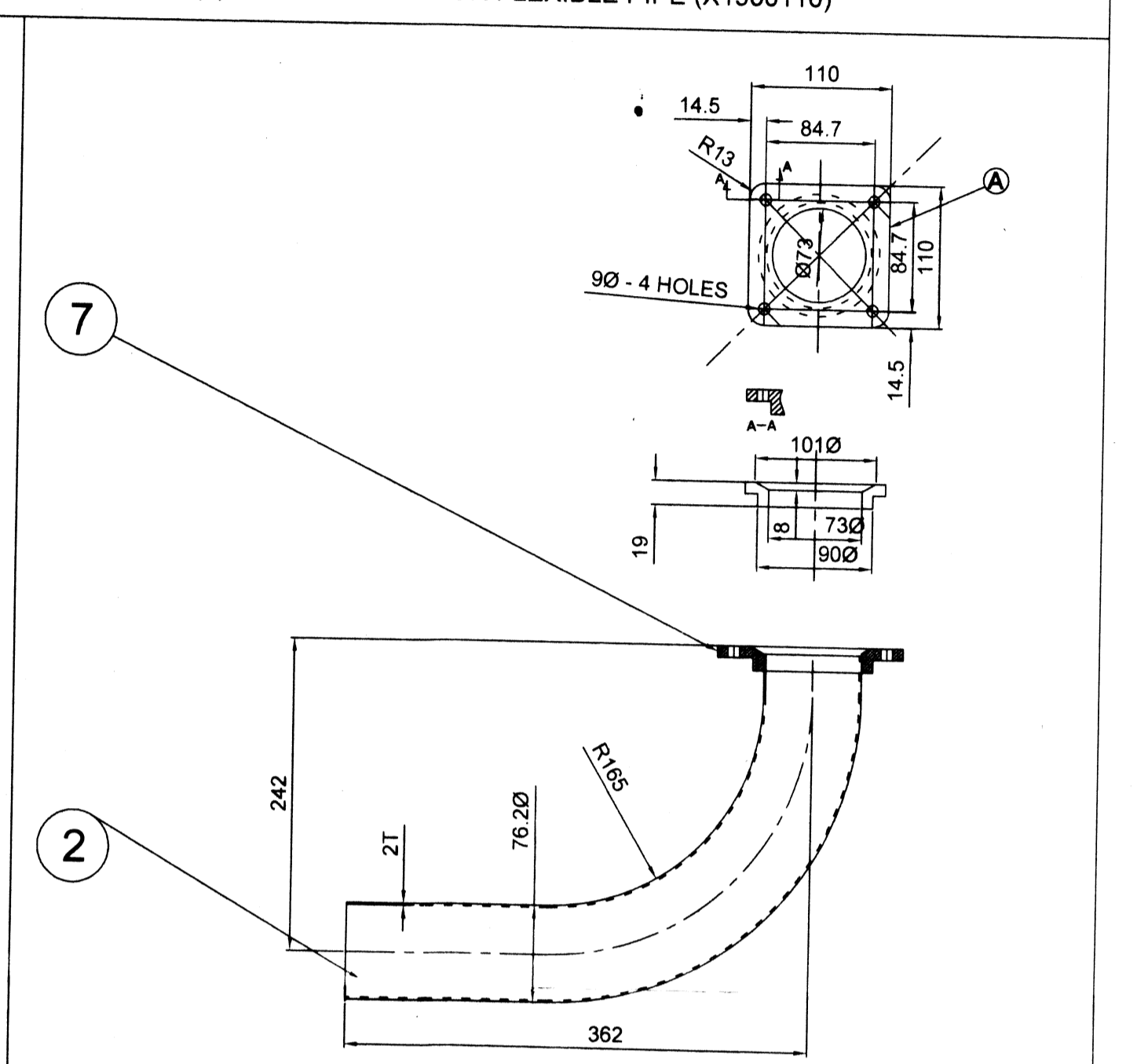
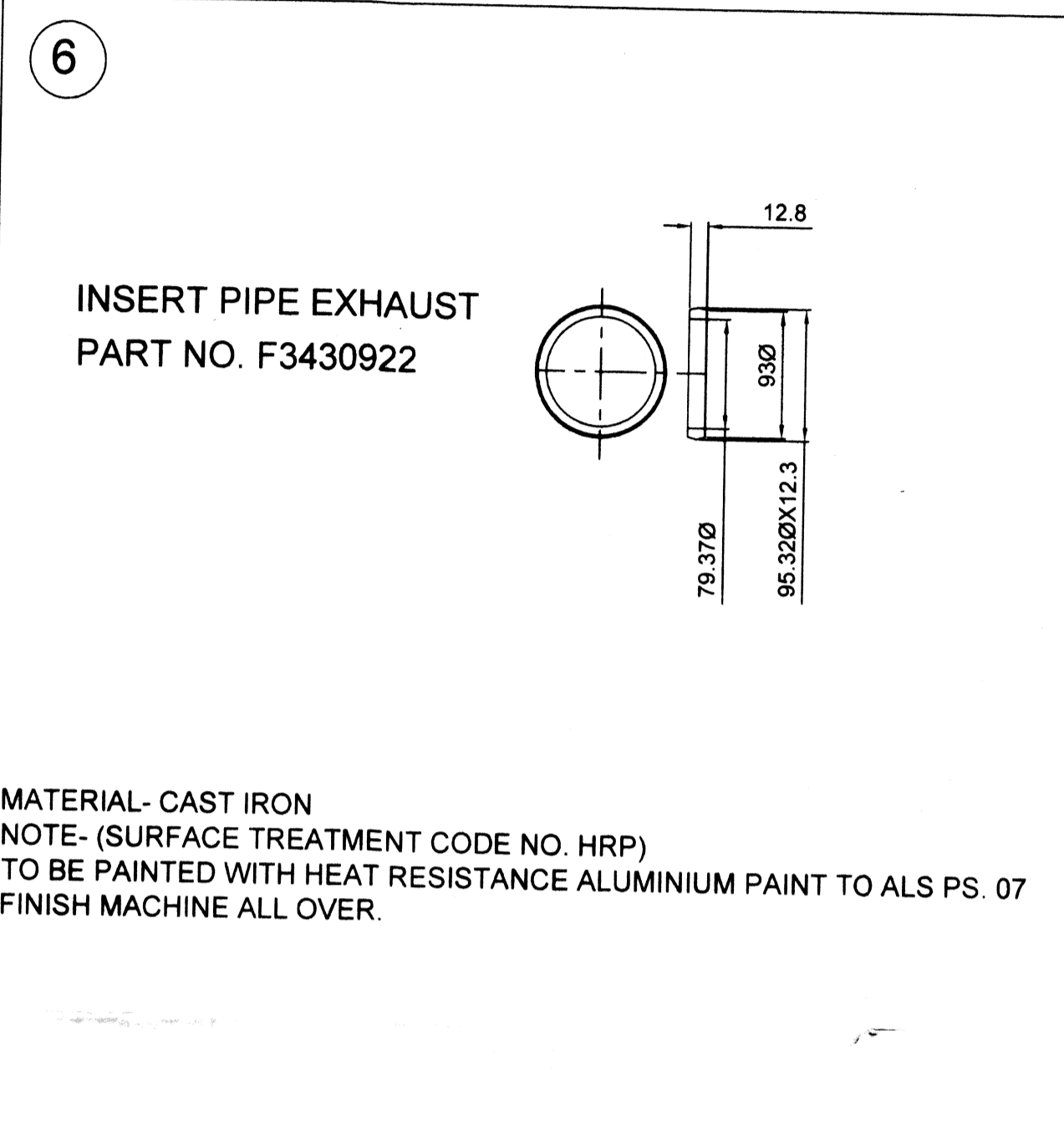
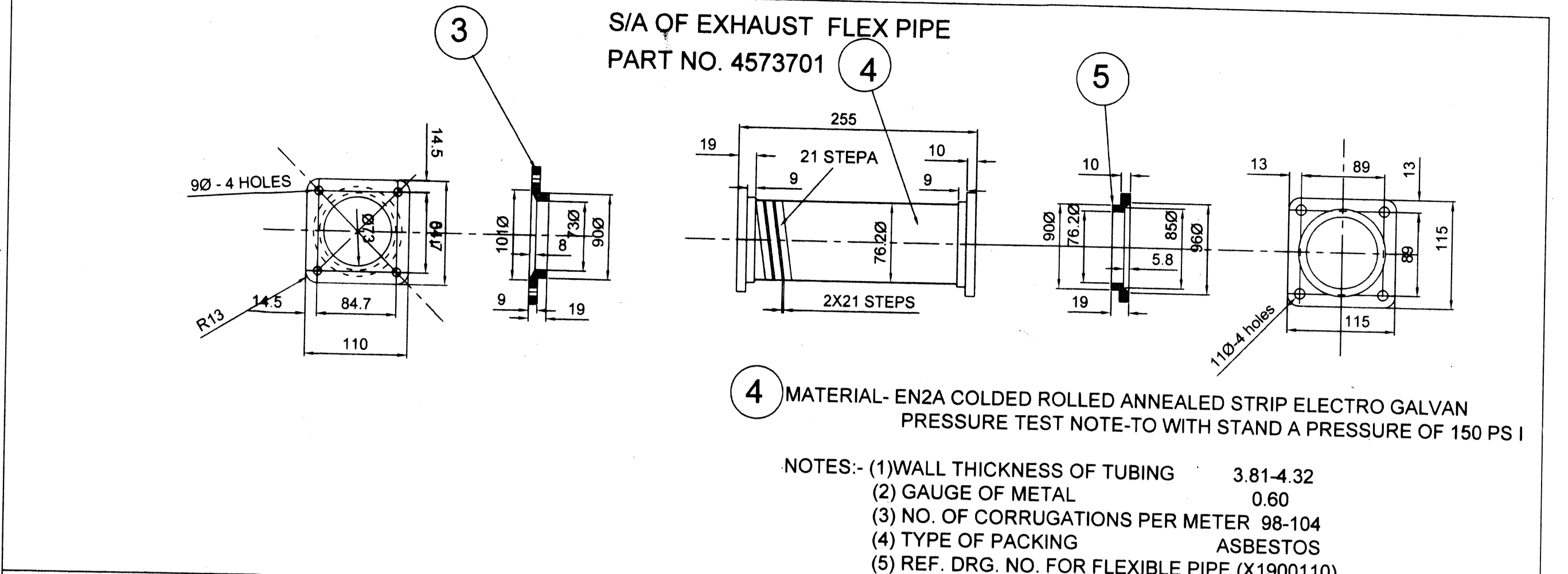


NOTES: (1) TO BE PAINTED WITH HEAT RESISTANCE ALUMINIUM PAINT TO IS-13183 Gr 1
 (2) TWO NUMBER PILOT SAMPLE TO BE APPROVED BY VFJ BEFORE COMMUNICATION OF BULK PRODUCTION



ITEM	DESCRIPTION	NO	MAT.	STD.	SIZE/WT	REMARKS
7	FLANGE	1	DN-HRS 306		110X115X19	X-1401110
6	INSERT PIPE EXHAUST	1	C.I		REF.DRG NO	F-3430922
5	FLANGE	1	DN-HRS 306		115X110X19	
4	FLEX PIPE	1	EN2A COLDDED		REF.DRG NO.	B-4573701
3	FLANGE	1	DN-HRS 306		110X115X19	X-1401110A
2	"U" PIPE	1	IS-3074 ERW-V		76.2X515	
1	TAIL PIPE	1	IS-3074 ERW-V		76.20X 2692	

NOTE :- ALL DIMENSIONS ARE IN M.M.

APPROVED BY
 JWM/SA DGM/SA

INDEX	ALTERATION	DATE	SIGN.	APPD.
1				

U.K.KHARE
 REF.DRG. NO. X-1401110
 SCALE 1:1
 DATE 13-01-2010
 GEN. TOL. GEN. DEMAND NO. 115-01-0006-1 (A)
 VDO VEHICLE FACTORY JABALPUR DRG. NO.