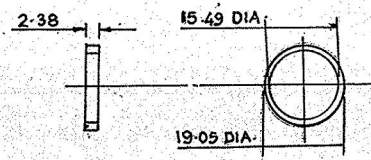


① BODY

MATERIAL: - PHENOLIC MOULDING MATERIALS TO SPECN. BS. 771 PT. 1:1980 Gr. 3 TYPE PF 2A1
 ALT. MATERIAL - PHENOLIC MOULDING MATERIAL Gr. 3 TO SPECN. IS:1300:1966 OR POLYSTYRENE MOULDING MATERIAL TYPE 3 TO SPECN. IS:2267-1972. COLOUR: - BLACK OR BROWN.

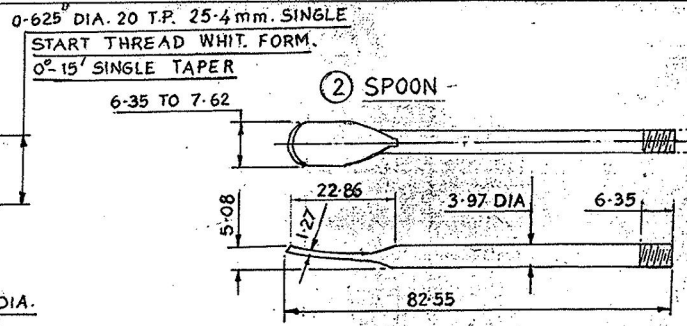


③ WASHER

MATERIAL: LEATHER CDW CURRIED TO SPECN. IS: 580-1973 OR PHENOLIC MOULDING MATERIAL TO SPECN. BS:771 PT.1:1980 GR.& TYPE - PE 2A1 OR PHENOLIC MOULDING MATERIAL GR.3 TO SPECN. IS:1300:1966
 COLOUR: BLACK OR BROWN.

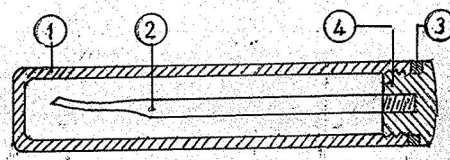
NOTE: TO GOVERN MANUFACTURE AND INSPECTION REFER CQA(SA) SPECN. NO. CISA/163 OF LATEST ISSUE.

DIMENSIONS ARE IN MM.
 INFORMATION MARKED THUS \dagger TO BE MARKED ON.
 UNTOLERATED DIMENSIONS AS PER IS. 2102 (MEDIUM)



② SPOON

MATERIAL: - PHENOLIC MOULDING MATERIALS TO SPECN. BS. 771 PT. 1:1980 Gr. & TYPE PF 2A1
 ALT. MATERIAL - PHENOLIC MOULDING MATERIAL Gr. 3 TO SPECN. IS:1300:1966 OR POLYSTYRENE MOULDING MATERIAL TYPE 3 TO SPECN. IS:2267-1972.

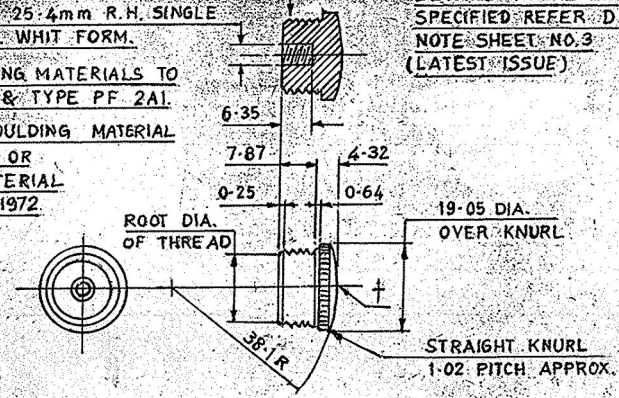


NOTE: - "4" CONTRACTOR'S CODE MARK TO BE MARKED HERE.

MATERIAL: - PHENOLIC MOULDING MATERIALS TO SPECN. BS. 771 PT. 1:1980 Gr. & TYPE PF 2A1
 ALT. MATERIAL: - PHENOLIC MOULDING MATERIAL Gr. 3 TO SPECN. IS:1300:1966 OR POLYSTYRENE MOULDING MATERIAL TYPE 3 TO SPECN. IS:2267-1972.
 COLOUR: - BLACK OR BROWN.

NOTE: - ALTERNATIVELY THE SPOON MAY BE MOULDED WITH STOPPER AS ONE UNIT, AS ALTERNATIVE MATERIAL MS TINNED MAY BE USED.

0.625" DIA. 20 T.P. 25.4mm. R.H. SINGLE START THREAD WHIT. FORM. 0°-15' SINGLE TAPER.
 5/32" DIA. 40 T.P. 25.4mm R.H. SINGLE START THREAD WHIT. FORM.



④ STOPPER

STOPPER ASSY- COMPRISING: SPOON & STOPPER.

FOR EXPLANATION OF DETAILS WHEREVER NOT SPECIFIED REFER DD NOTE SHEET NO. 3 (LATEST ISSUE)

COLOUR: - BLACK OR BROWN.

PART NO.	DESCRIPTIONS	NO OFF	MATERIAL	TREATMENT	REMARKS
	SIGNATURE & DATE TRACED DRAWN P. R. R. R. CHECKED R. P. L. L. D/C/D/D O. S. M. PRON. OFFICER DW. OFFICER DDO.				SUB: OIL BOTTLE FOR: CES OF: 40 mm. UBG L. DES. REF. NO: O.F.T. DRG. NO: 32 P 5005 ORDNANCE FACTORY TIRUCHIRAPALLI-16.
					SCALE NTS STORE DRG. NO. OPERATION NO. SHEETS: 1 SHEET NO. 1
AMENDMENTS	SIG. & DATE				APPROVED ON 28/3/08