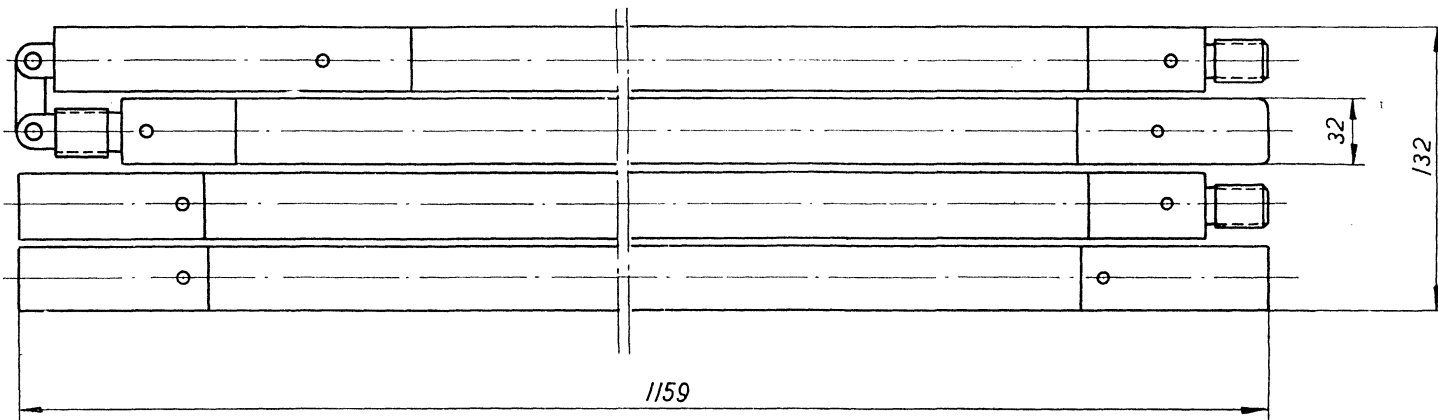
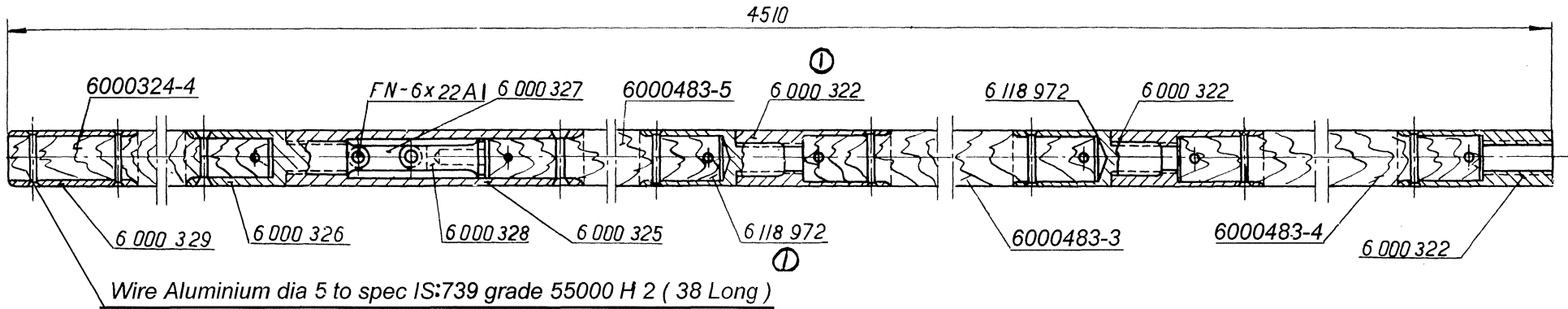


FOR EXPLANATION OF DIMENSIONING ETC, SEE CI ARM NOTE SHT No. 1  
 FIRST ANGLE PROJECTION DIMENSIONS ARE IN mm



25-1-11	SCANNED & PRINTED WITHOUT CHANGE			
DATE	AUTHORITY	AMENDMENTS	SIG AHSP	SIG DO
PREV DCs : 9129-W,14635-W,15291-W & 18883-W DT 29-9-04				
DRG SEALED PROV :- 9129-W DT 22-11-63	SCANNED	PKA	CHECKED	HOS
<b>CQA(W). JABALPUR</b>				

\* टूल्स एंड एक्सेसरीज  
 राड, बोर क्लीनिंग ब्रश

13-679			
40 MM AA GUN L/70 Tools and Accessories Rod, bore cleaning brush.			112
Prod	17-1-64	1:25	5054271
Eis			
AKHIL BOLA GET BOPORS			