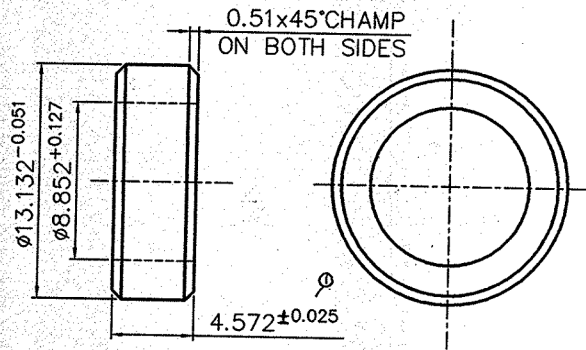


DIMENSIONS ARE IN mm.  
 UNTOLERATED DIMNS. AS PER IS : 2102 (MED)

1.6



MATERIAL: STEEL BS 970 PT.1 SEC. 2 Gr.080 M40  
 (NOTE: WHITE FINISHED BLANK FOR  
 ICR Nos 1250,1577,1578,1579 & 1580)

PART NO.	DESCRIPTIONS	NO OFF	MATERIAL	TREATMENT	REMARKS
⊕	SIGNATURE & DATE.	SUB: WHITE FINISHED BLANK		SCALE NTS	
TRACED		FOR: WASHER POSITIONING FLASH ELIMINATOR		STORE DRG.NO. ICR 1250, ICR 1577 TO ICR 1580	
DRAWN	<i>R. Ramkrishna</i>	OF: RIFLE 7.62mm 1A1		OPERATION NO.	
CHECKED	<i>Anil</i>	DES. REF. NO.		-	
OIC/D&DO	<i>Jayadev</i>	DRG. No.: TEND 1939*		-	
OFFICER/PRODN.		ORDNANCE FACTORY TIRUCHIRAPPALLI-16.		SHEETS: 1	
OFFICER/D&DO				SHEET No.: 1	
AMENDMENTS	SIG. & DATE	APPROVED ON: 02/07			

DA NO. 8981/21A/07R  
 01.11.07  
 01/11/07

Ref. Layout ICR 1250 to 1580

Dim. 4.572 ± 0.025 amended to 4.572 ± 0.025